

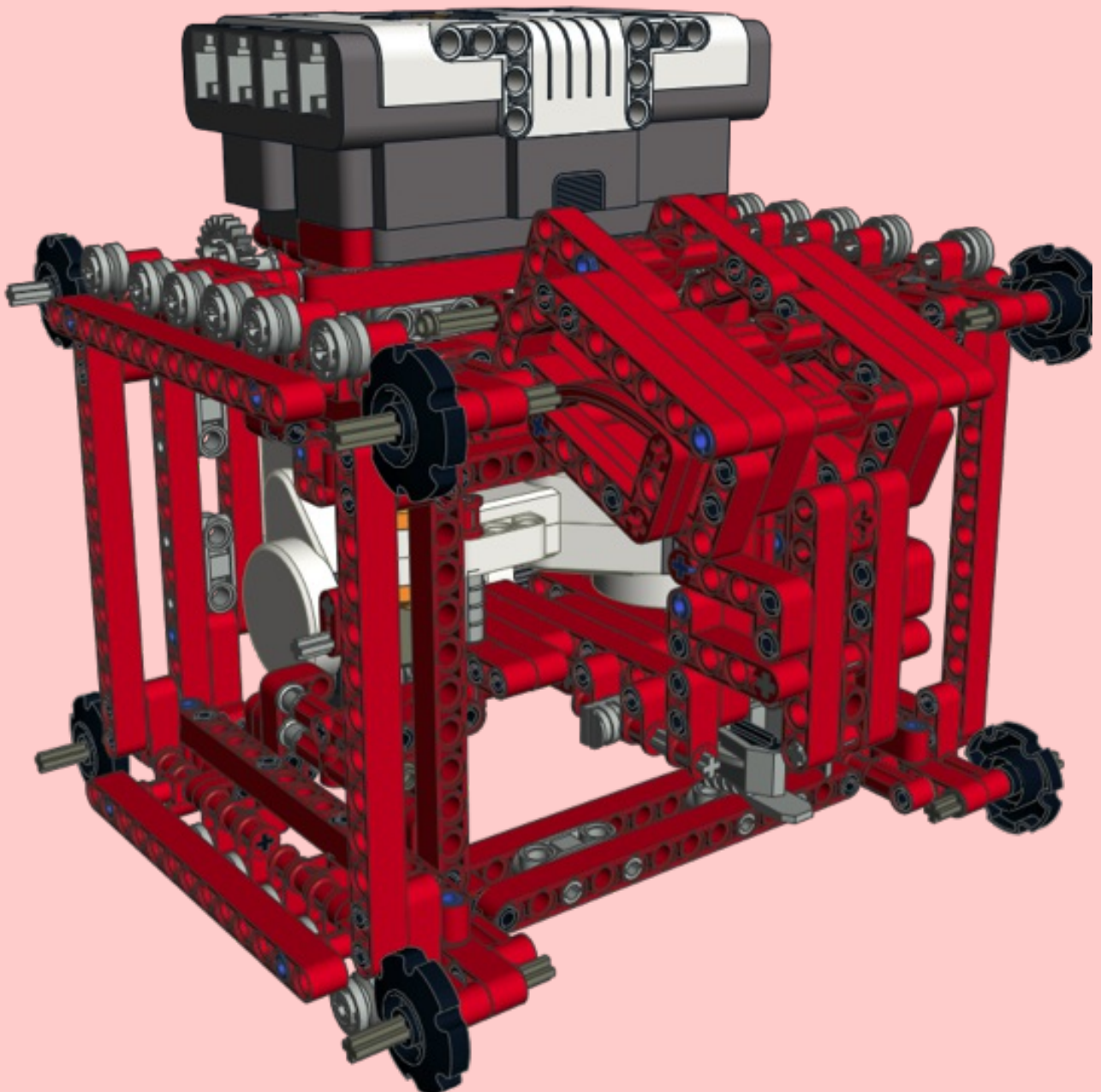
Lego Queboid Shooter

By Mark Crosbie

© Copyright 2011 Mark Crosbie

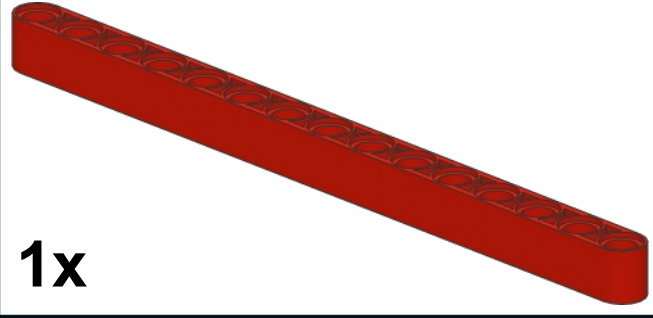
mark@mastincrosbie.com

http://www.mastincrosbie.com/Marks_LEGO_projects/LEGO_Projects.html



1

15



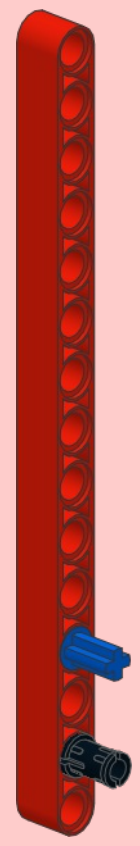
1x

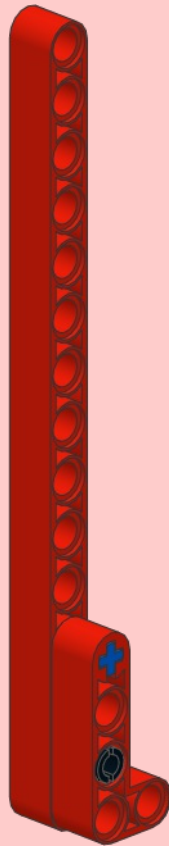
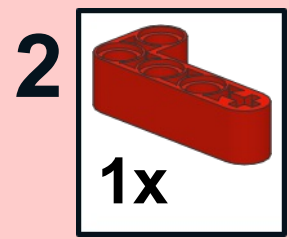


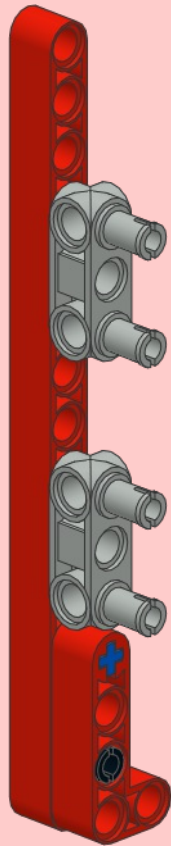
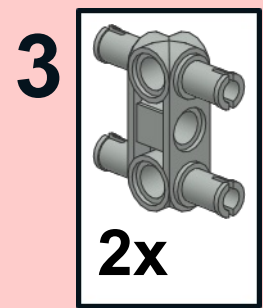
1x



1x



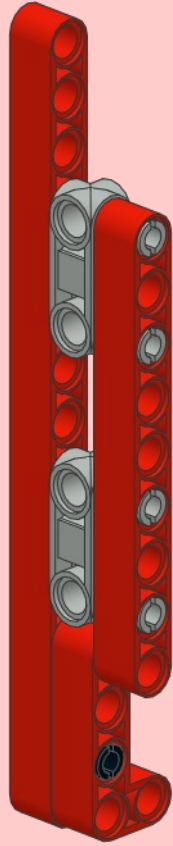
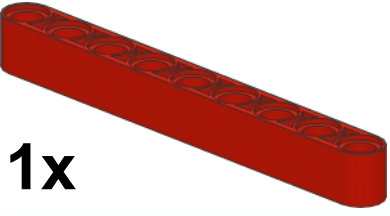





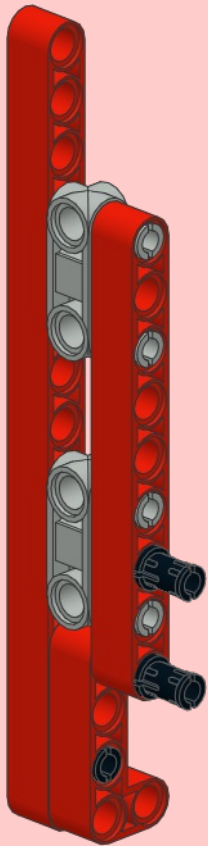
4

9

1x



5  2x



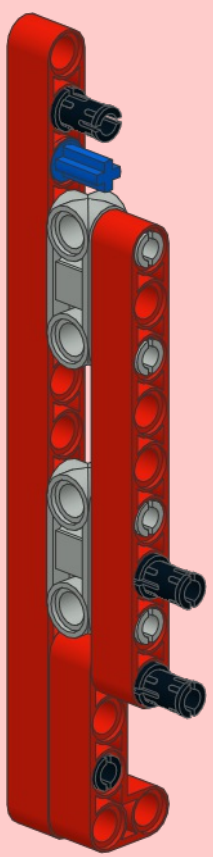
6



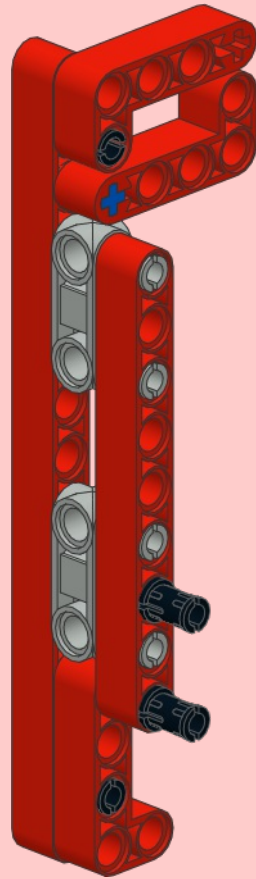
1x



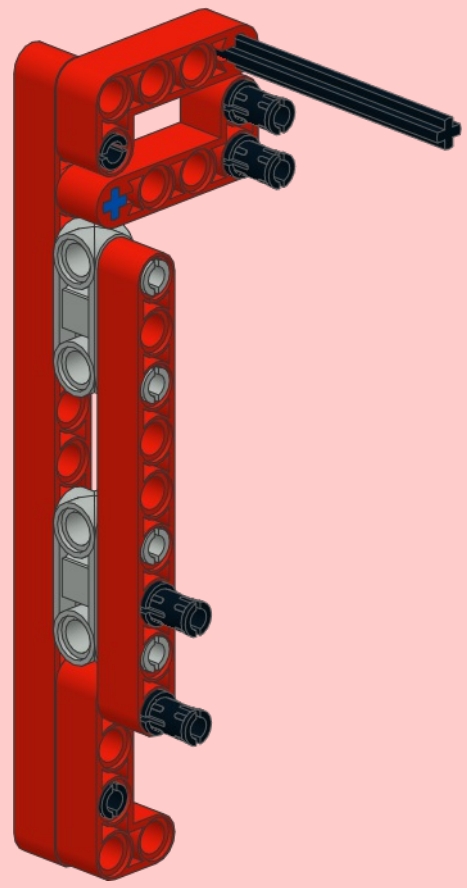
1x

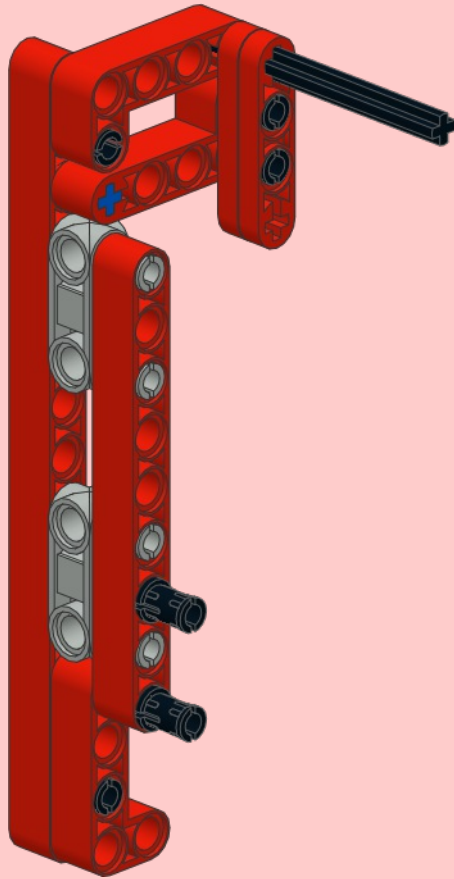
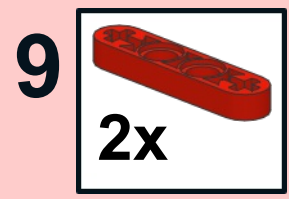


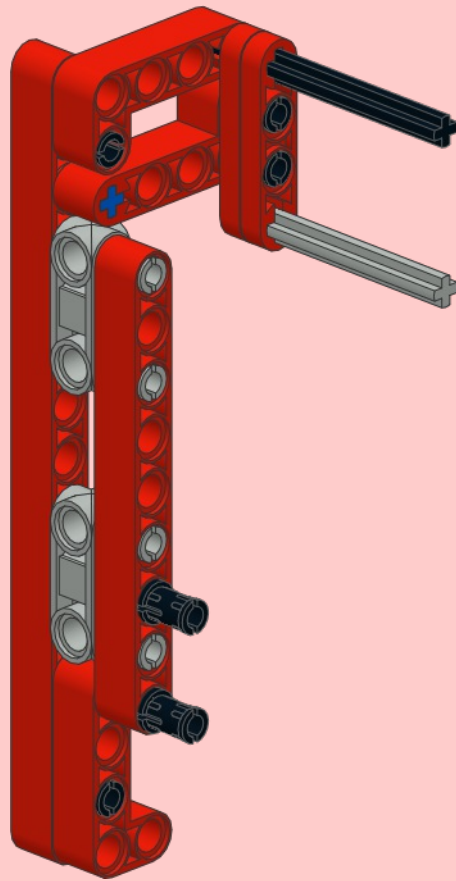
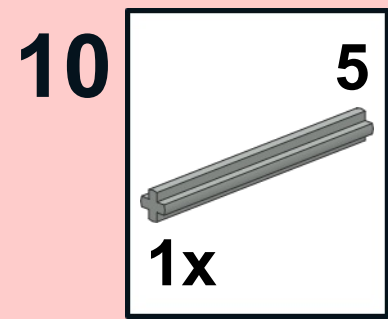
7



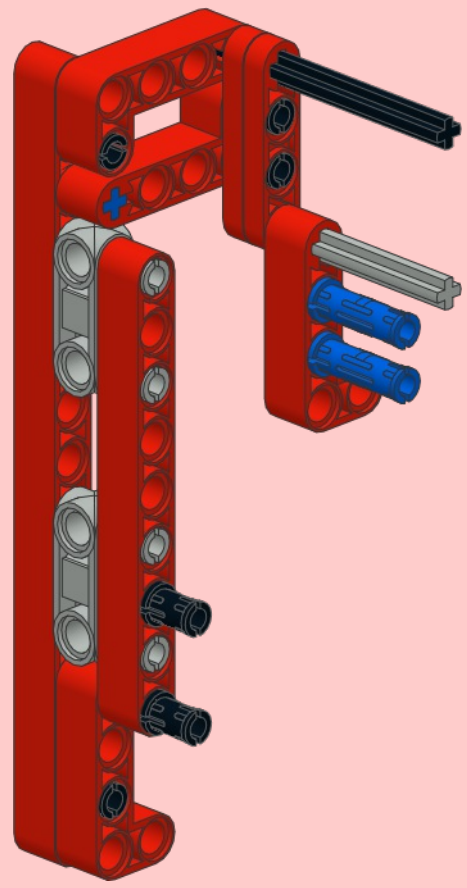
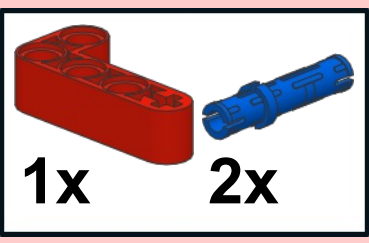
8



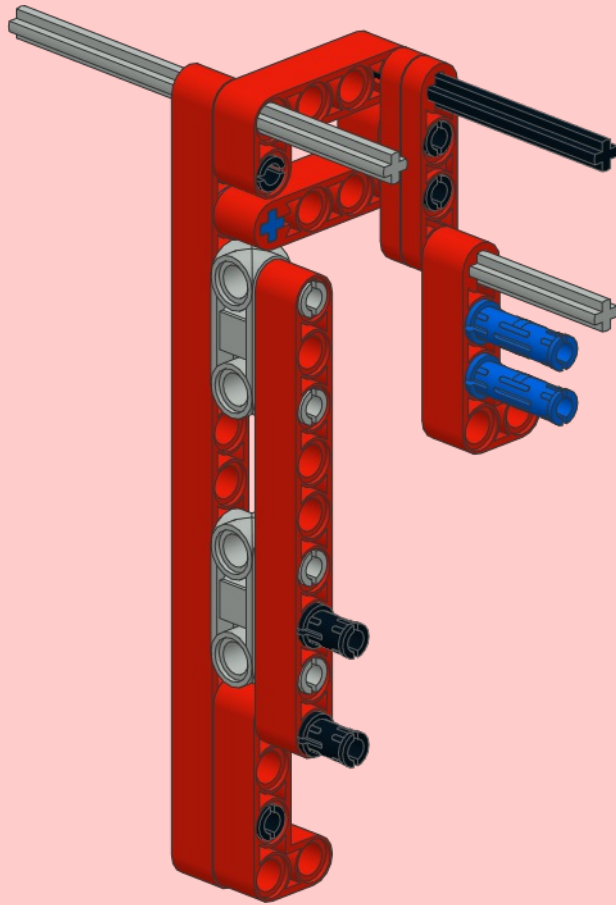
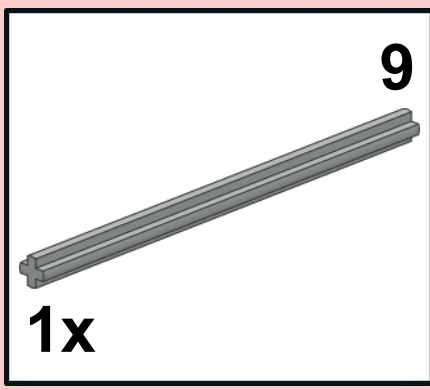




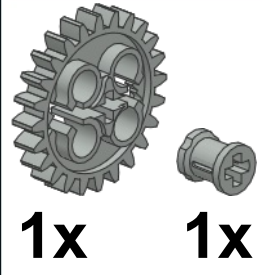
11



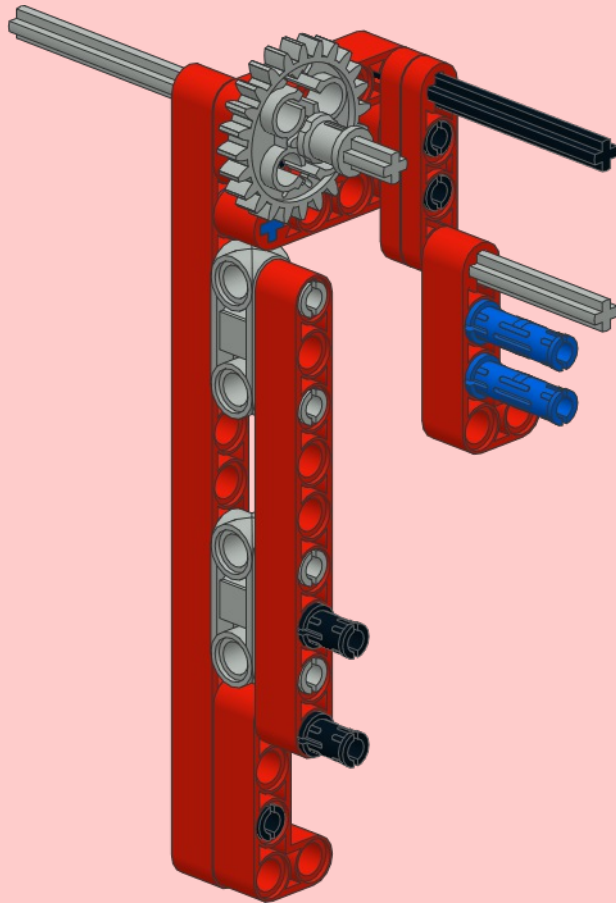
12




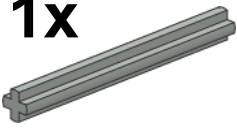
13

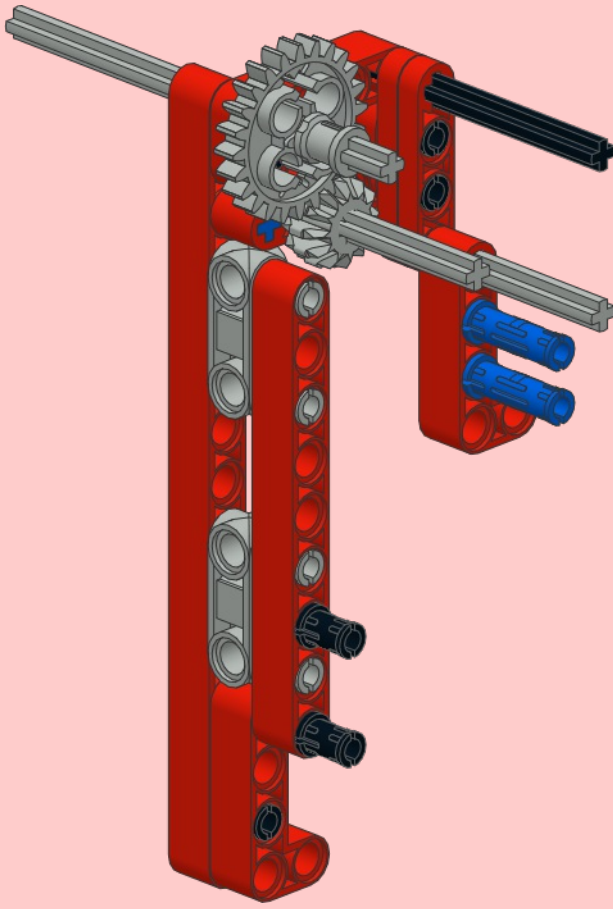


1x **1x**

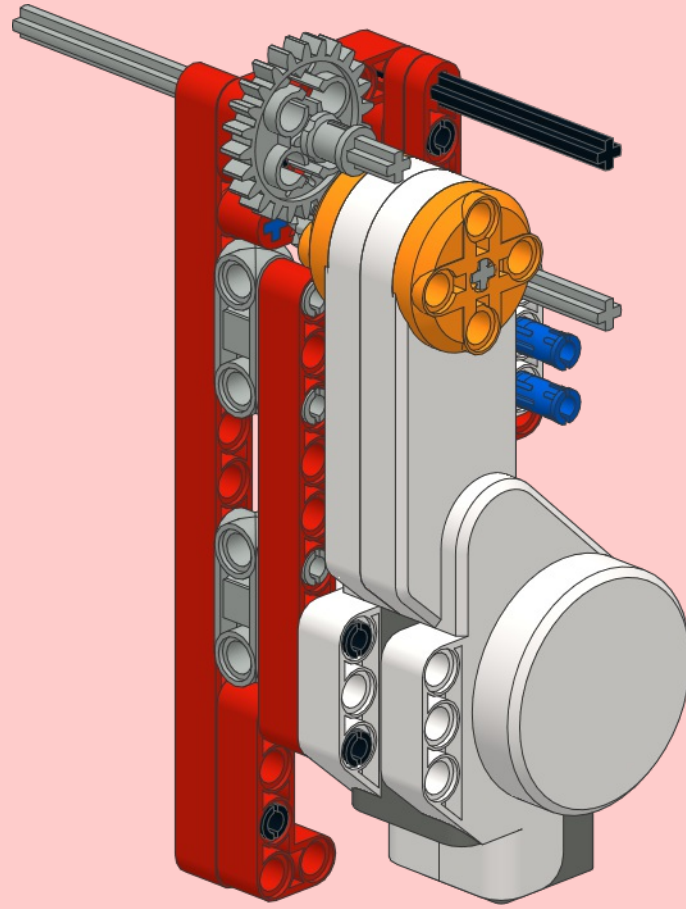
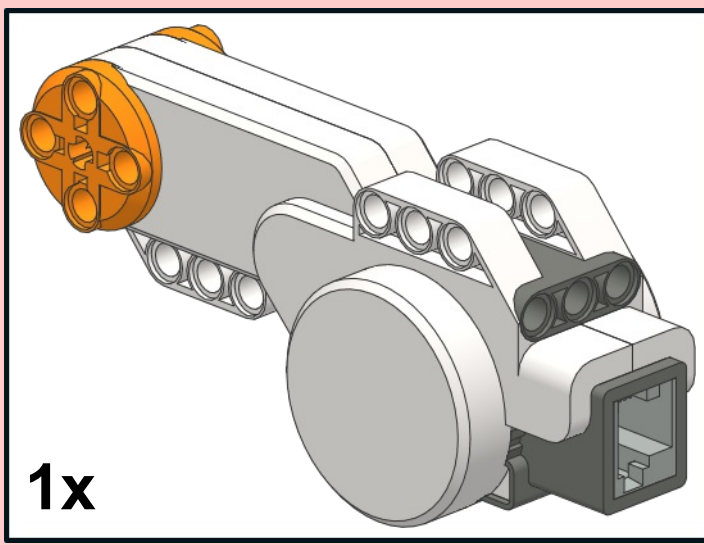



14

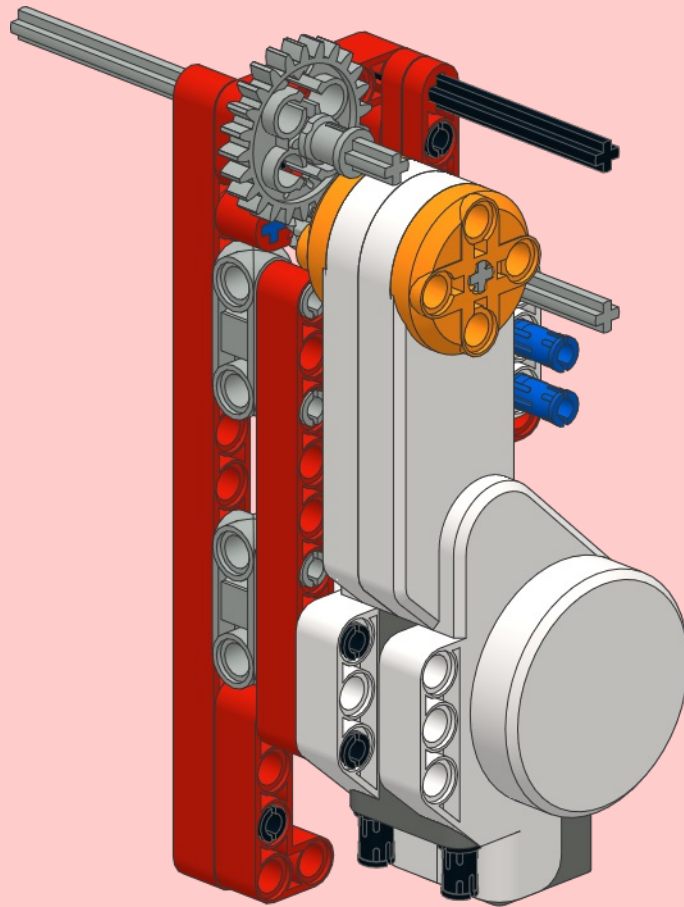
1x  5
1x 



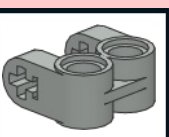
15



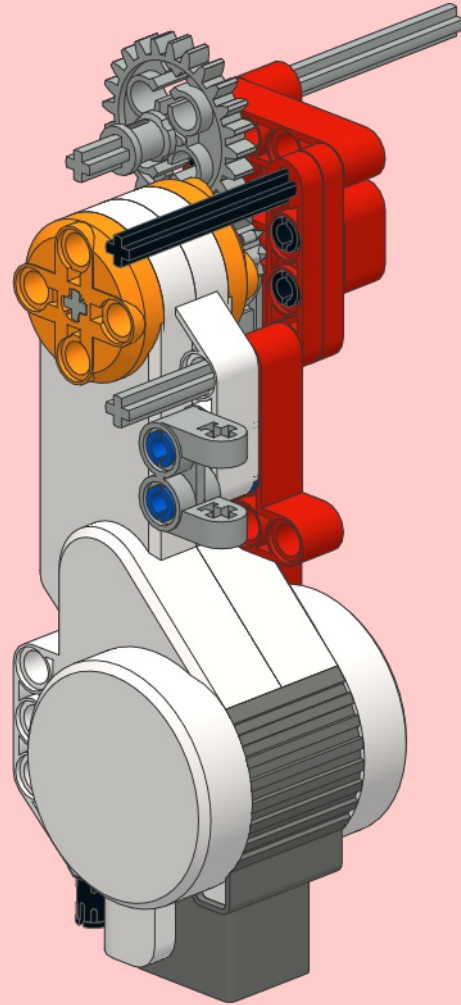
16  2x



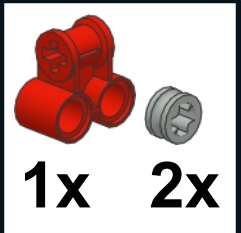
17



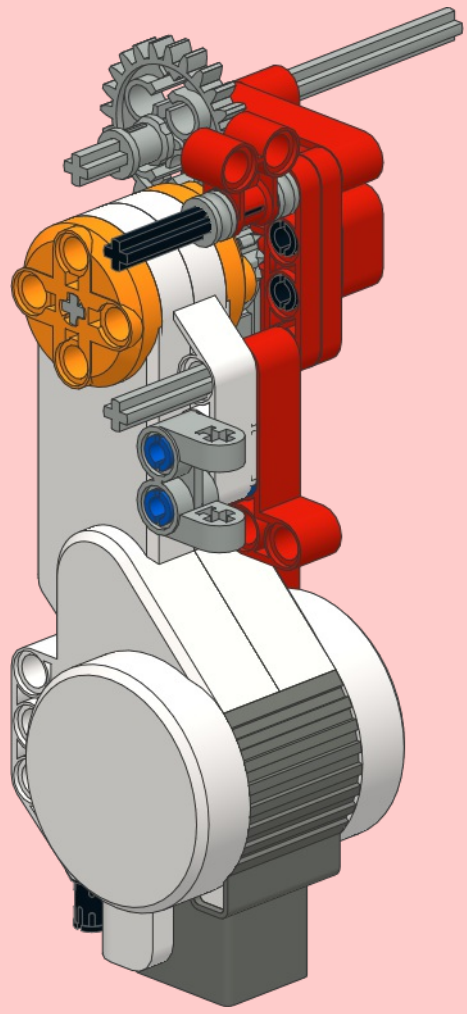
1x




18




1x **2x**



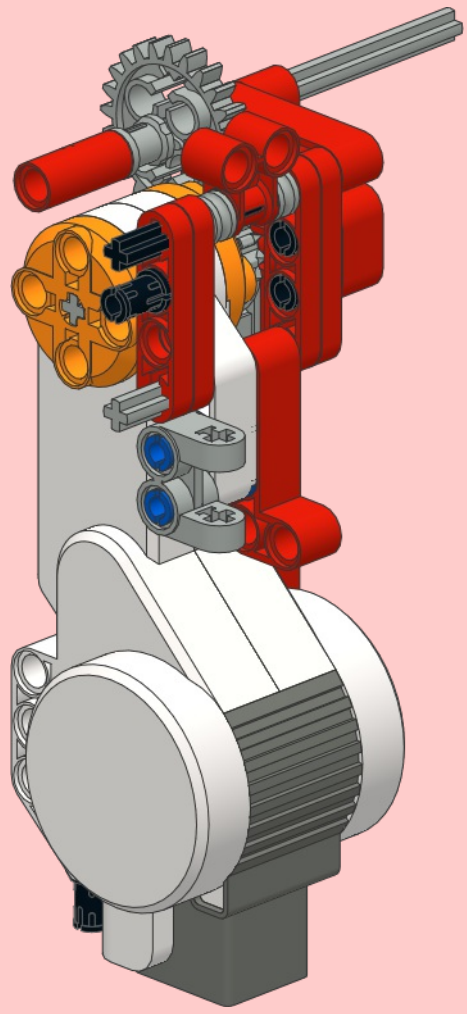
20

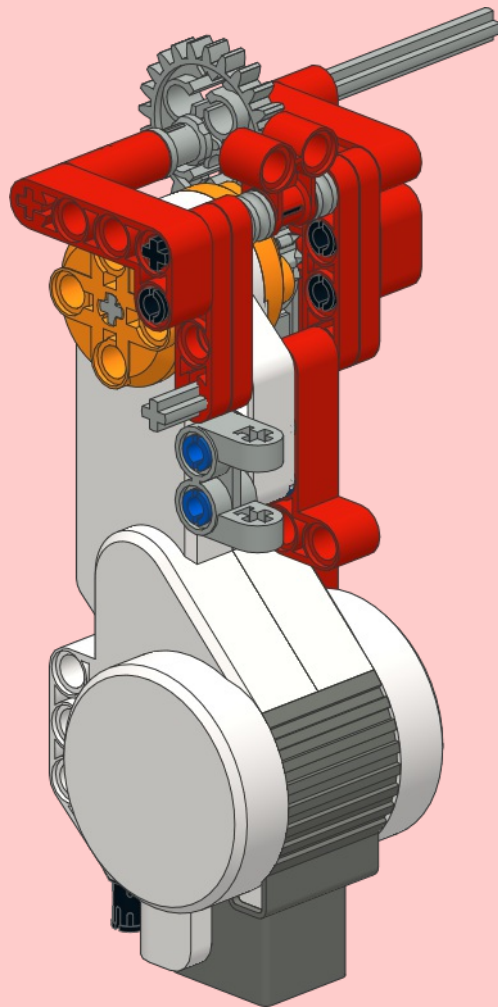
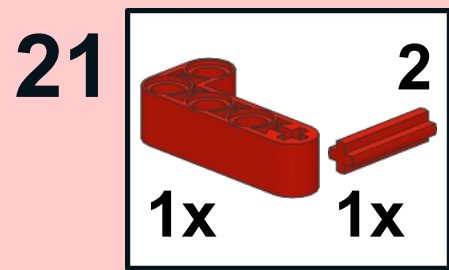


1x




1x

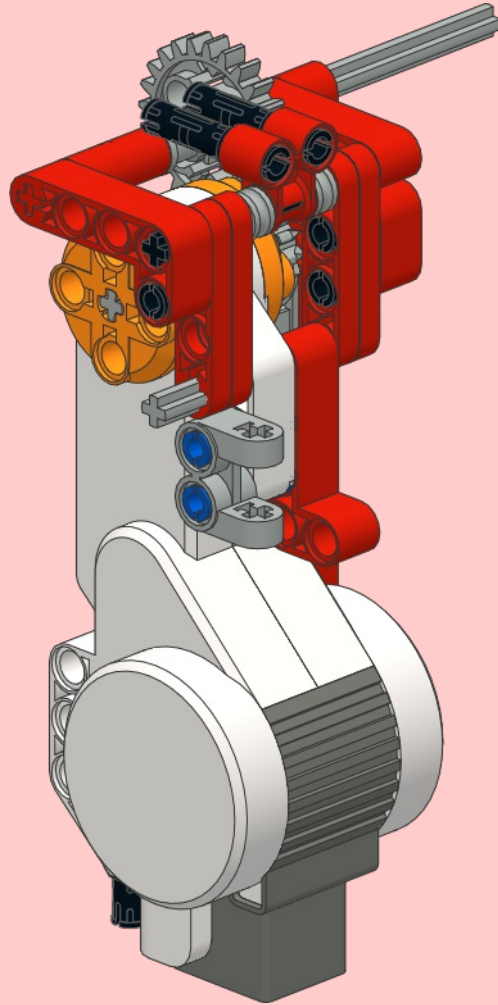




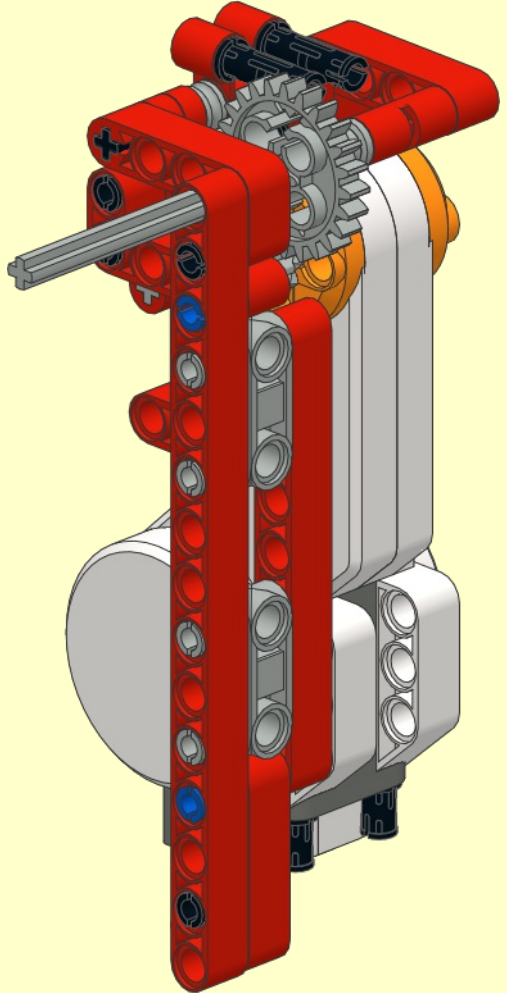
22



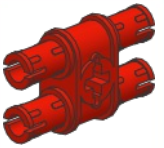
2x



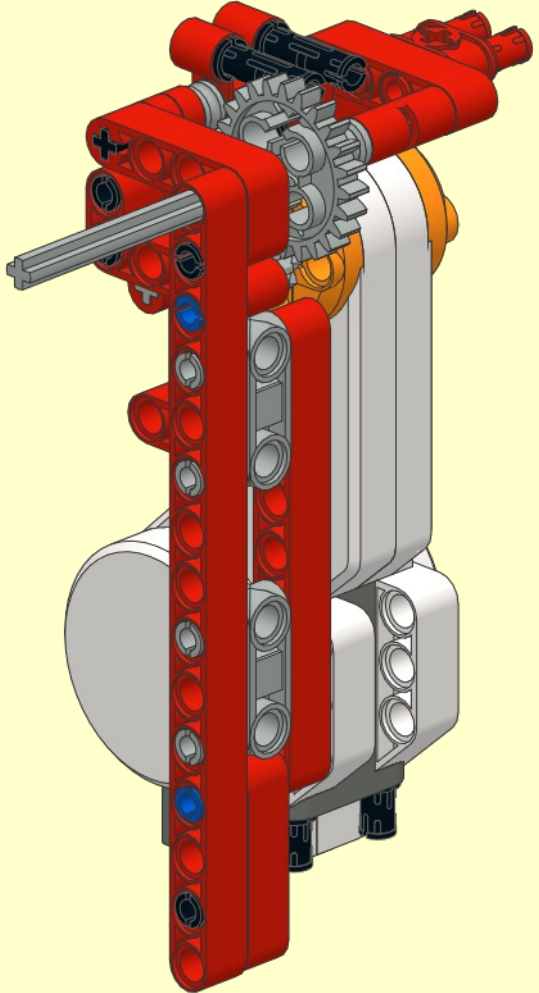
1



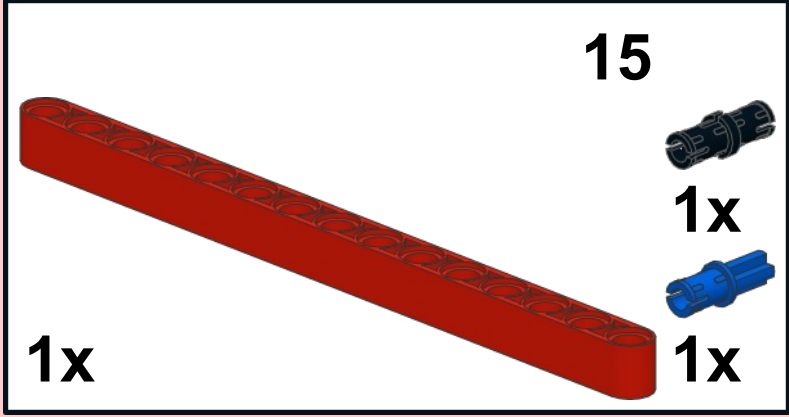
2

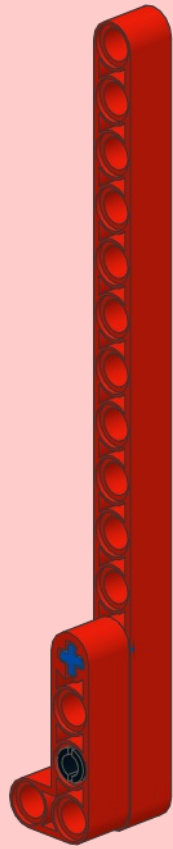
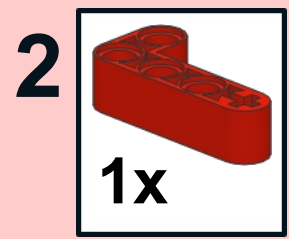


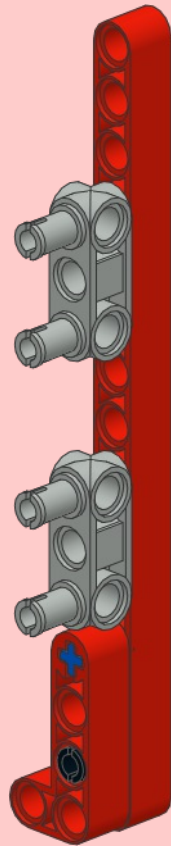
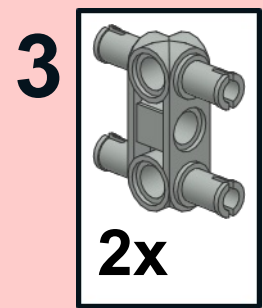
1x



1



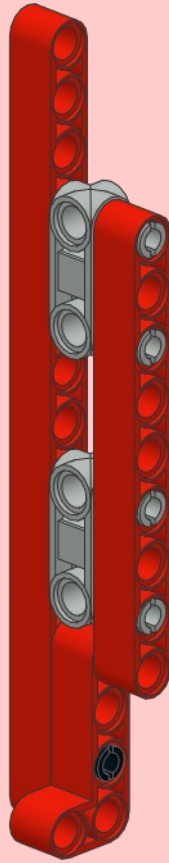
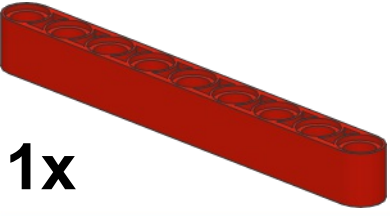





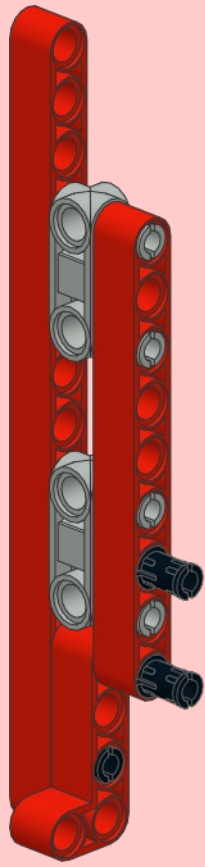
4

9

1x



5  2x



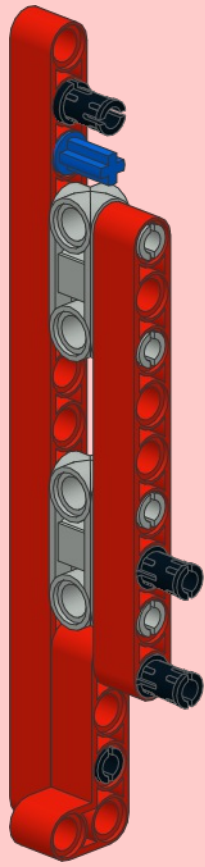
6



1x



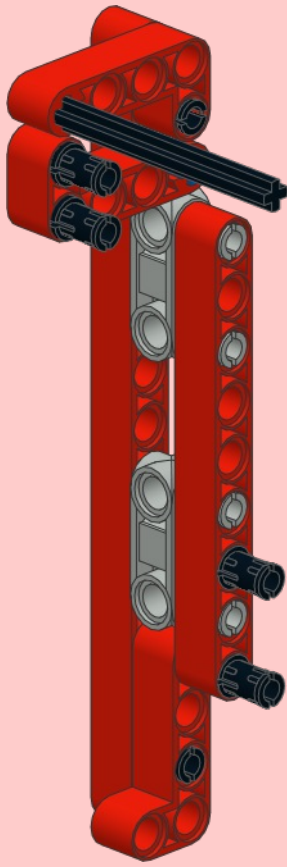
1x

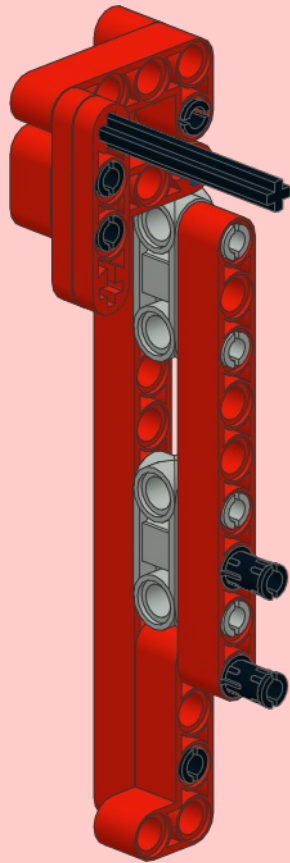


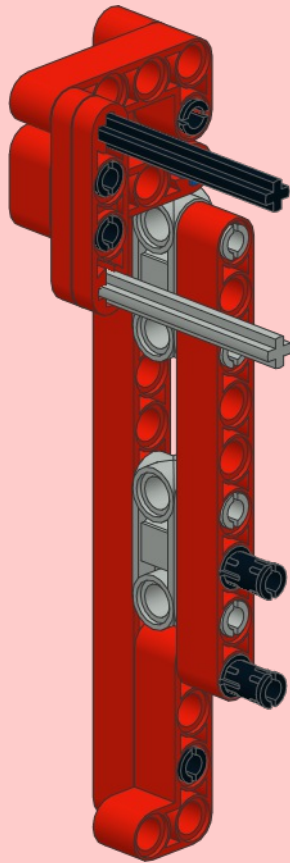
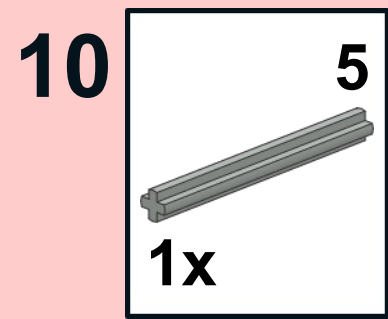
7



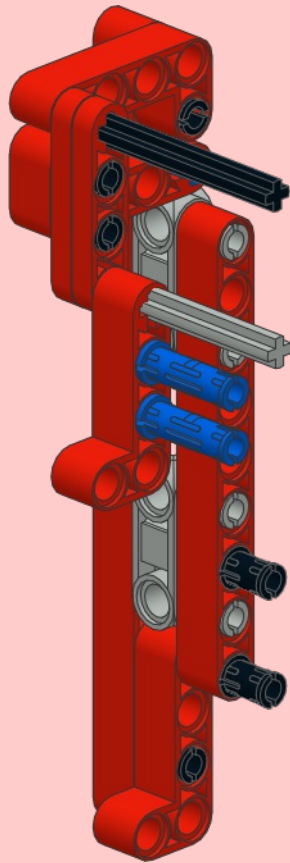
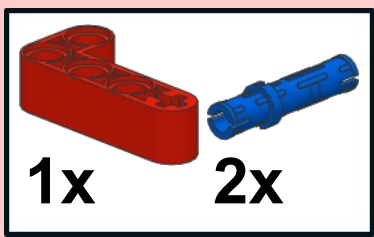
8







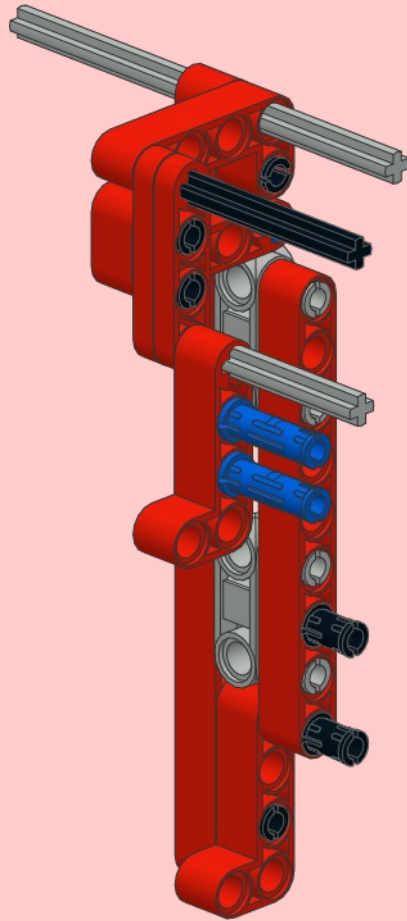
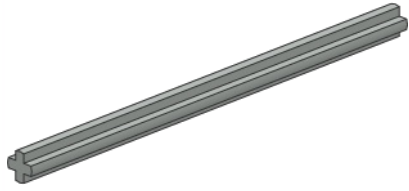
11



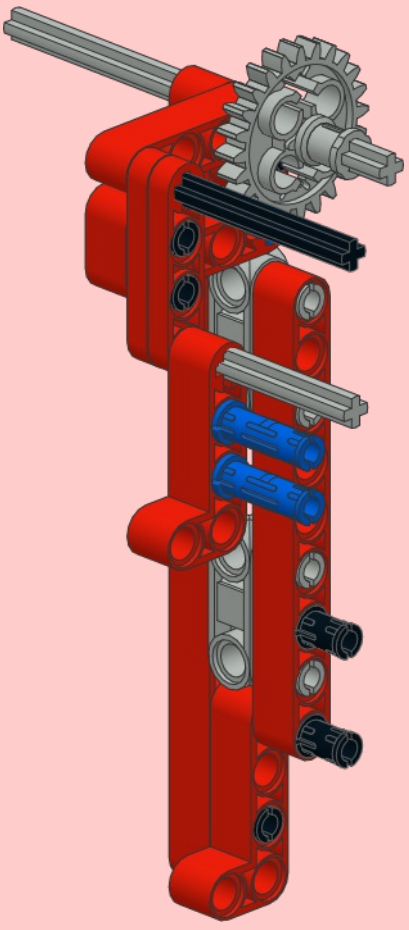
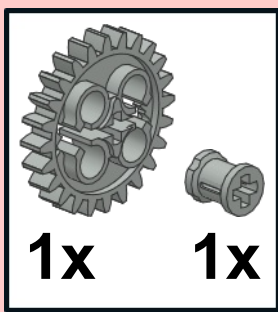
12

9

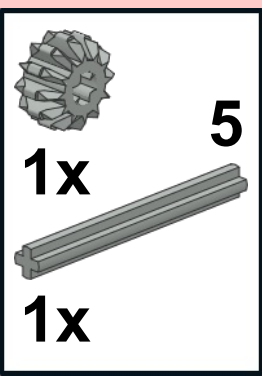
1x



13



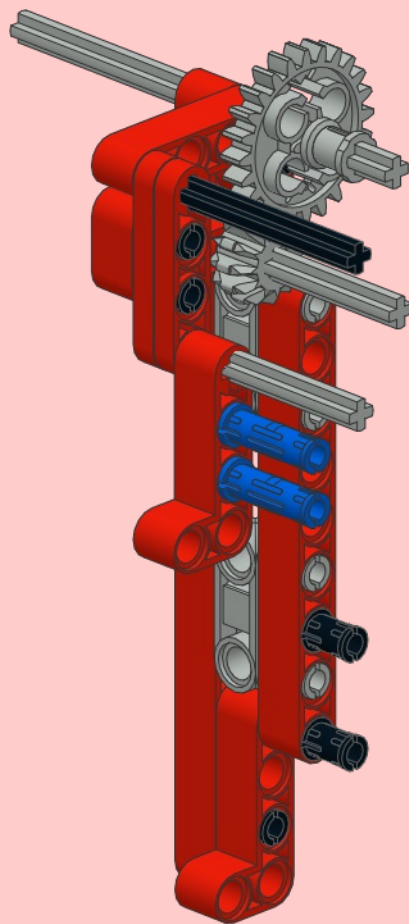
14



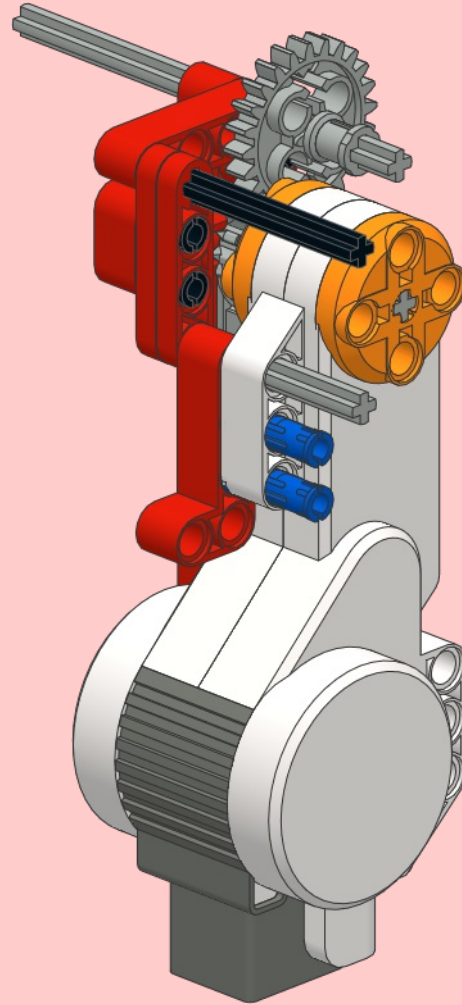
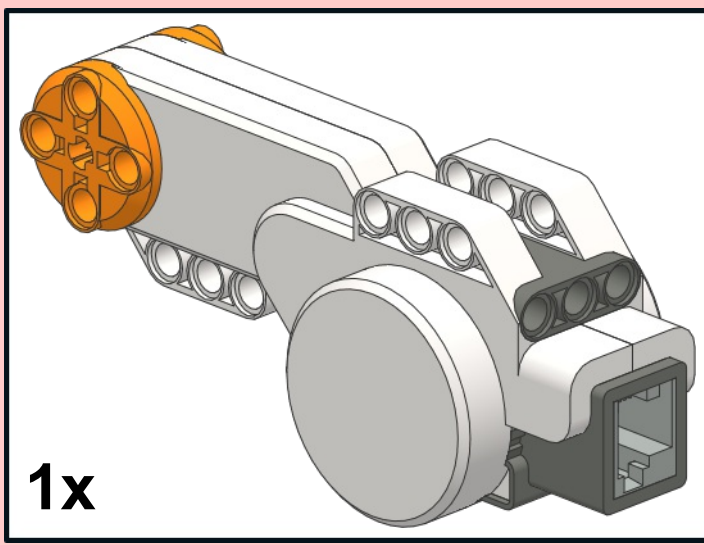
1x


5

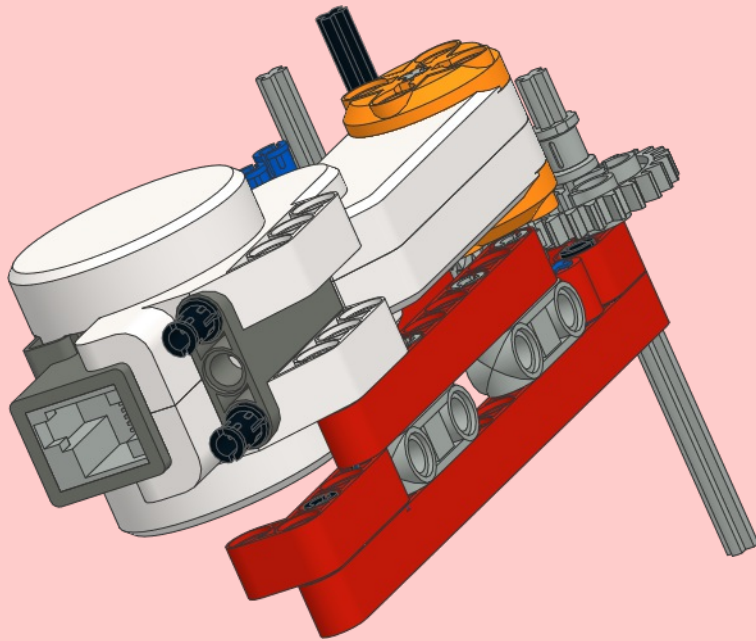
1x



15



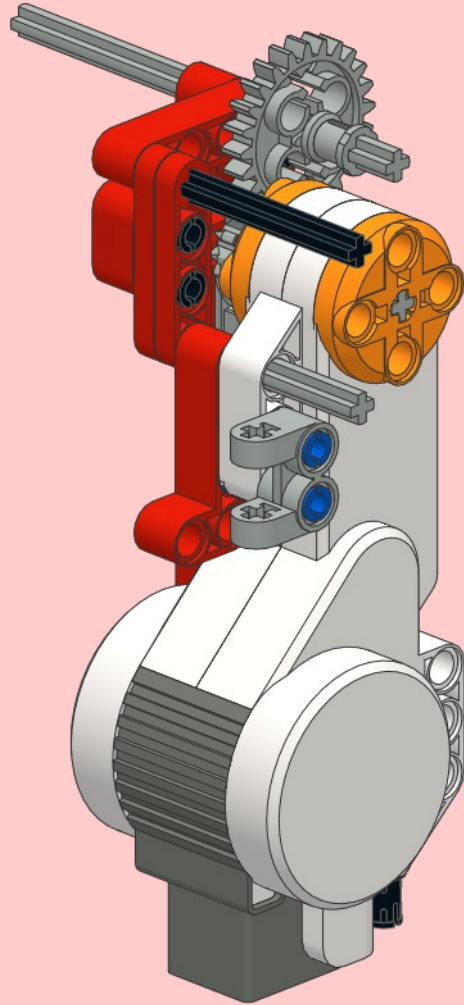
16  2x



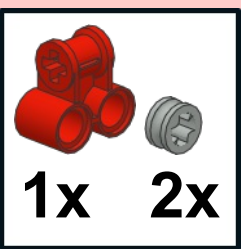
17



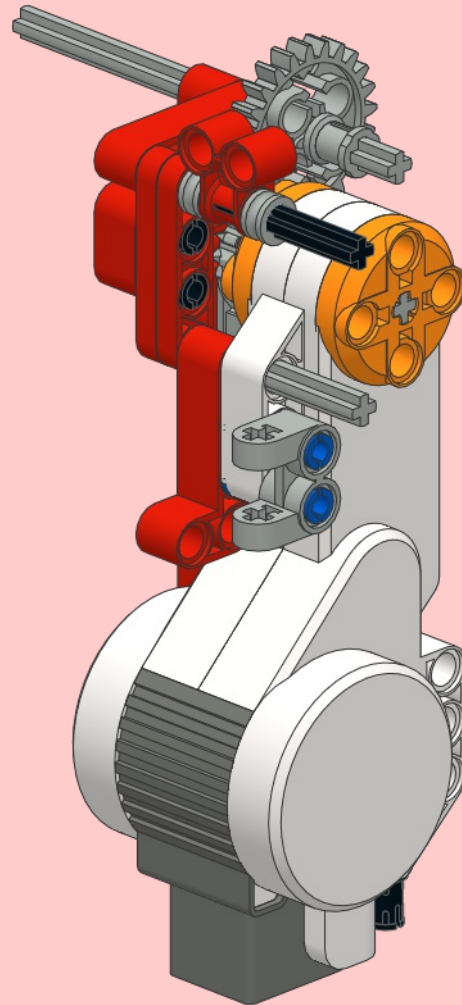
1x



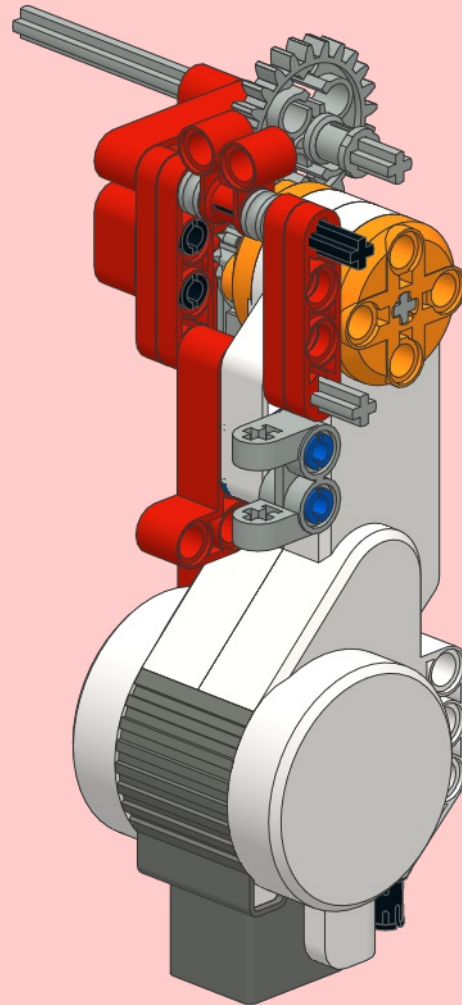
18




1x 2x




19  2x



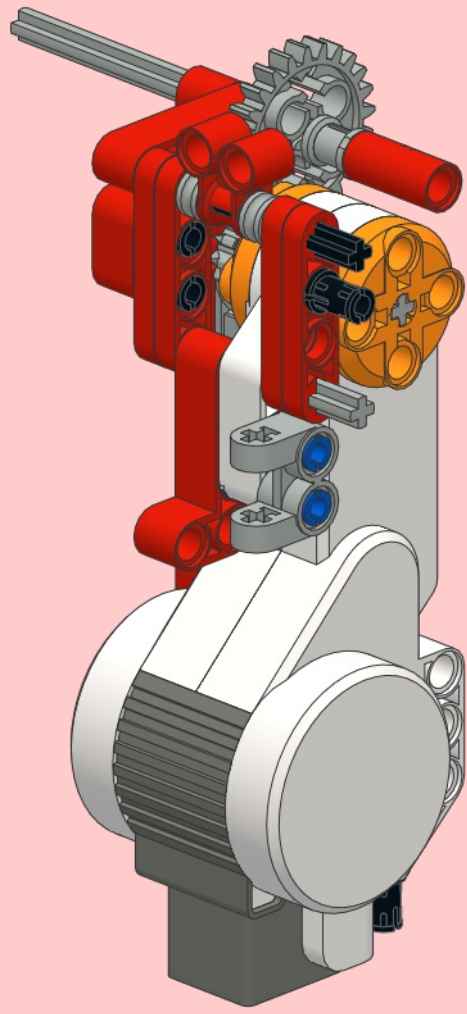
20

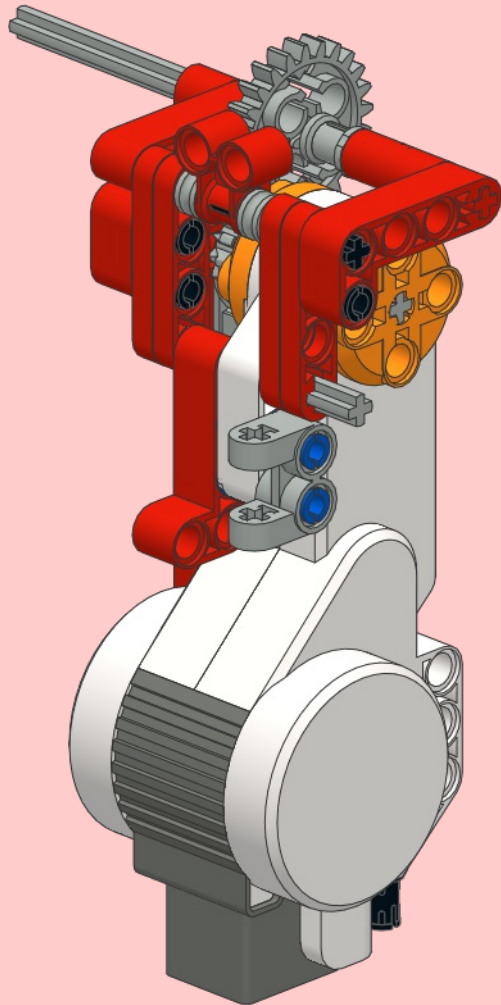
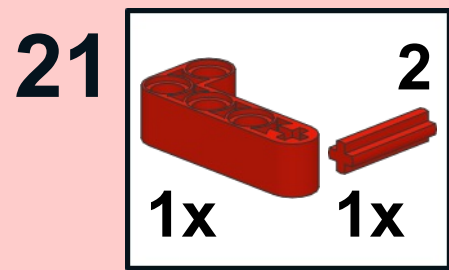



1x

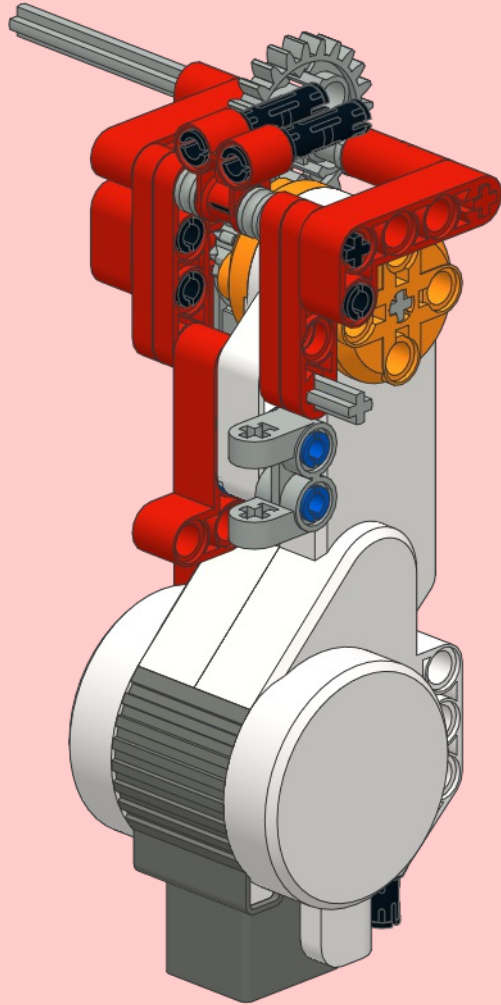


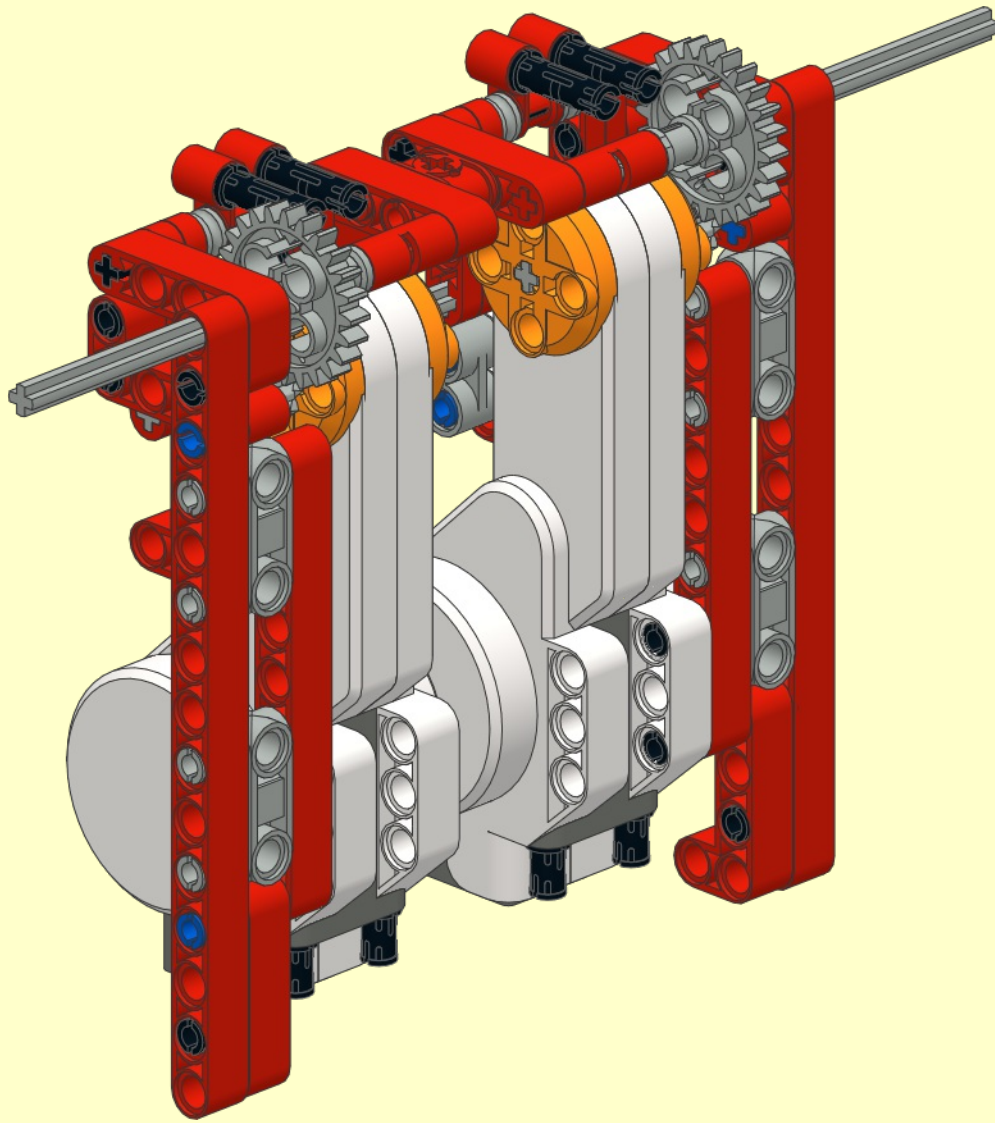
1x





22  **2x**

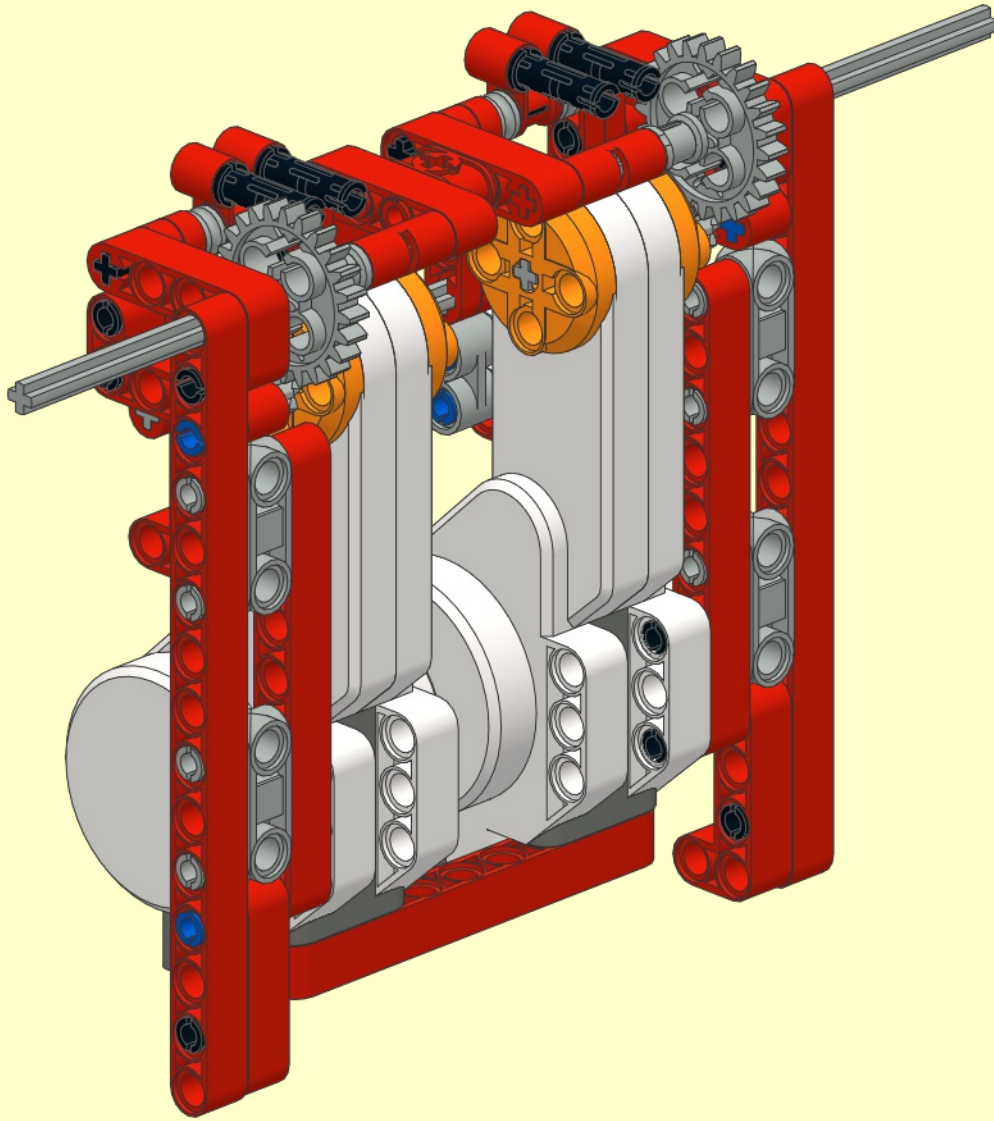
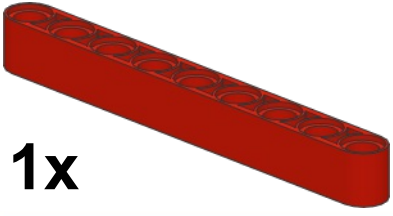




4

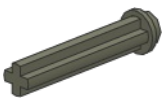
9

1x



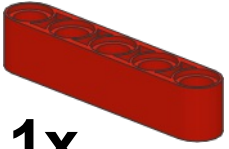
5

3

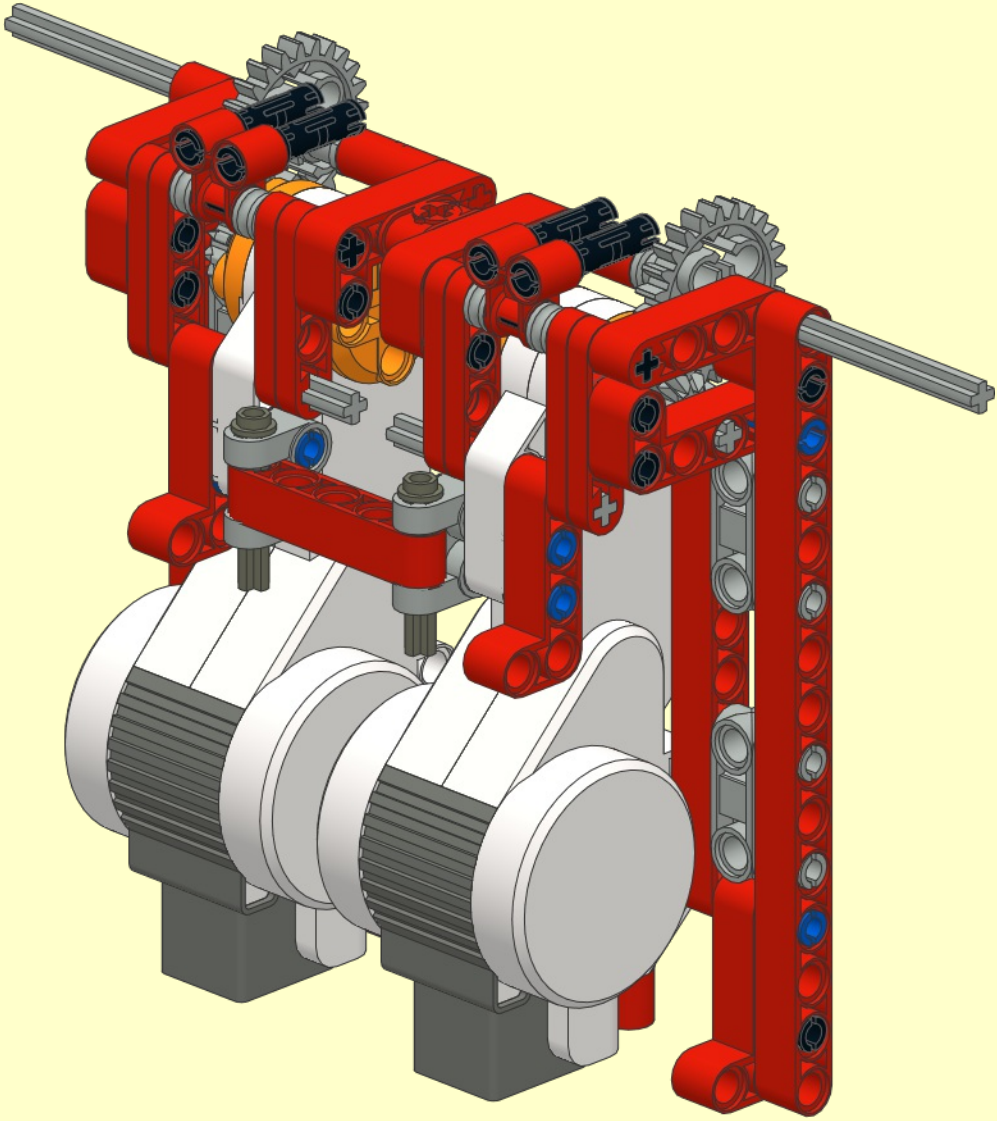


2x

5

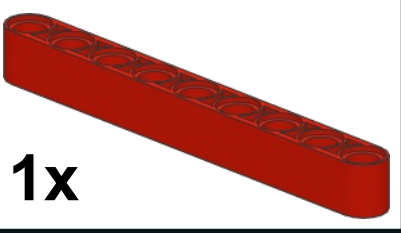


1x

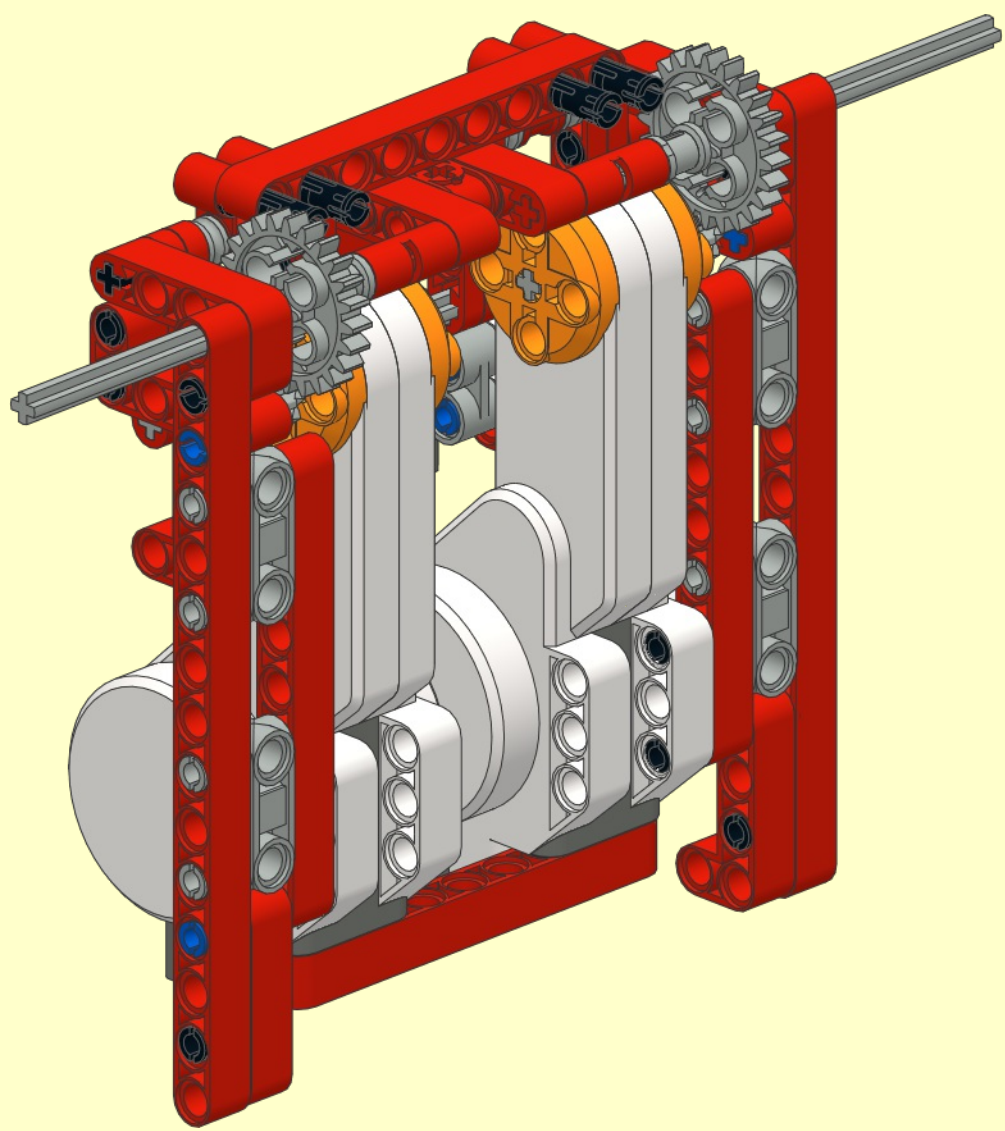


6

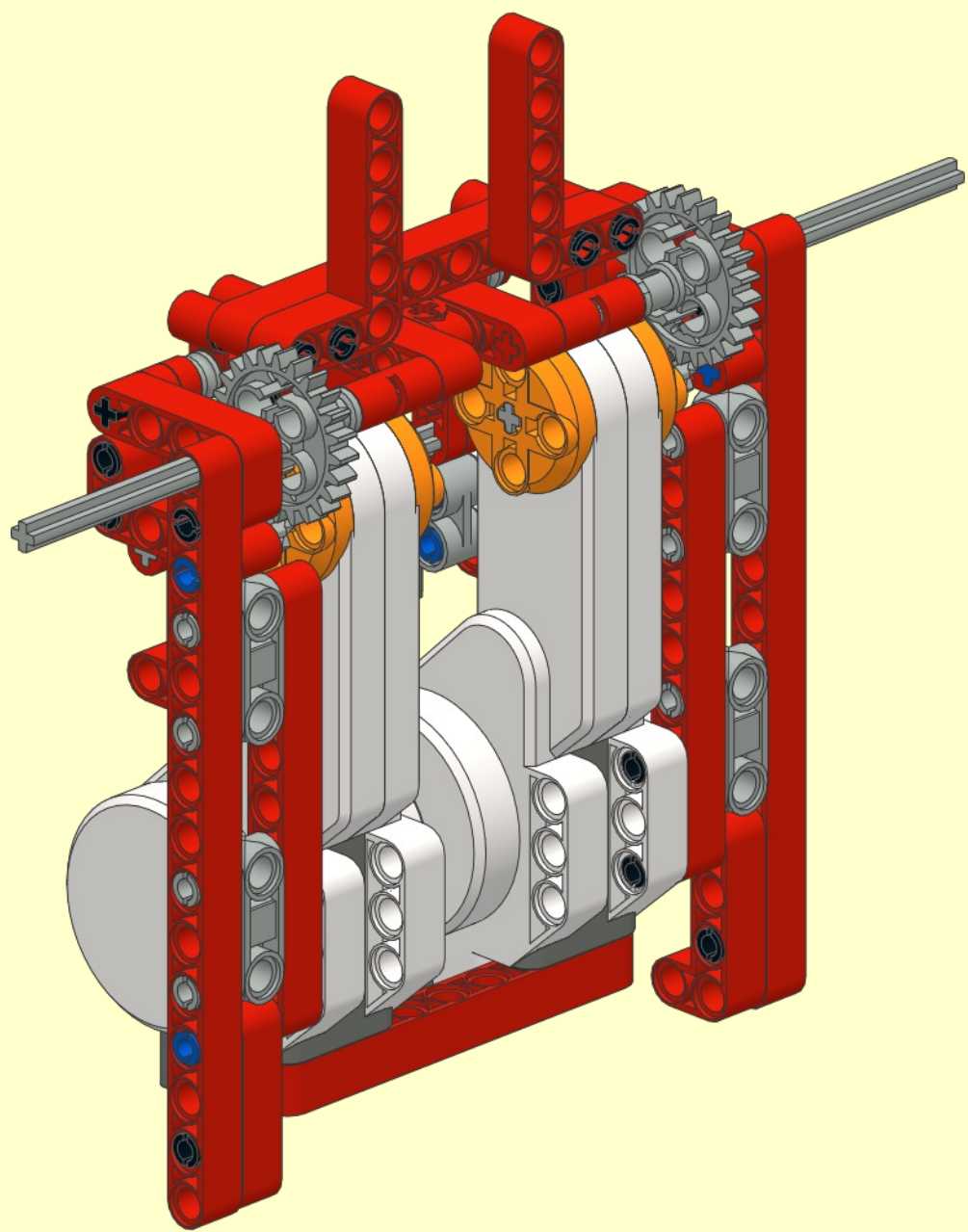
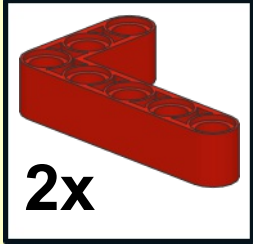
9



1x



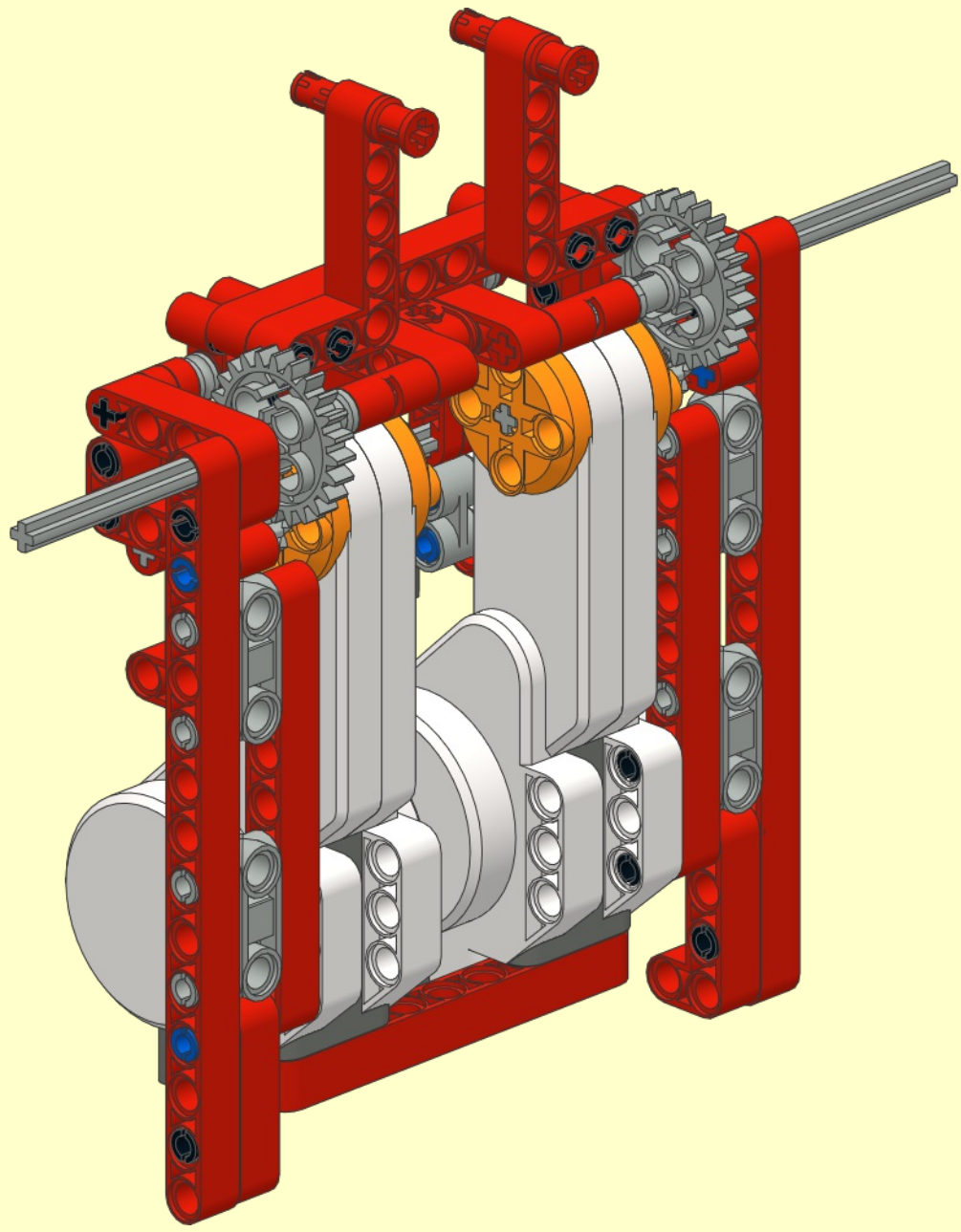
7



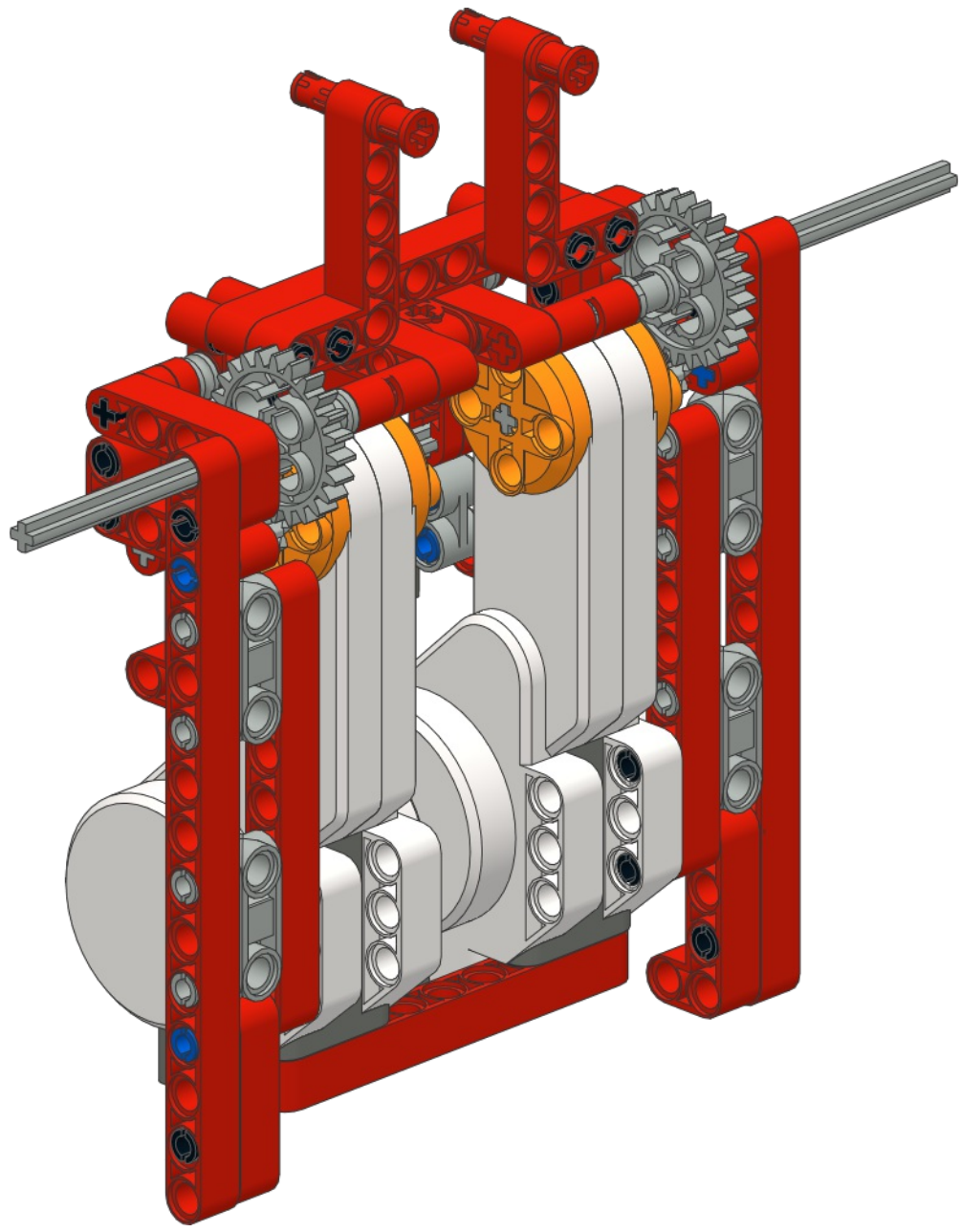
8

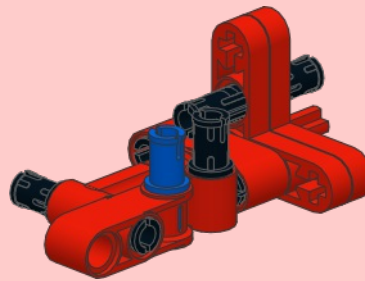
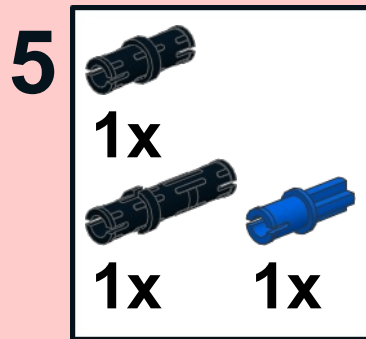
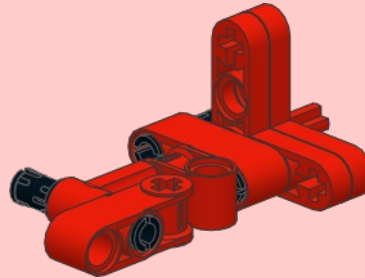
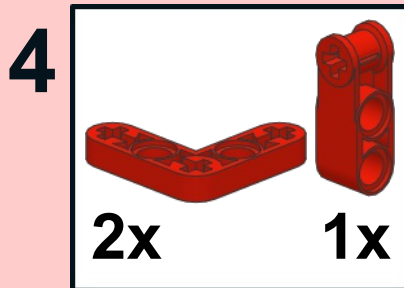
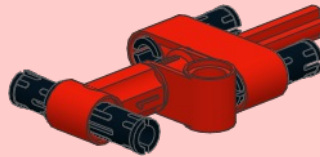
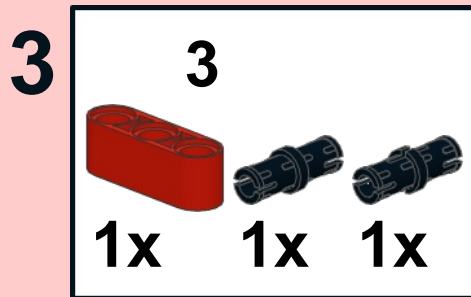
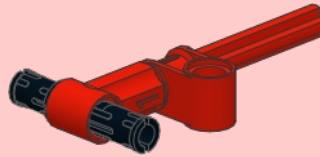
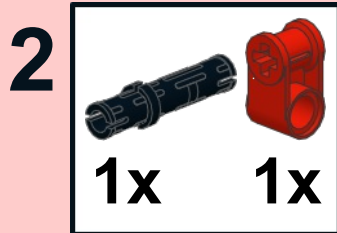
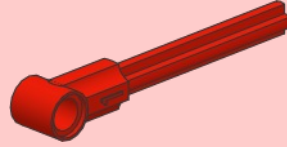
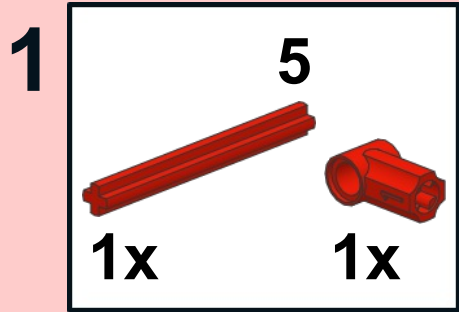


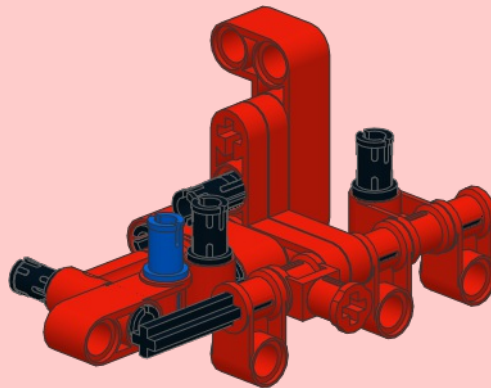
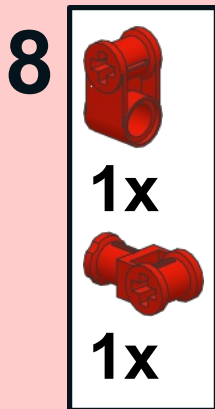
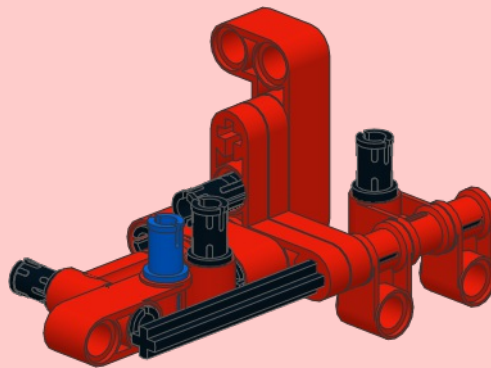
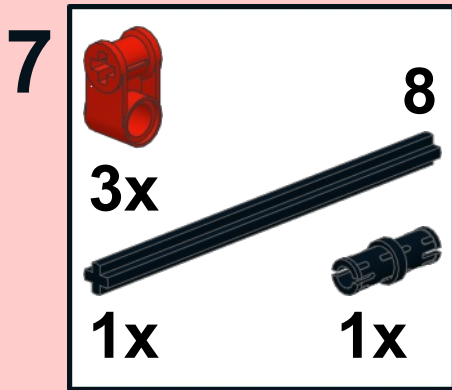
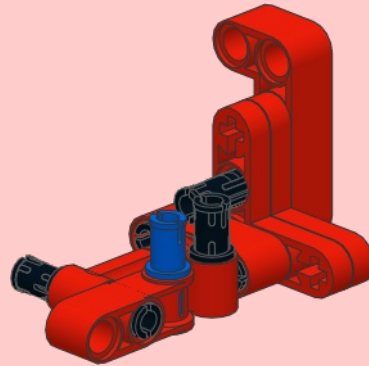
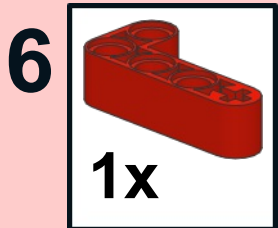
2x



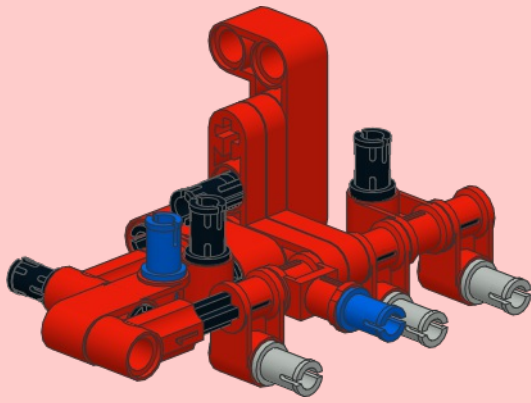
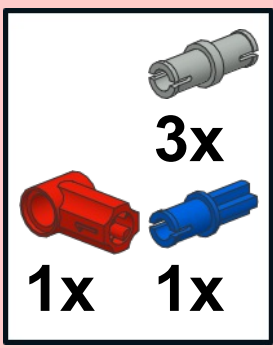
1



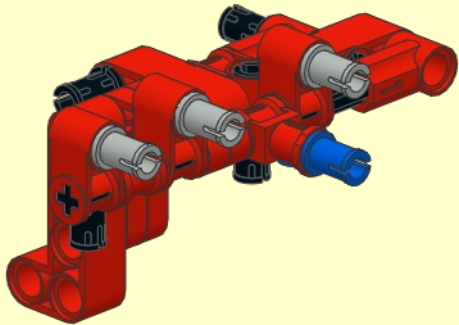


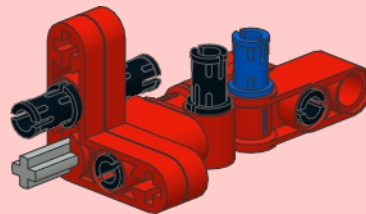
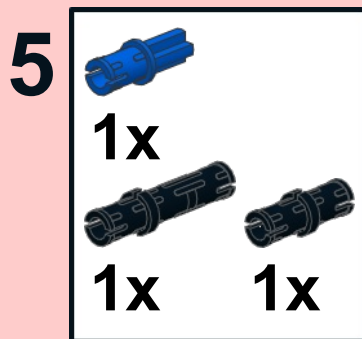
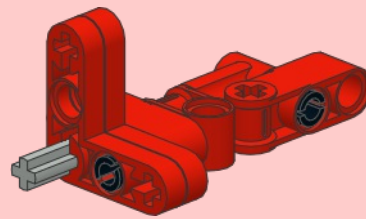
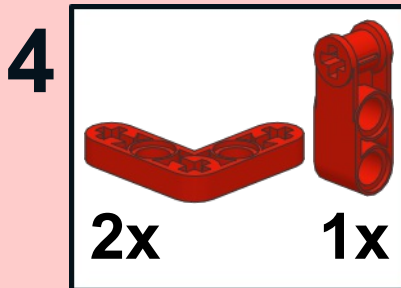
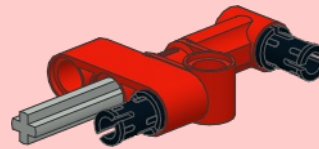
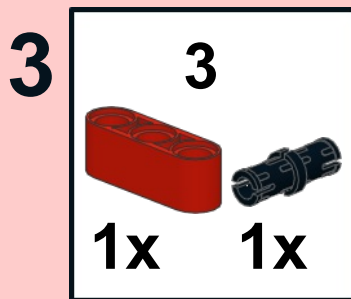
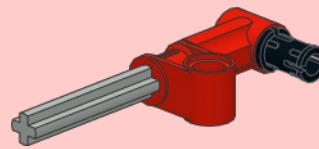
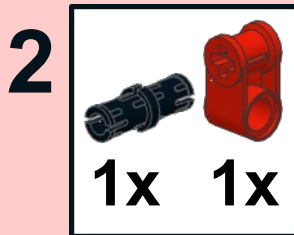
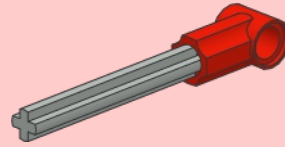
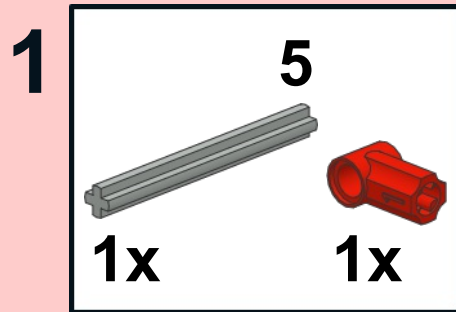


9

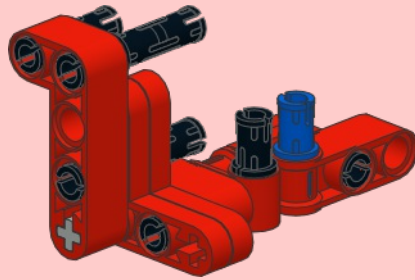
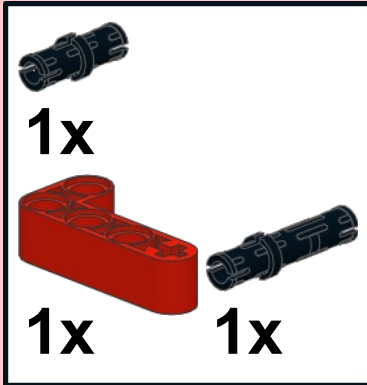


1

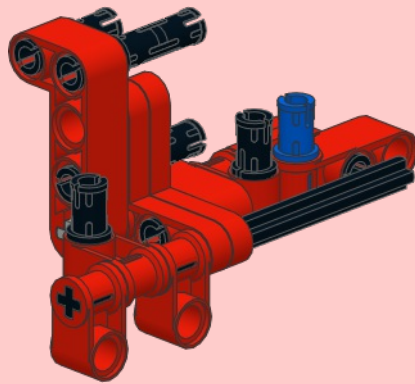




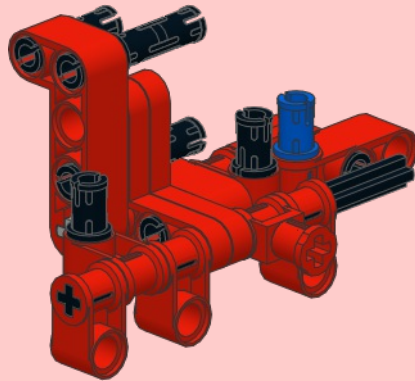
6



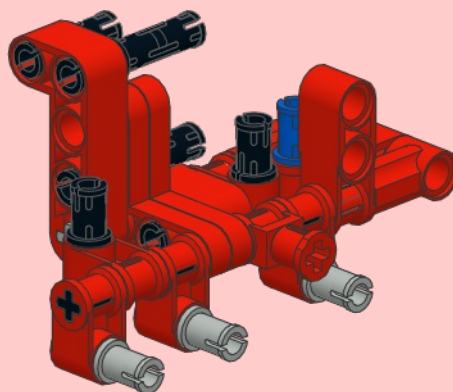
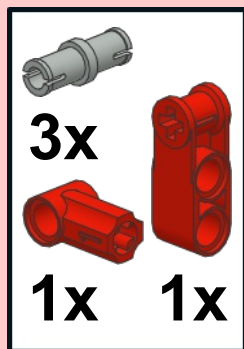
7



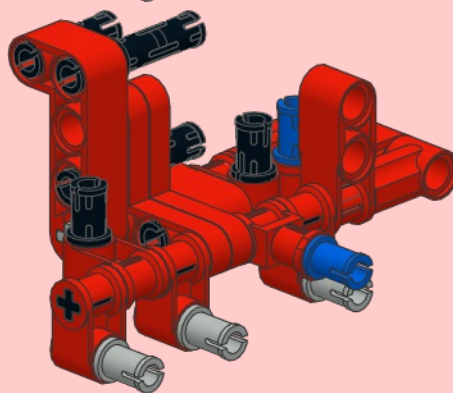
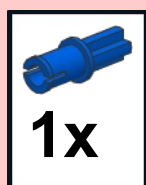
8



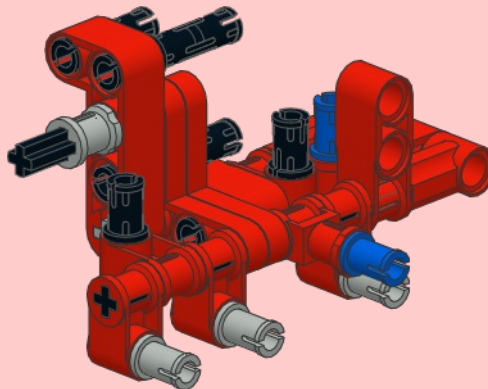
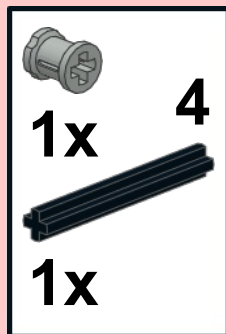
9




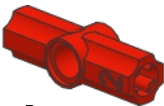


10

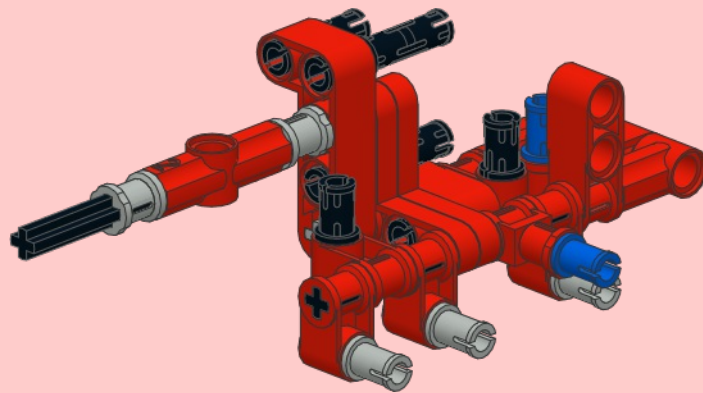


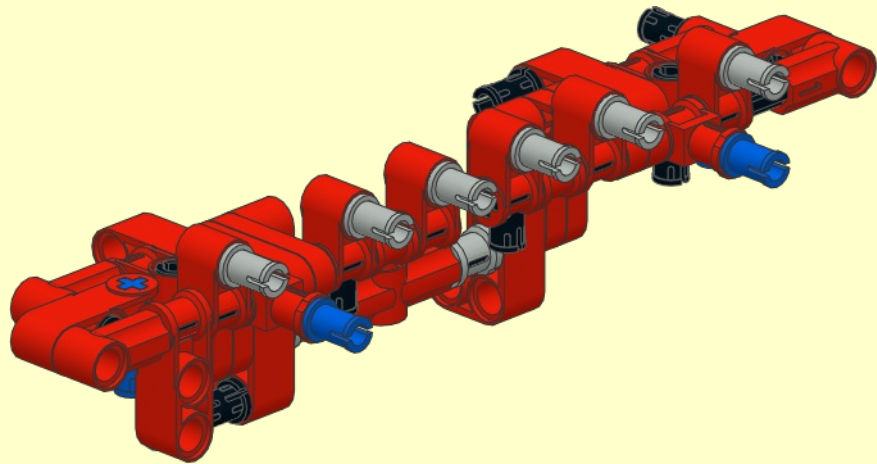
11

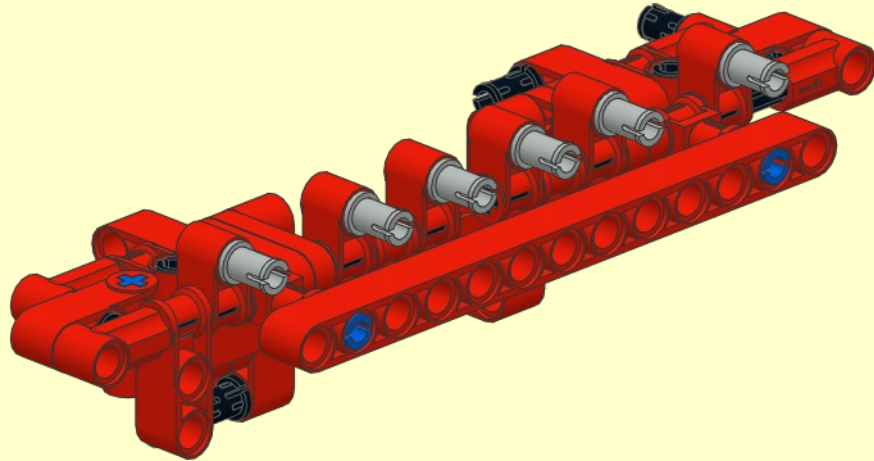
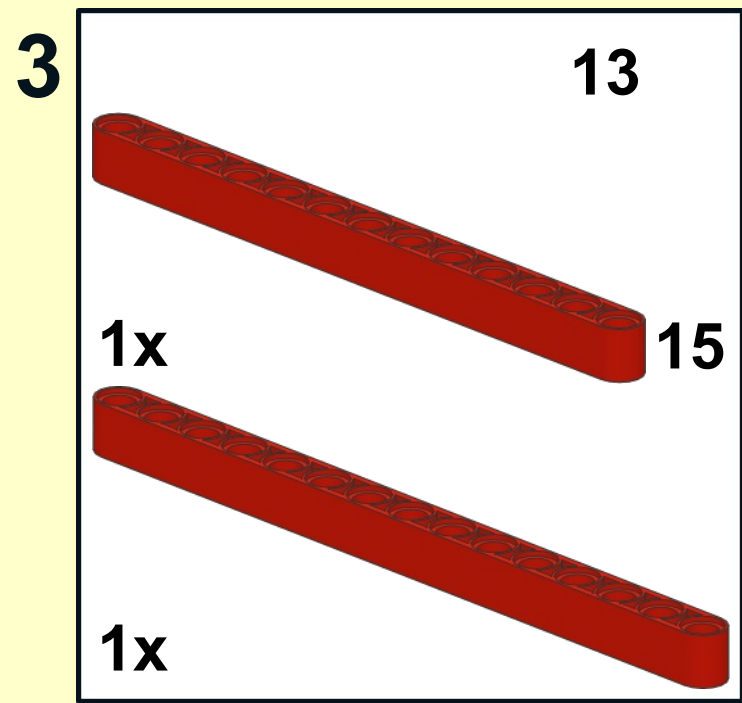


12

-  **1x**
-  **1x**
-  **4**
-  **1x**



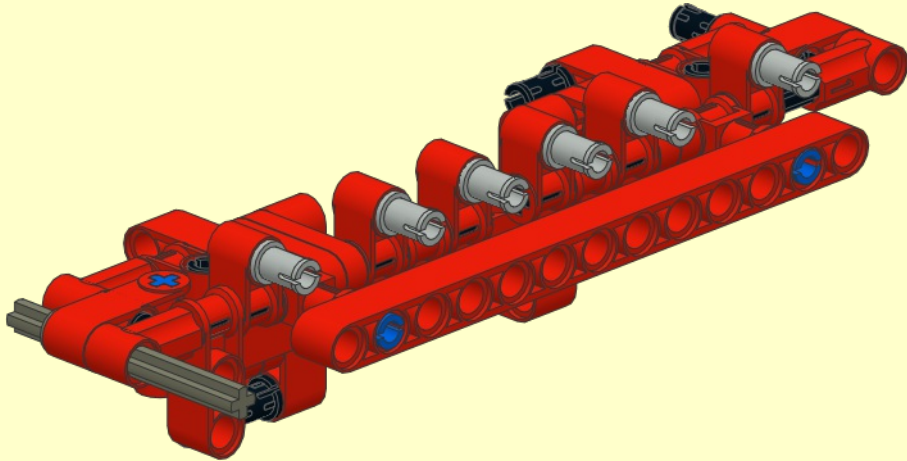
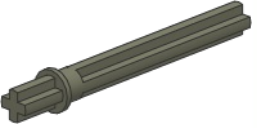




4

5

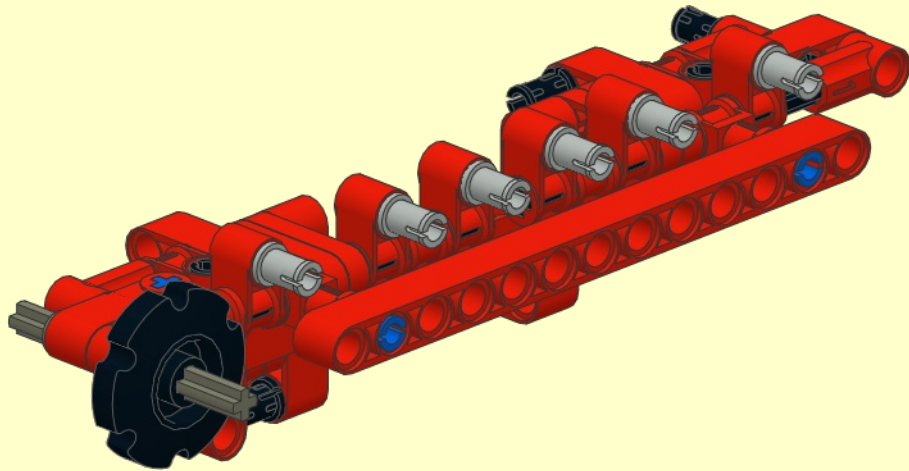
1x

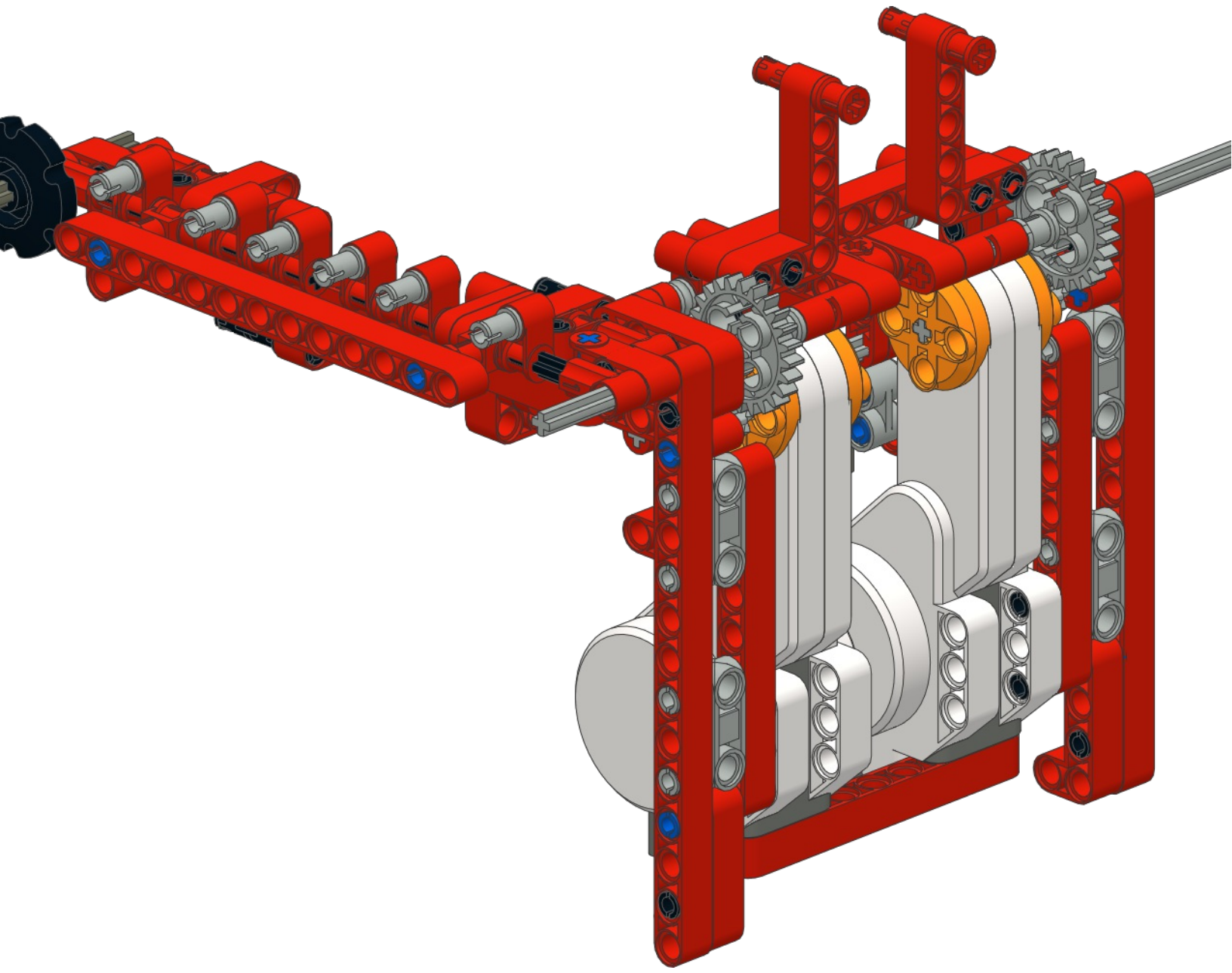


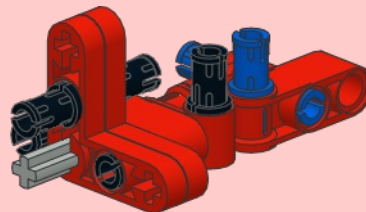
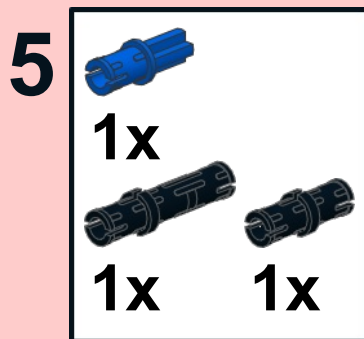
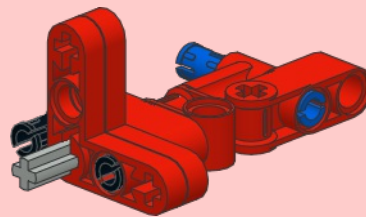
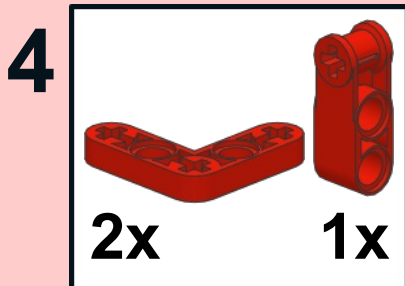
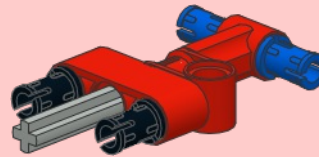
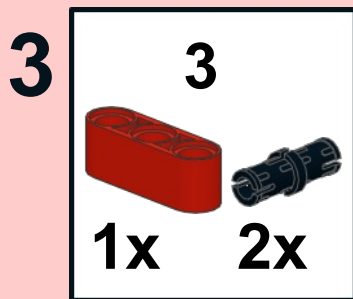
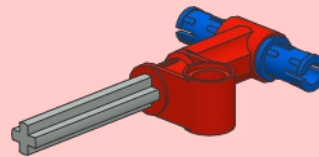
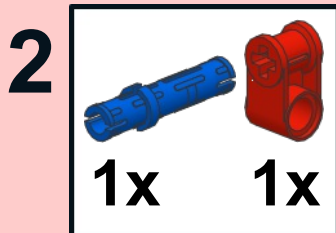
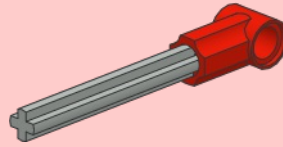
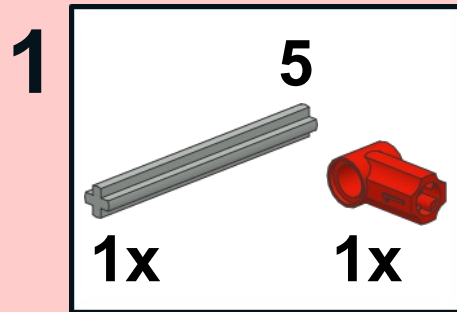
5

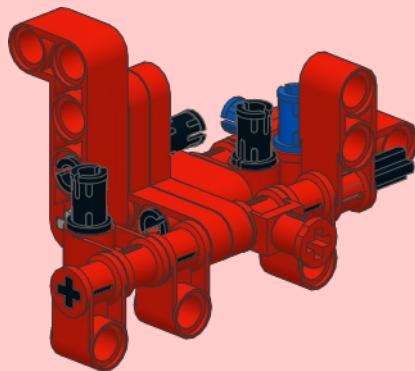
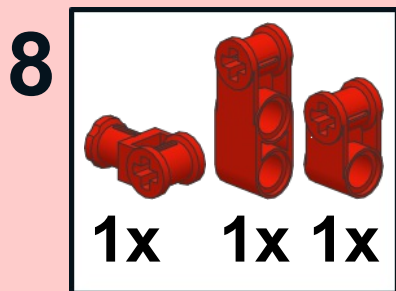
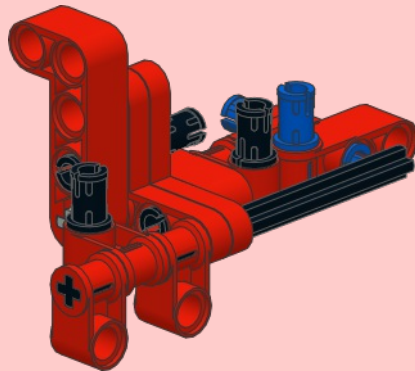
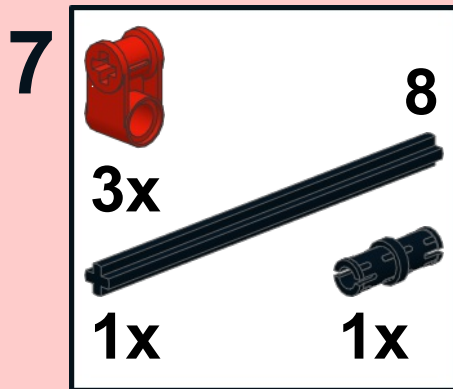
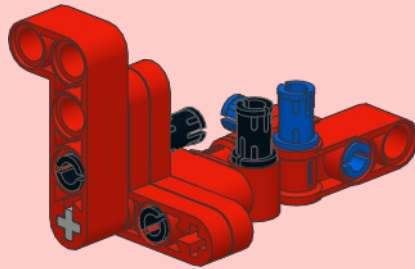
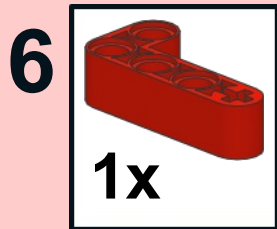


1x

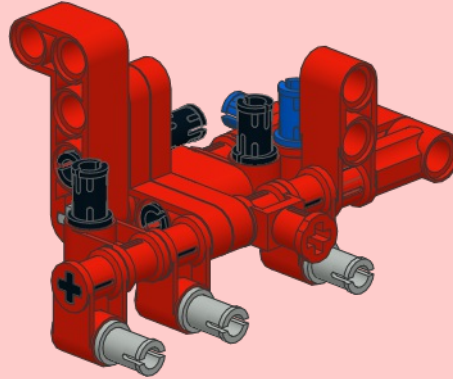




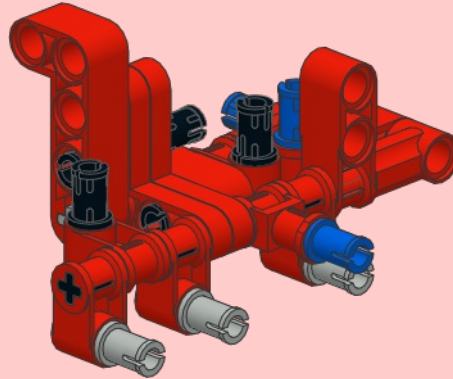




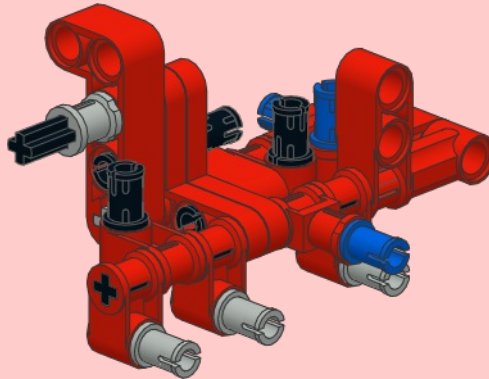
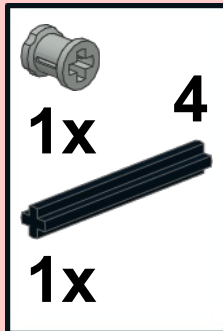
9




10

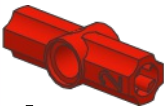


11




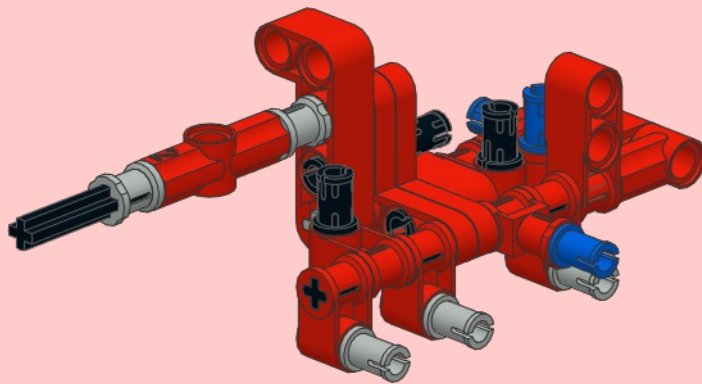
12

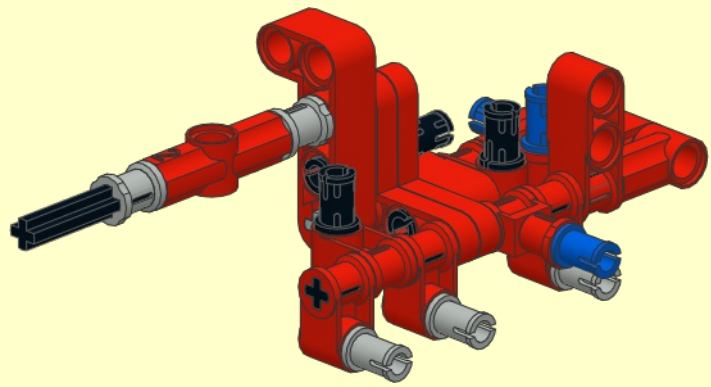
 **1x**

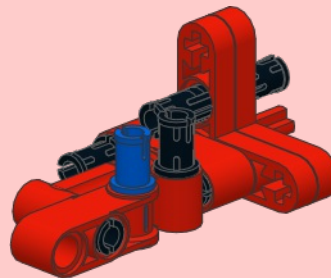
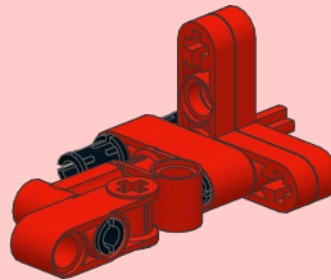
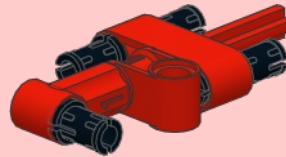
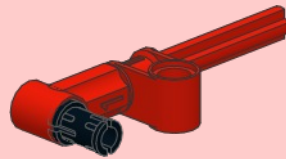
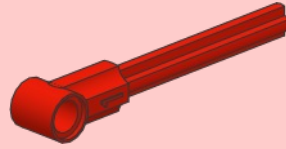
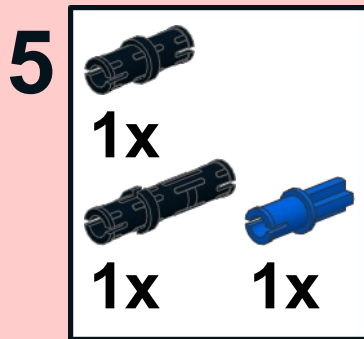
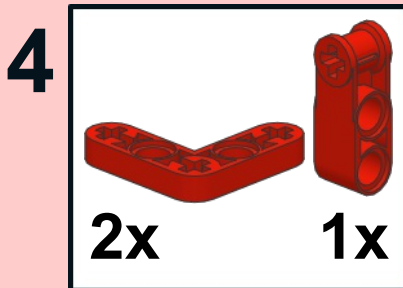
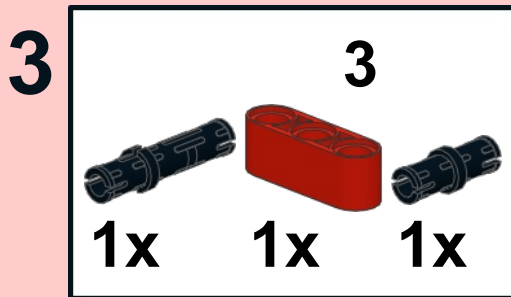
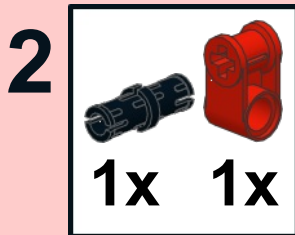
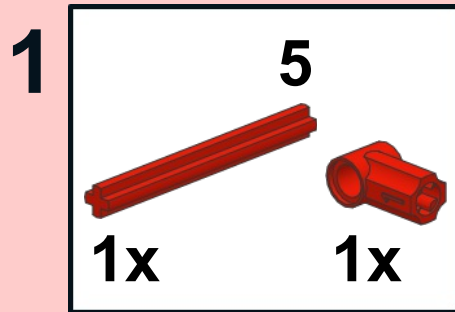
 **1x**

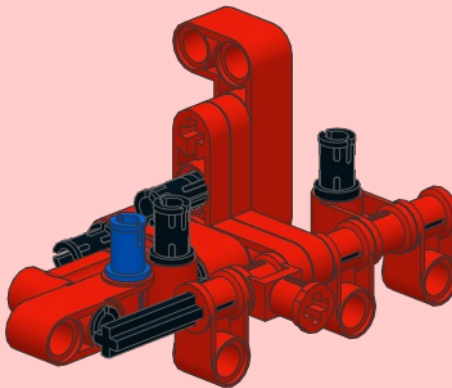
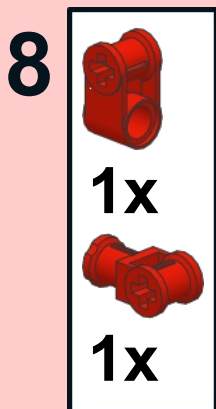
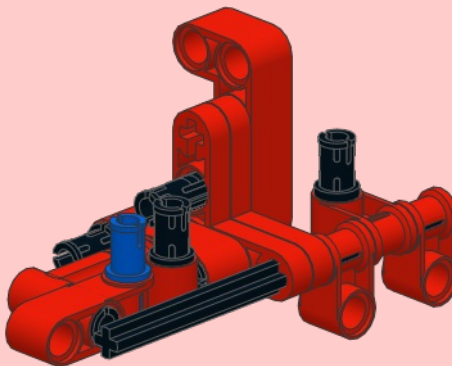
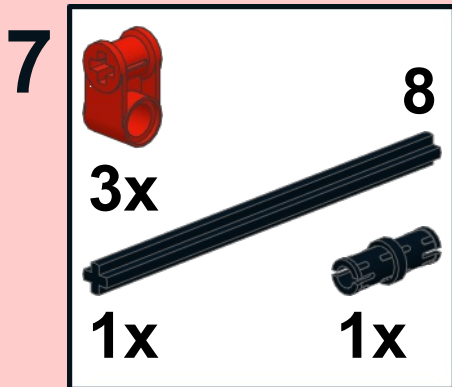
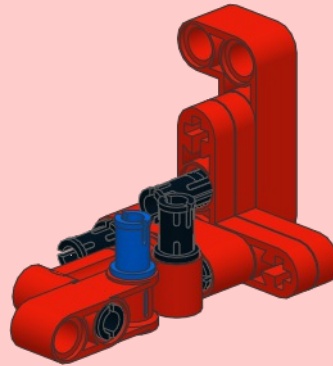
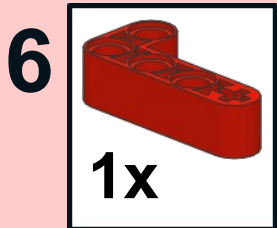
4

 **1x**

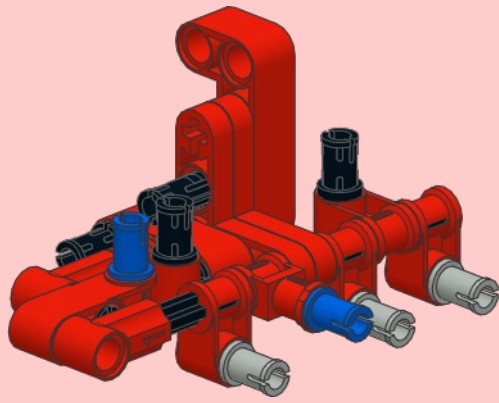
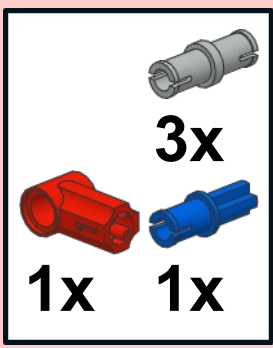


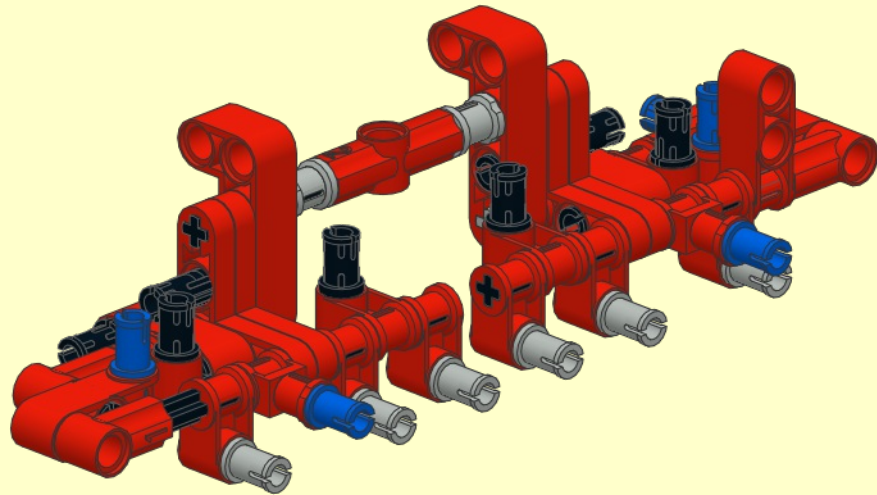


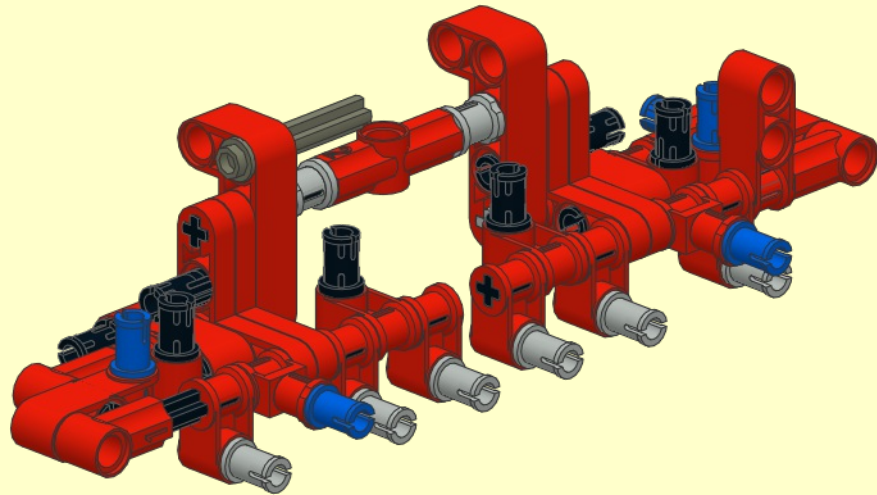
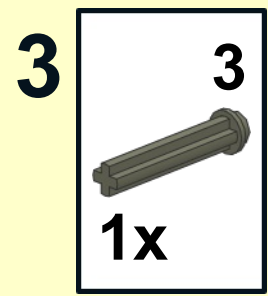


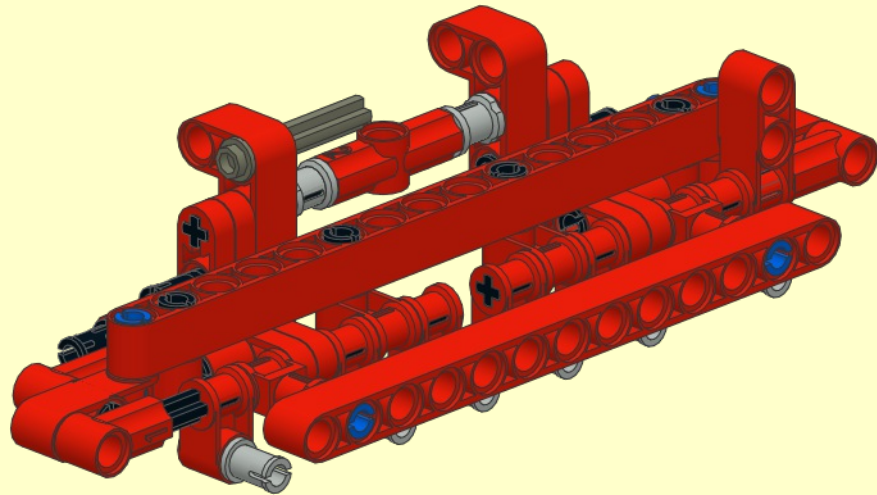
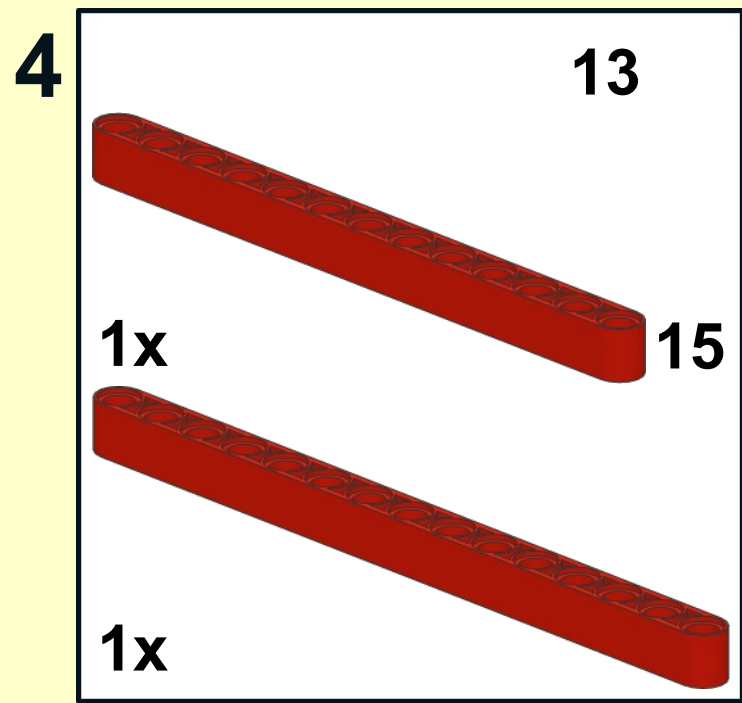


9

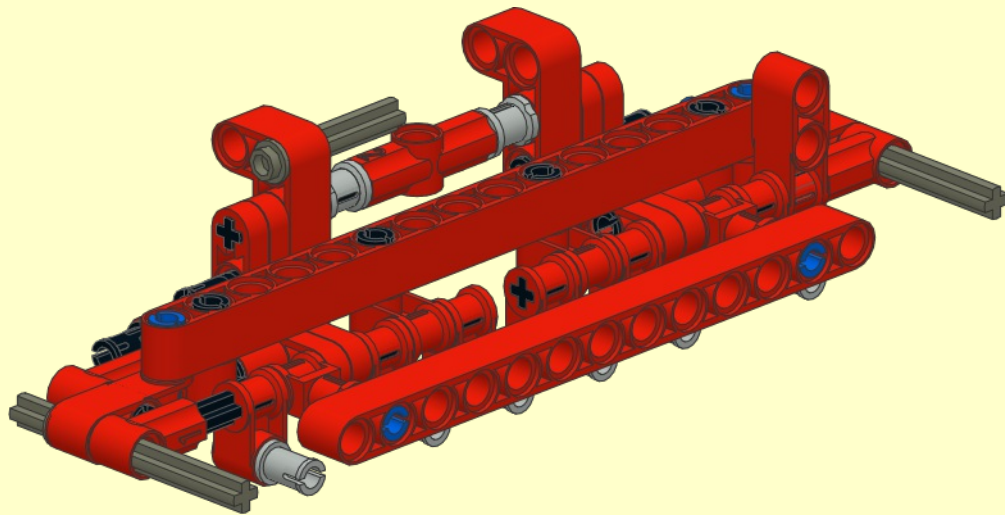
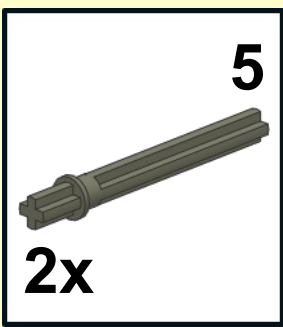








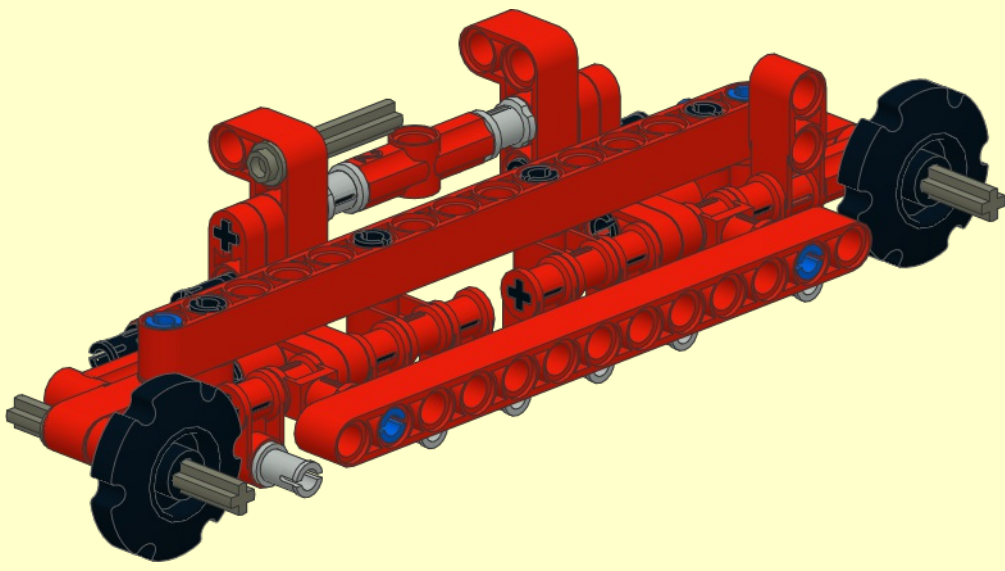
5

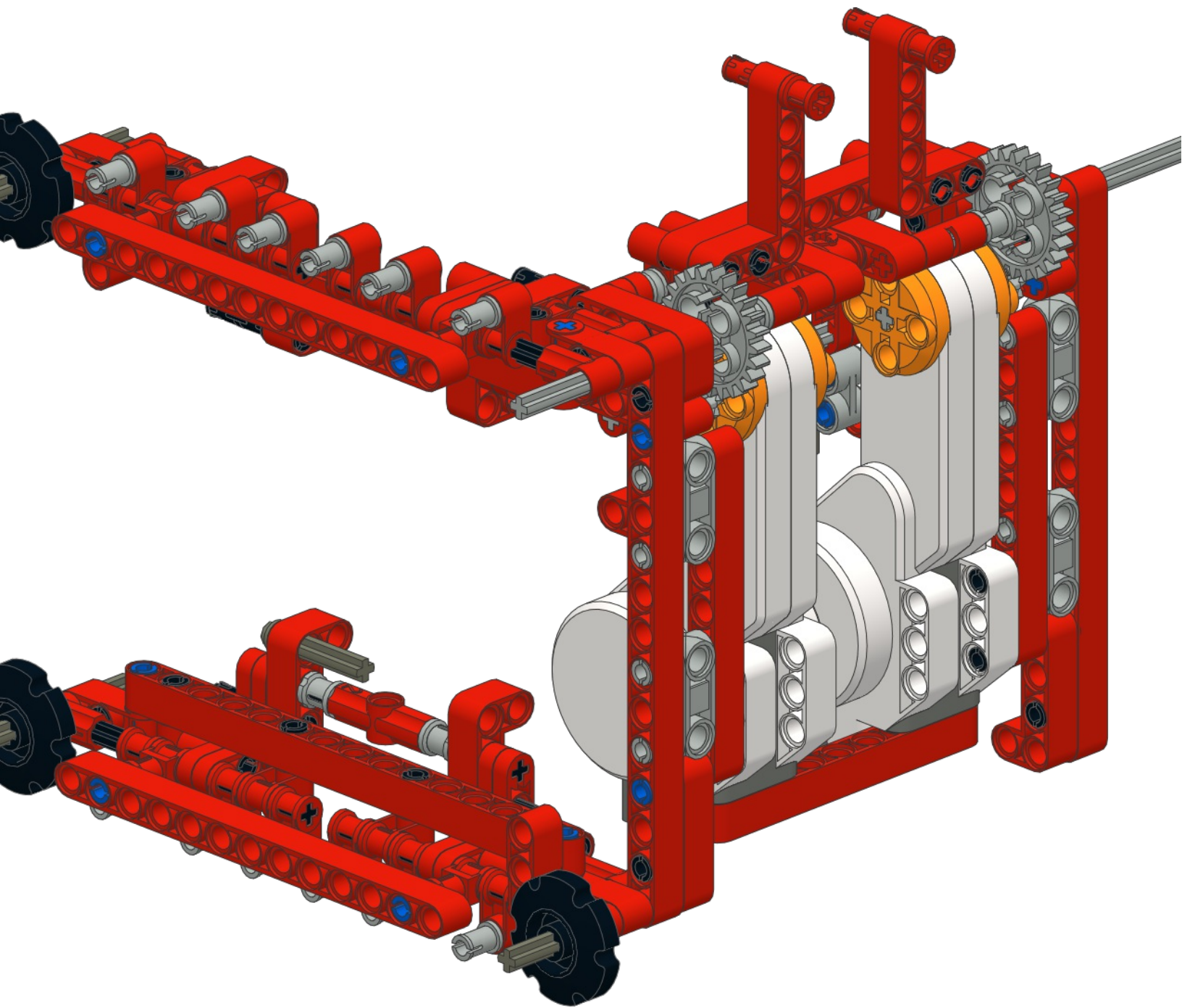


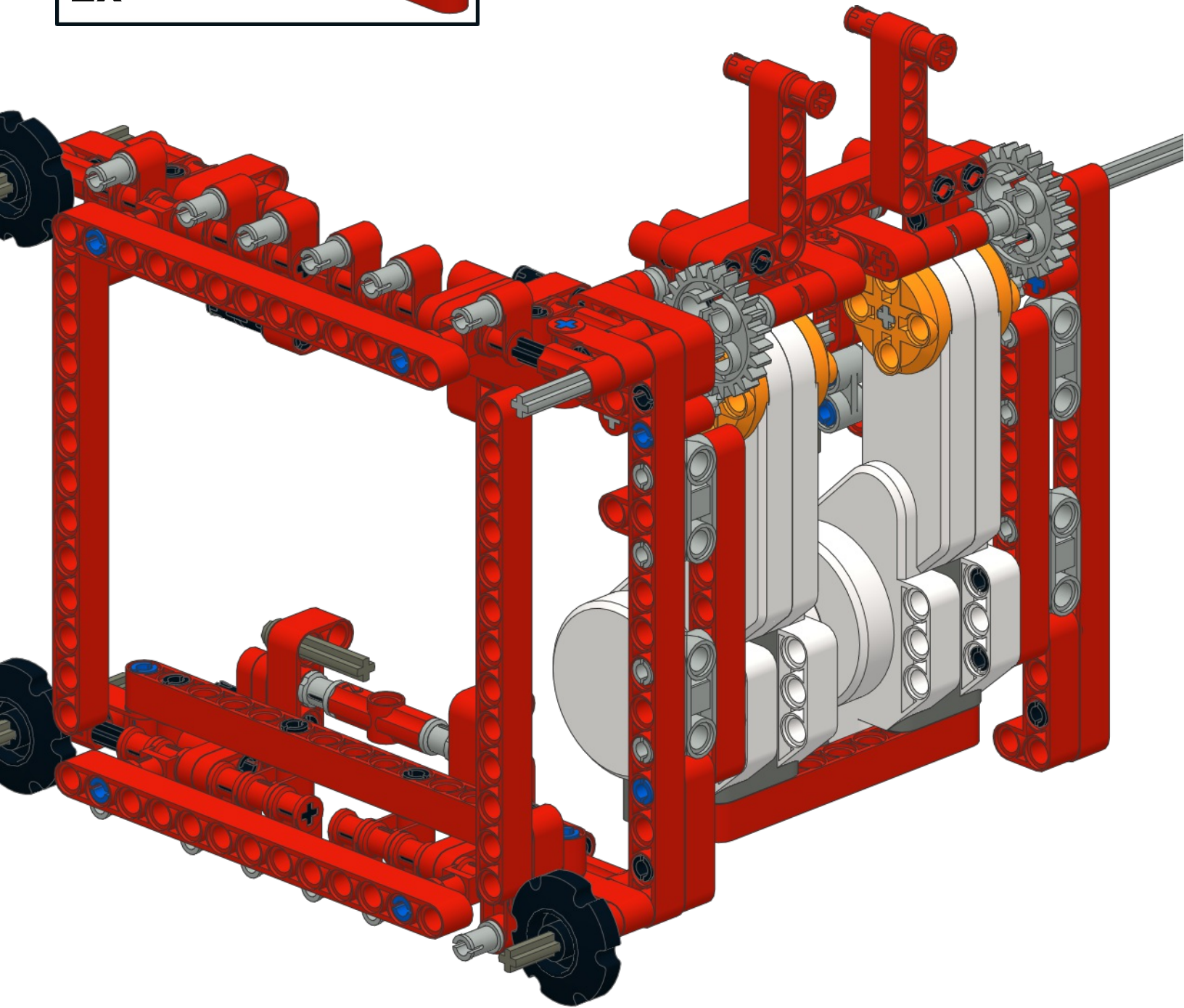
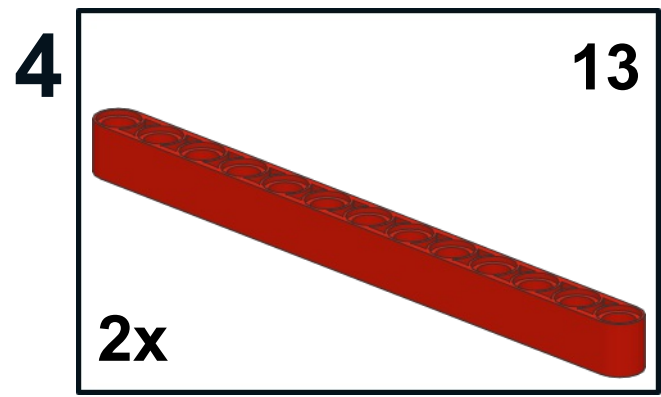
6



2x



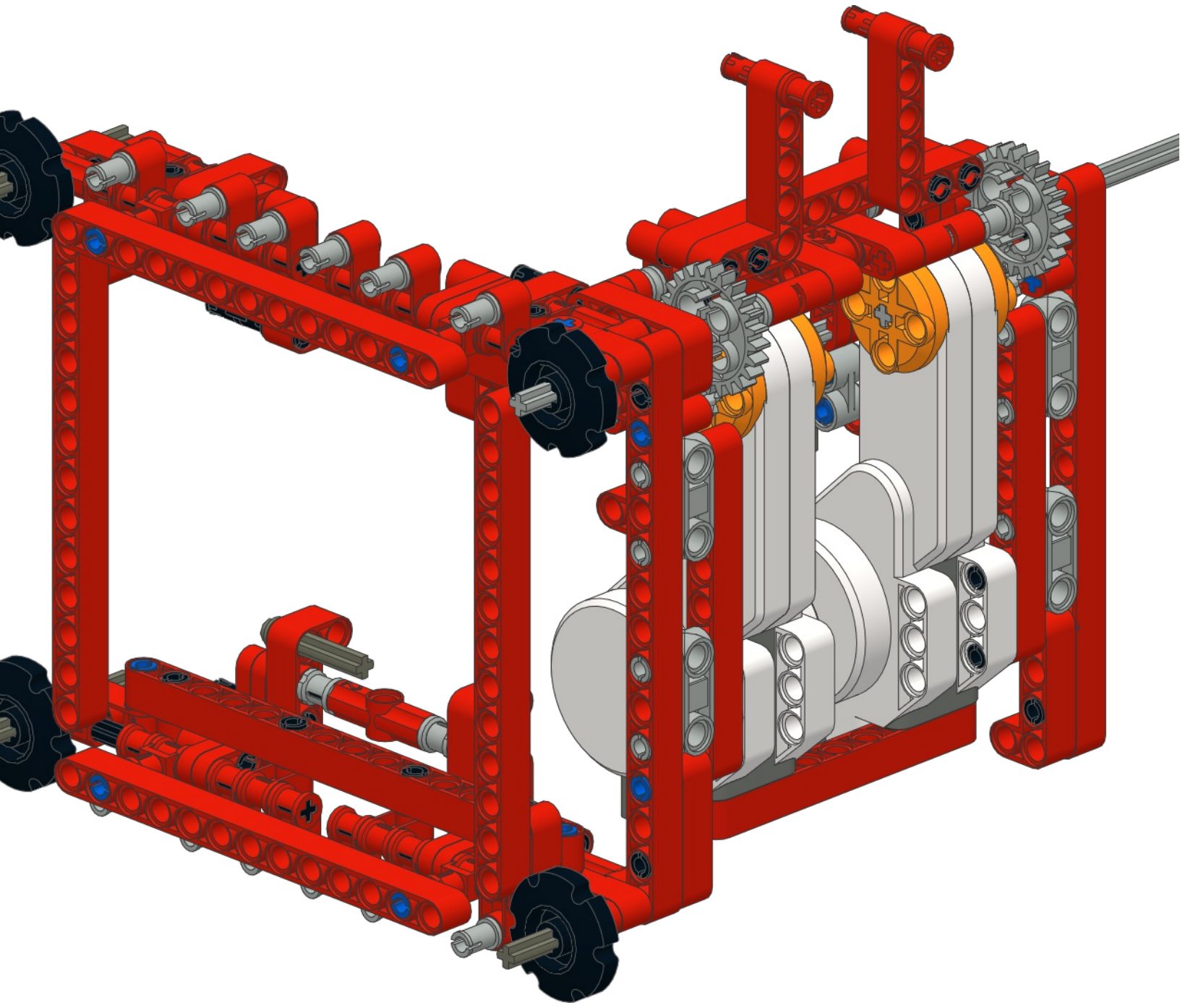




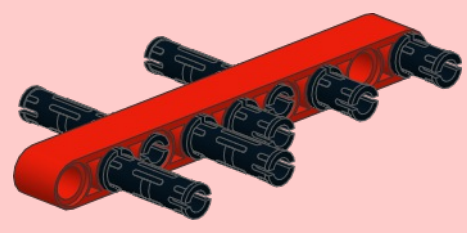
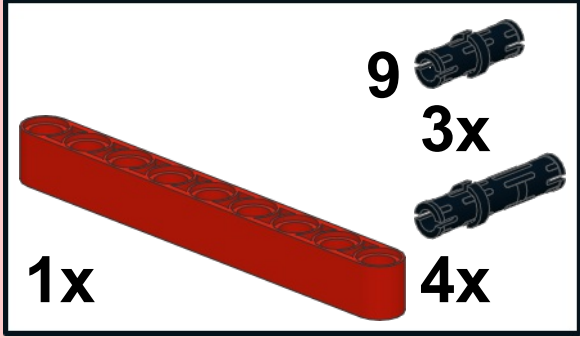
5

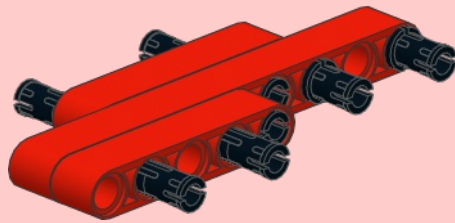
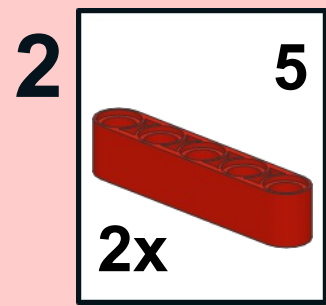


1x



1

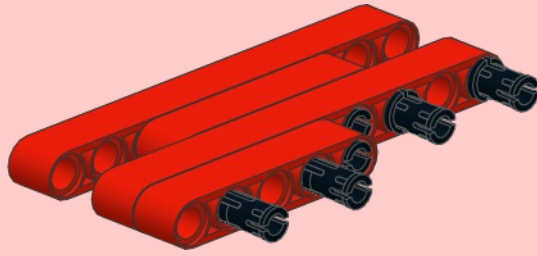
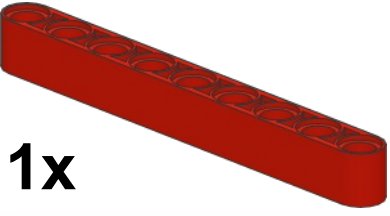




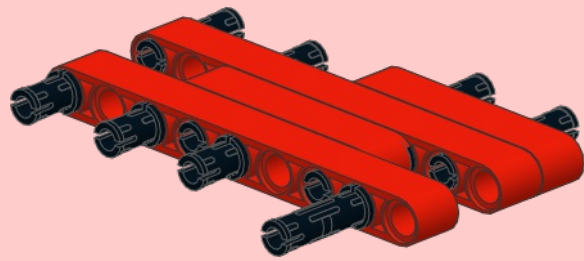
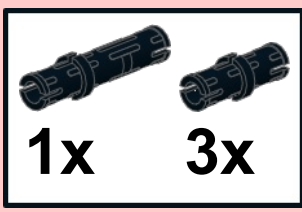
3

9

1x



4

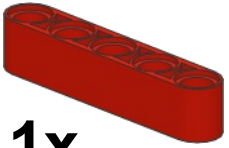


5

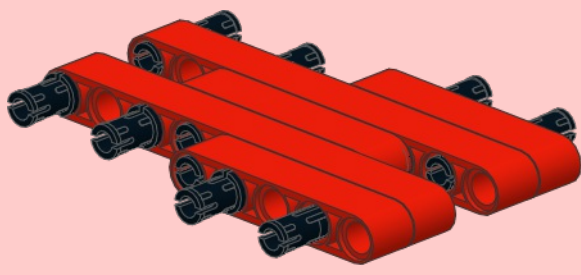


1x

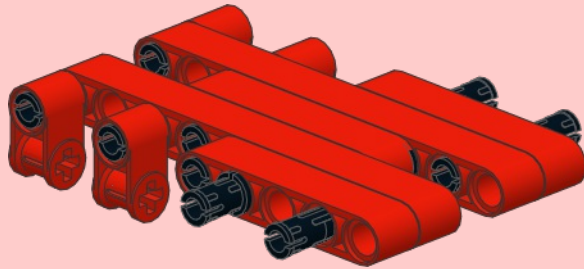
5



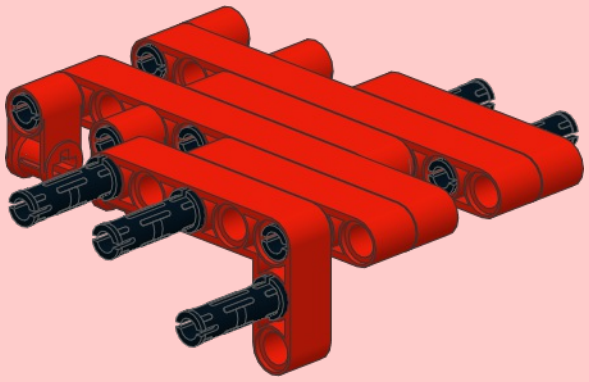
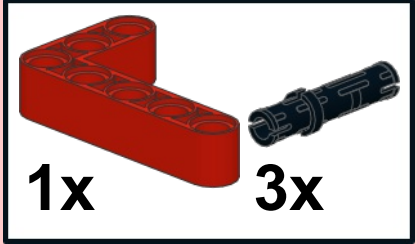
1x



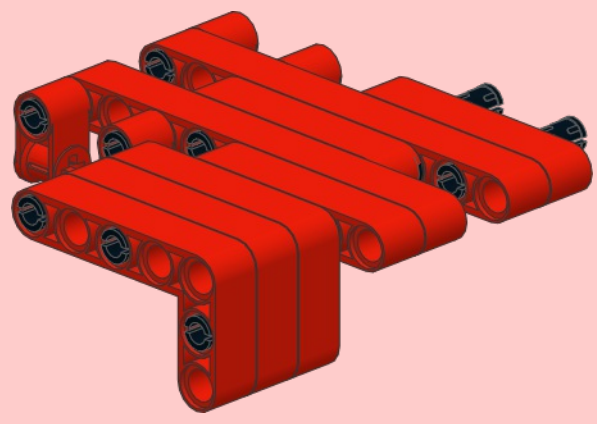
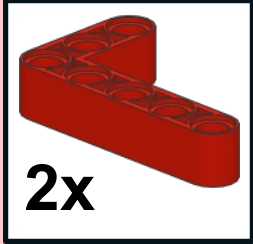
6
4x

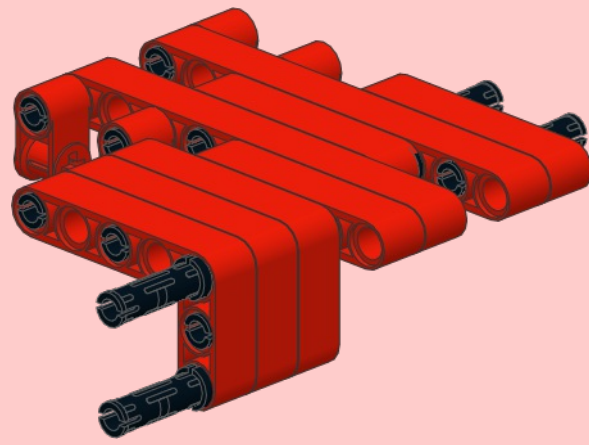
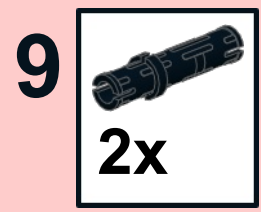


7

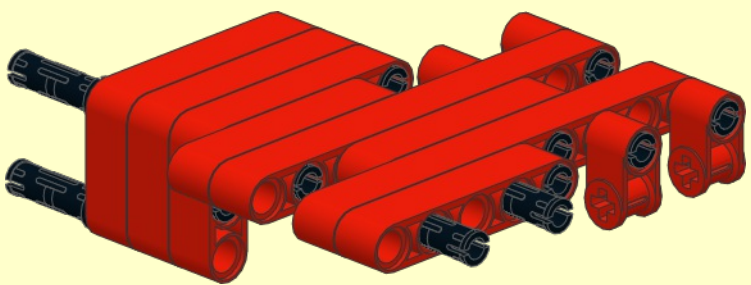


8





1



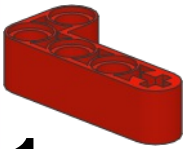
1



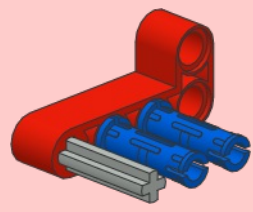
2x 3

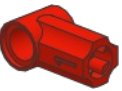
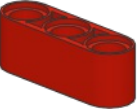


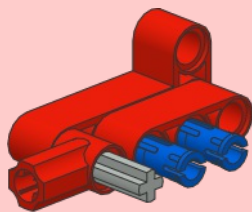
1x



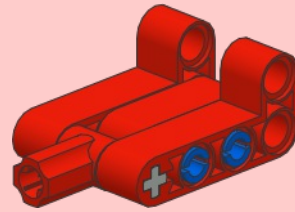
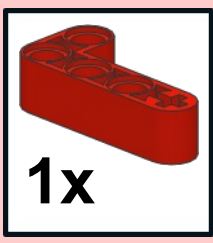
1x



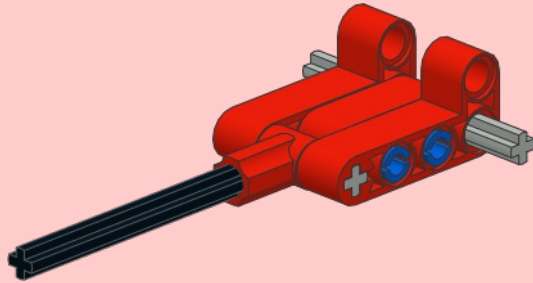
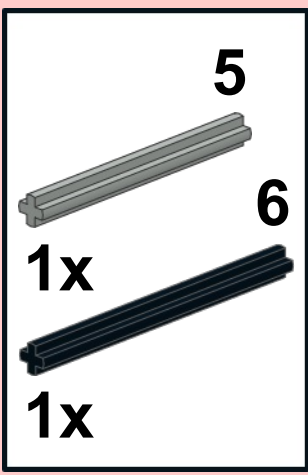
- 2**
- 
1x 3
 - 
1x




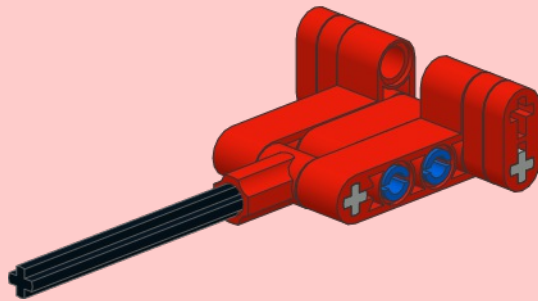
3



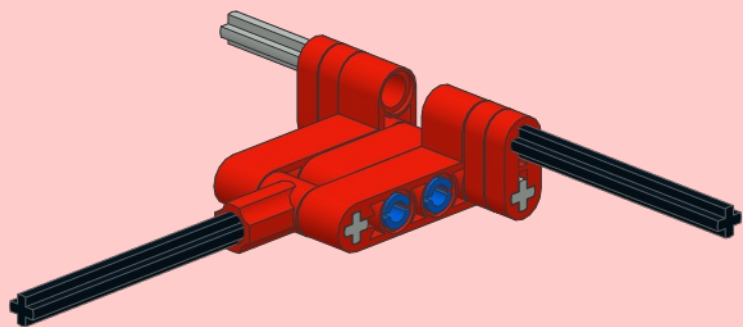
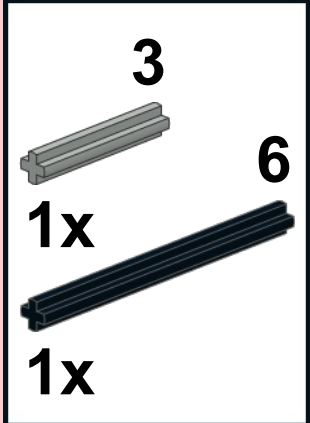
4

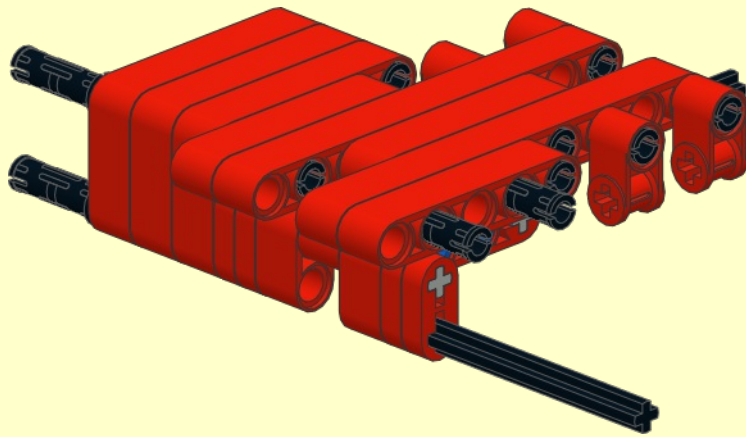


5  4x

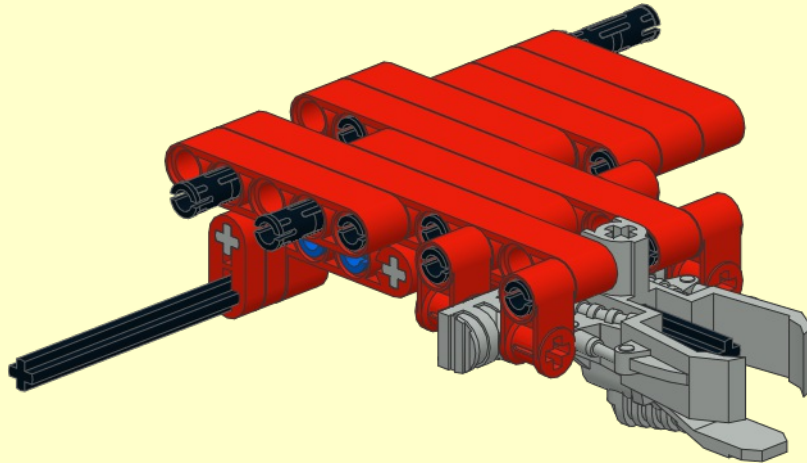
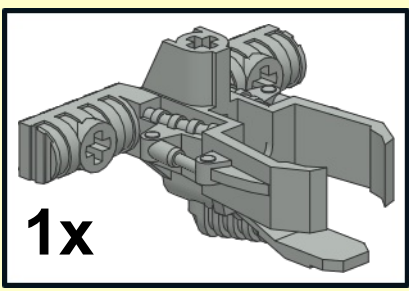


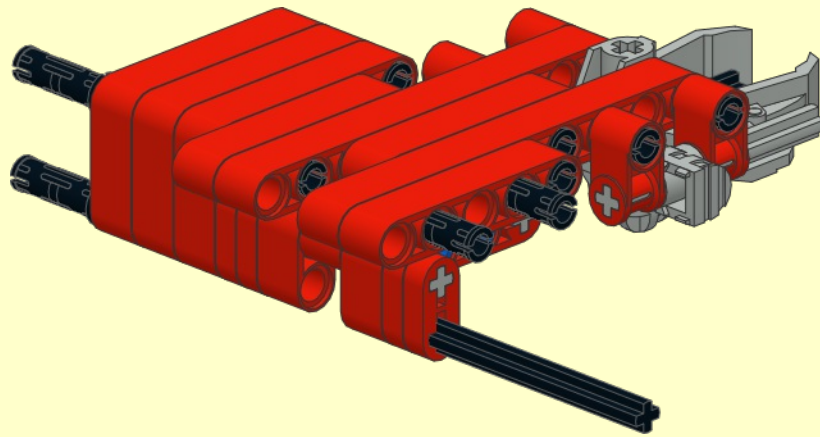
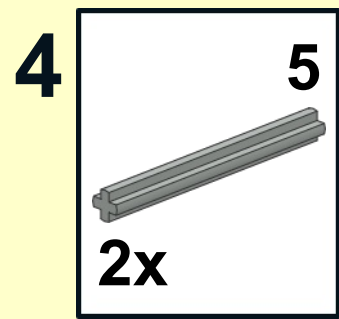
6



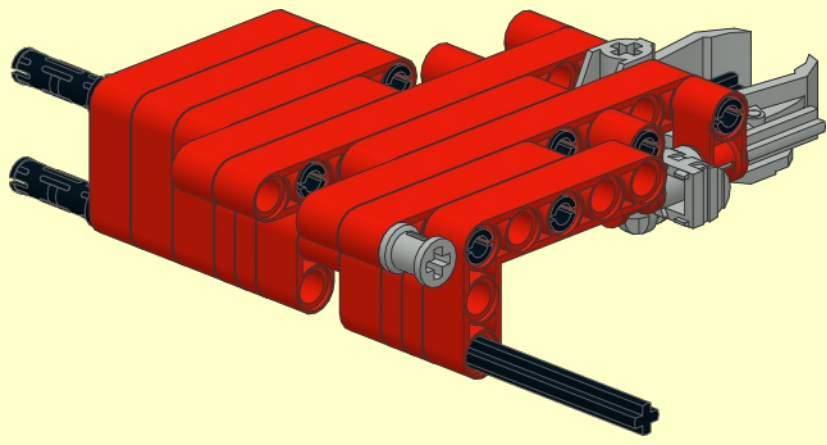
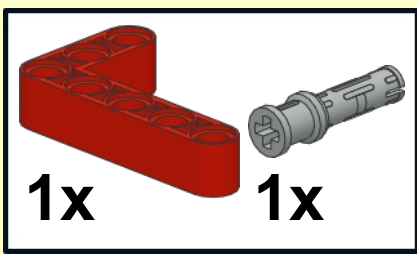


3

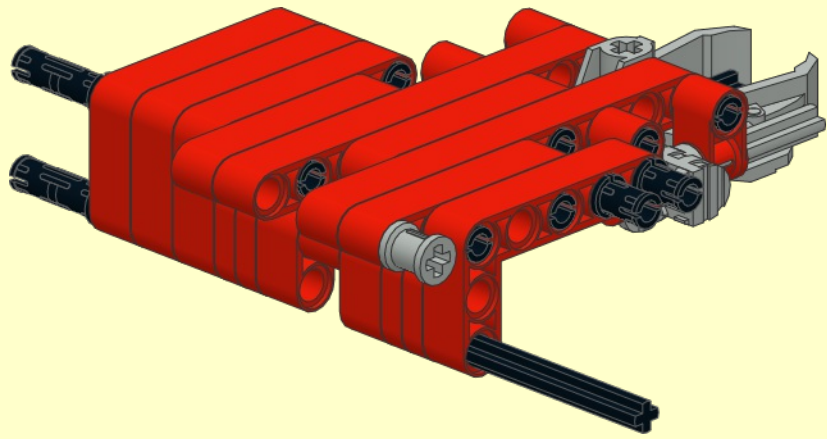




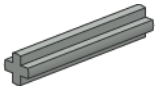

5

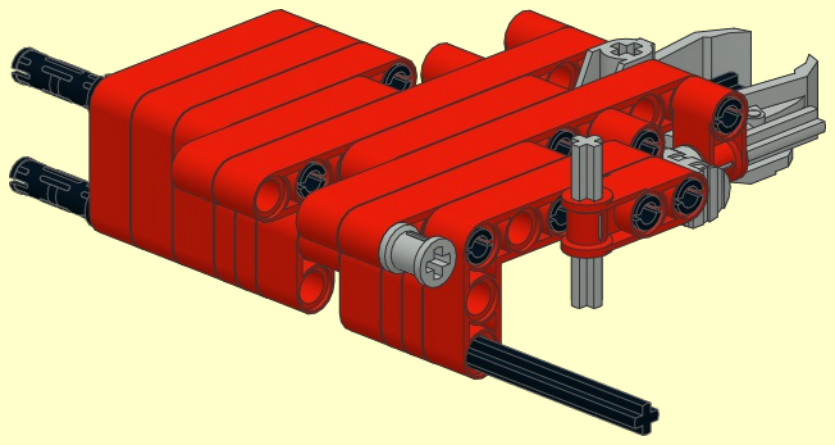


6
2x

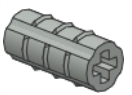
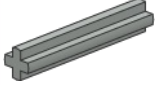



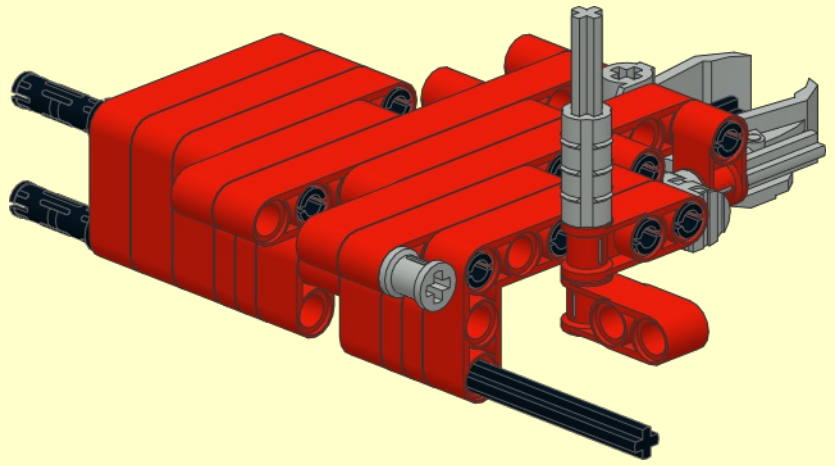
7

	
1x	1x

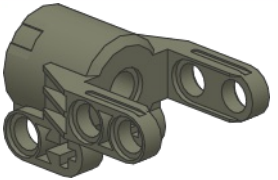


8

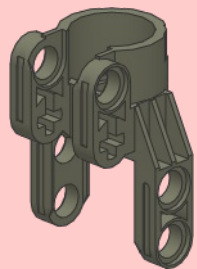
	
1x	3
	
1x	1x

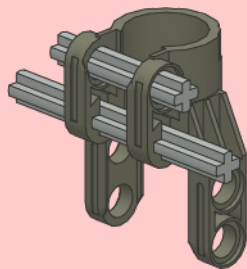
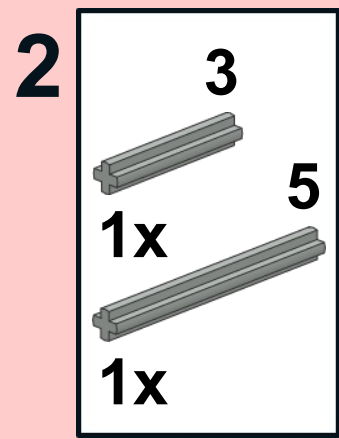



1

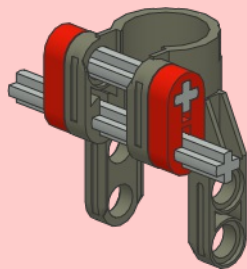


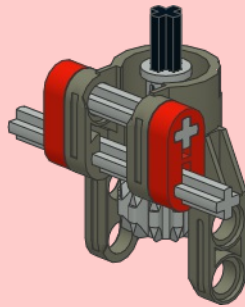
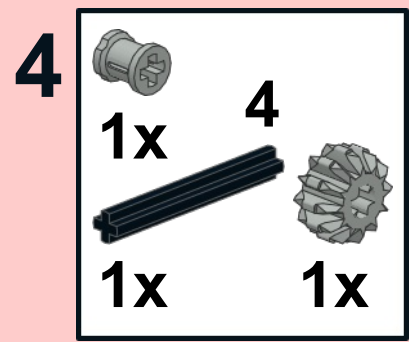
1x




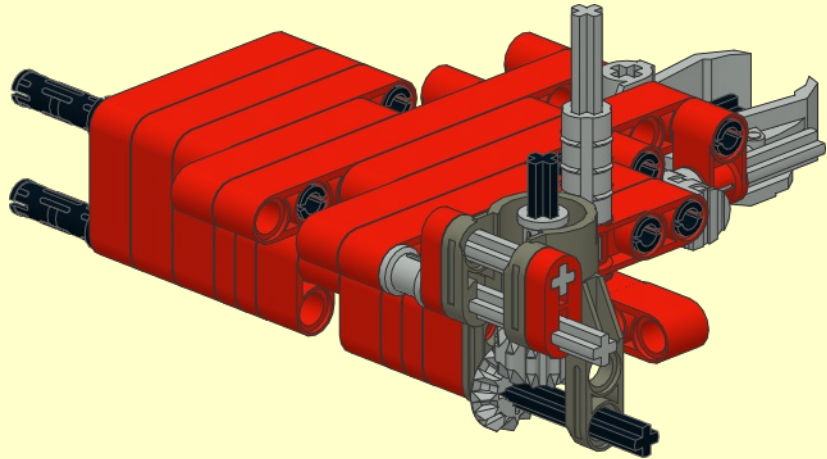


3  2x

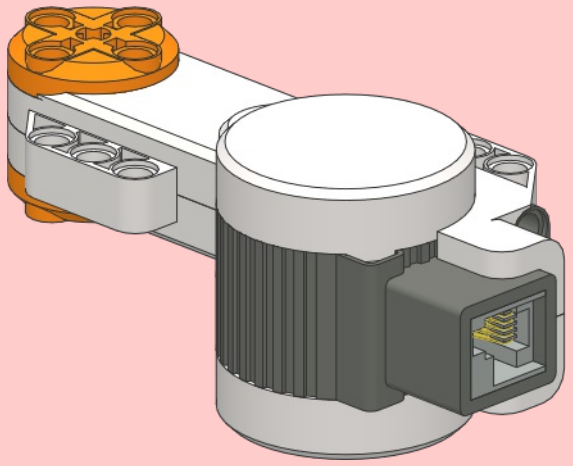
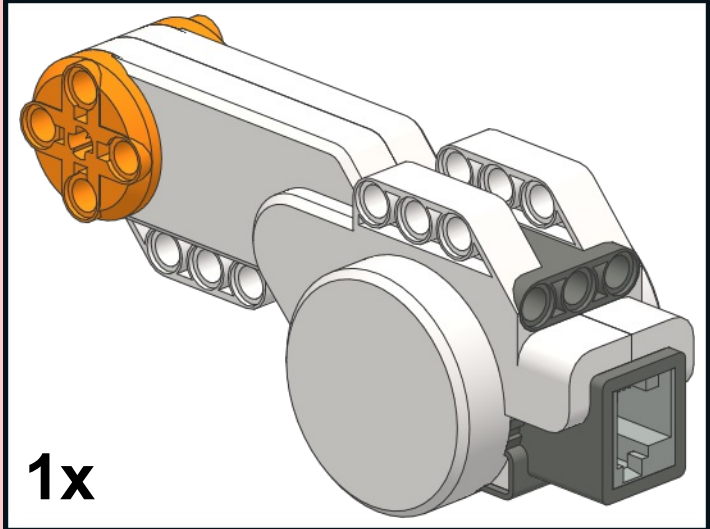





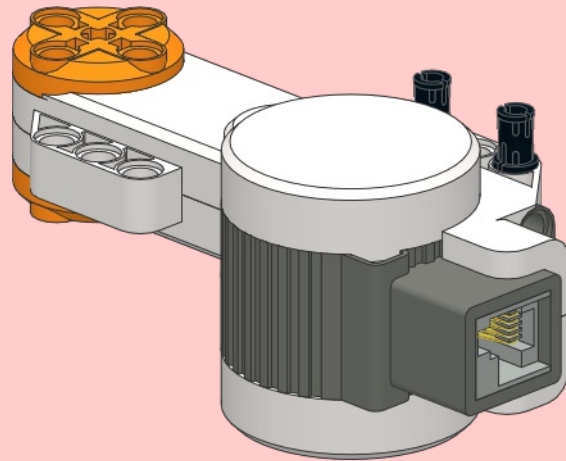
9 
1x



1



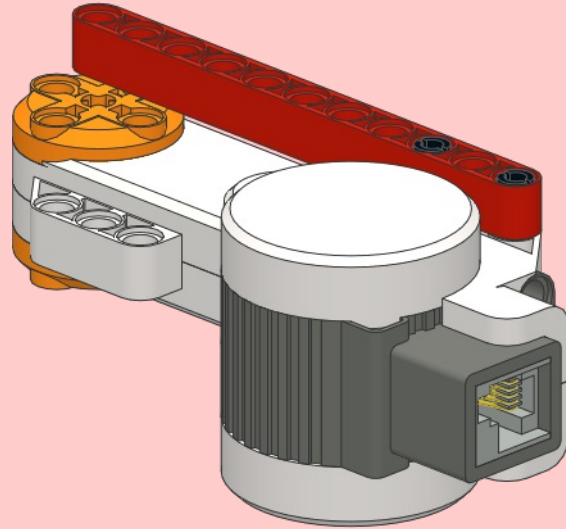
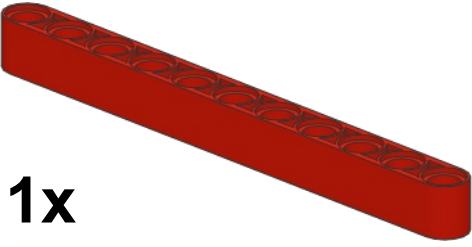
2  2x

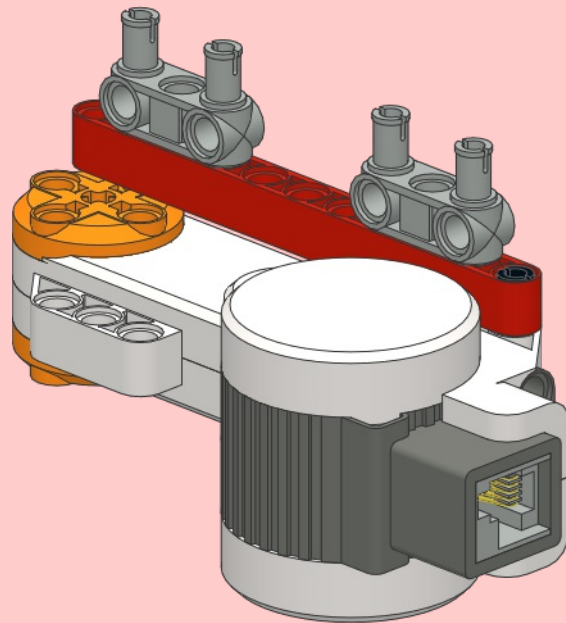
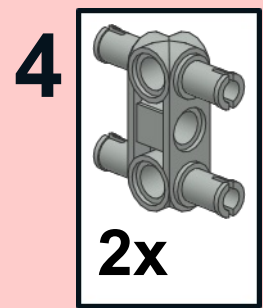


3

11

1x

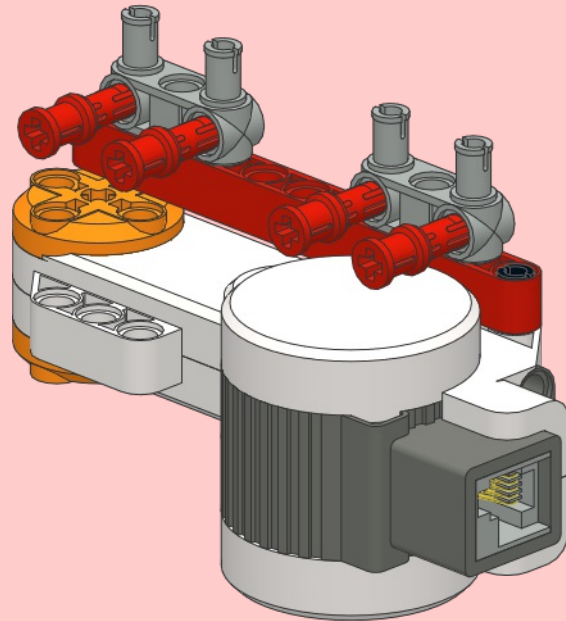




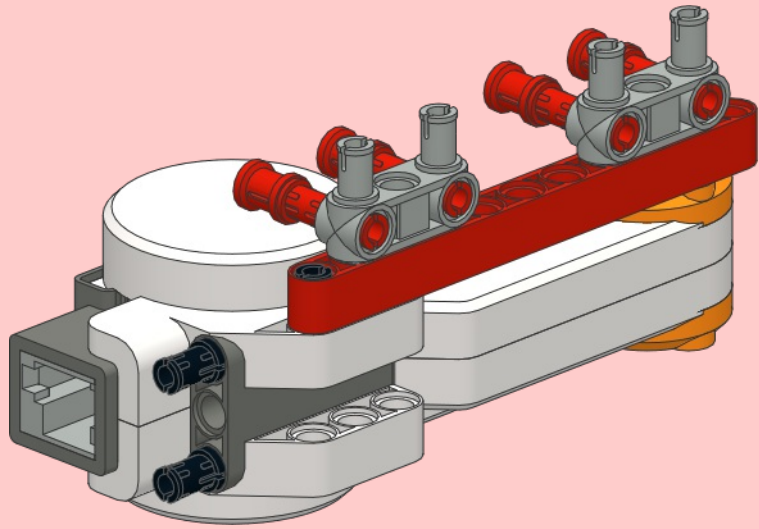
5

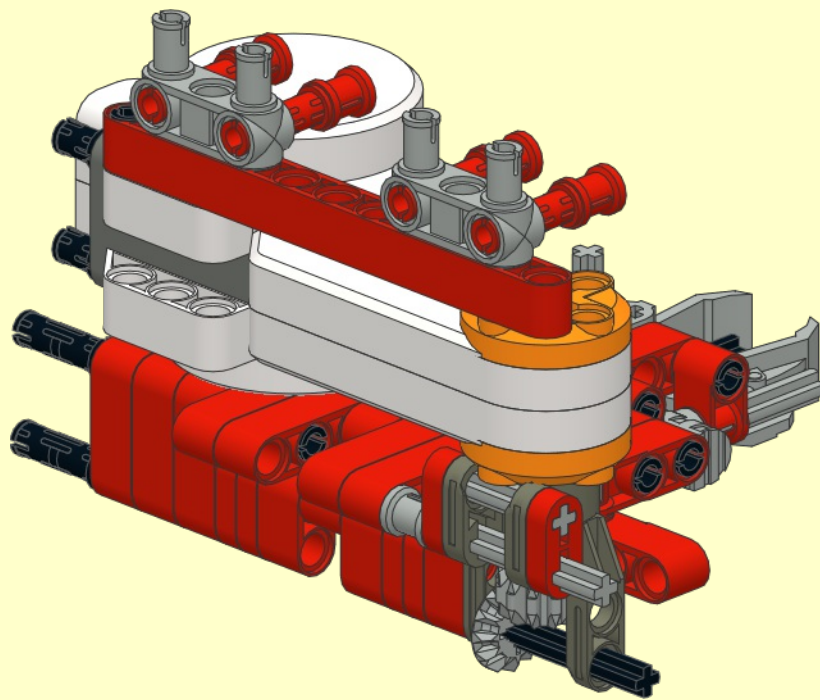


4x



6

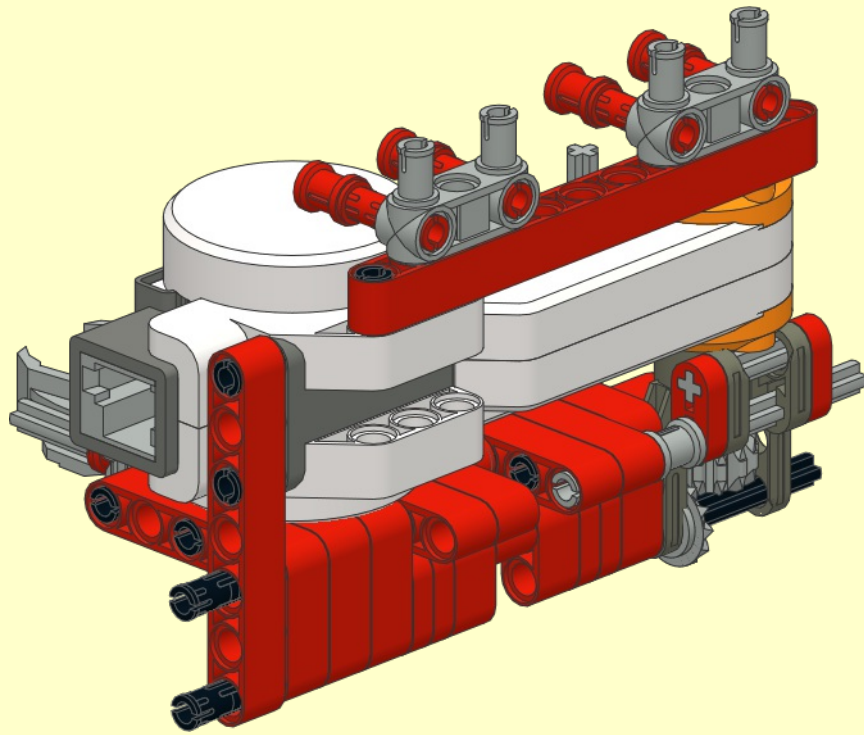
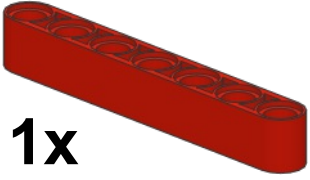






11

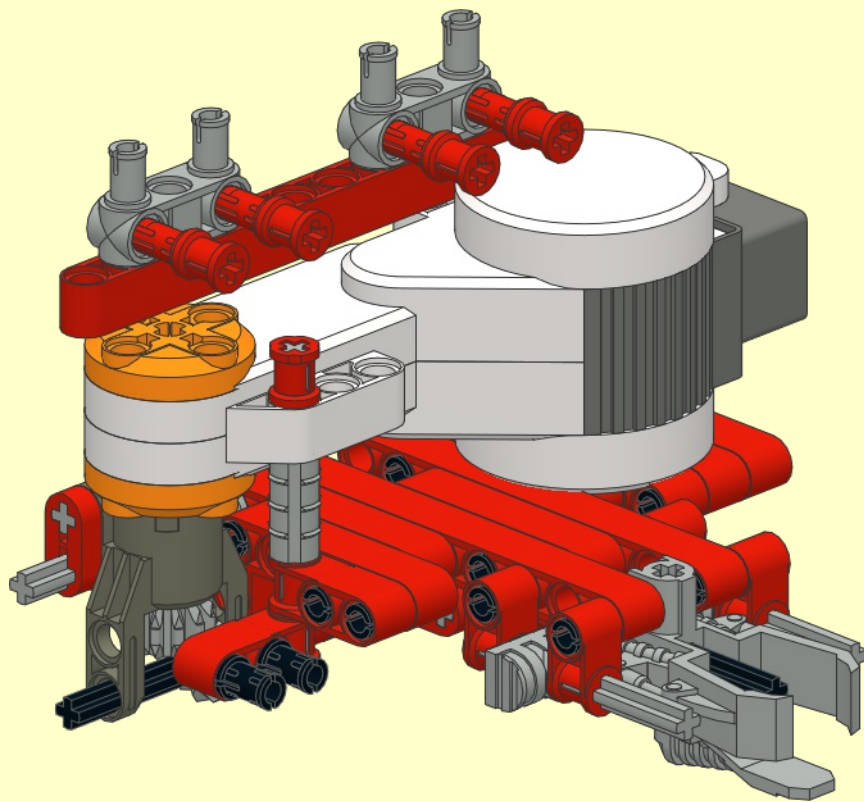
7

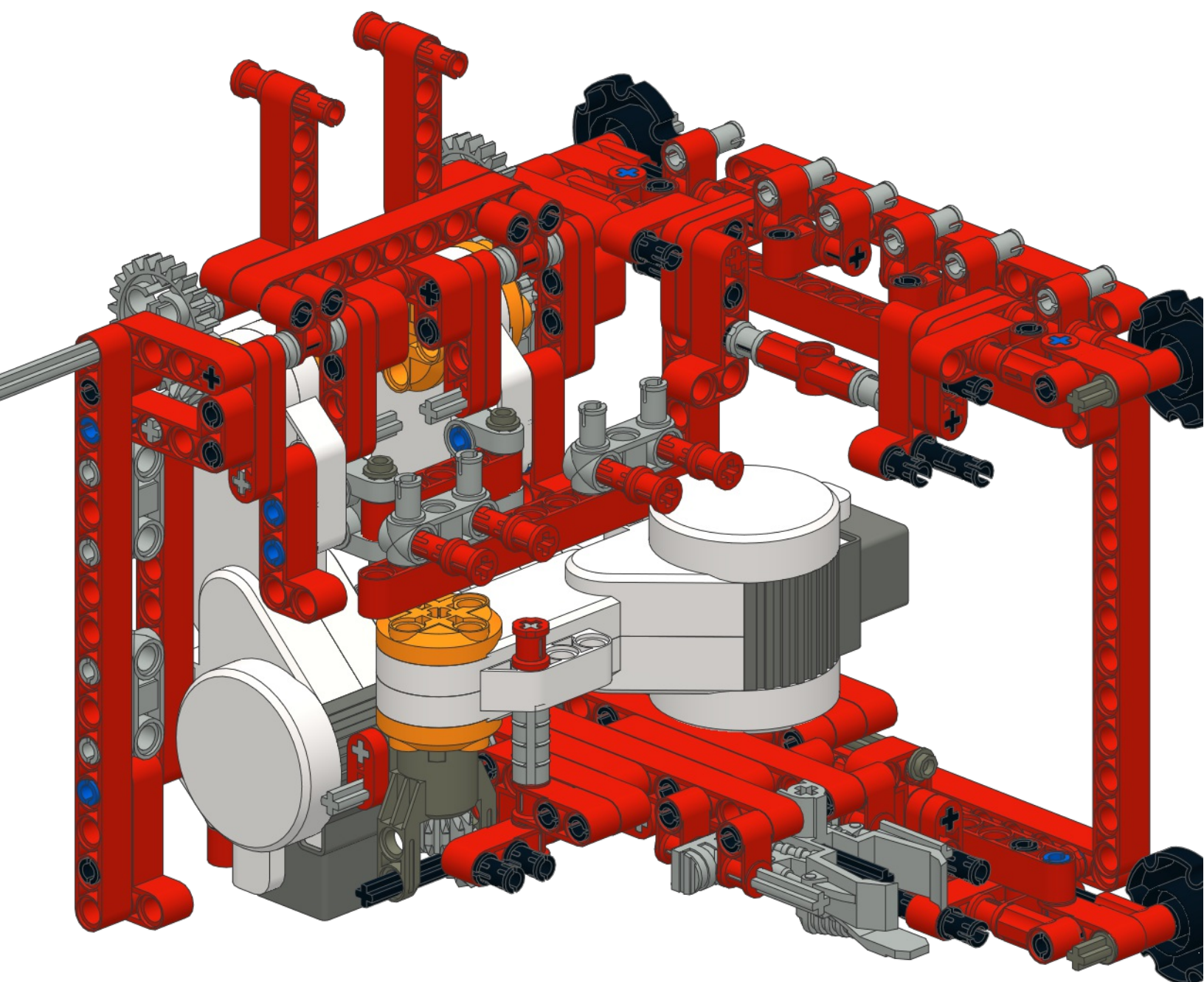
1x

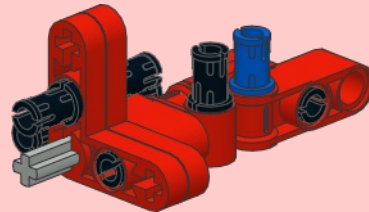
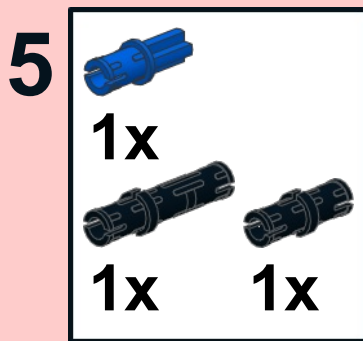
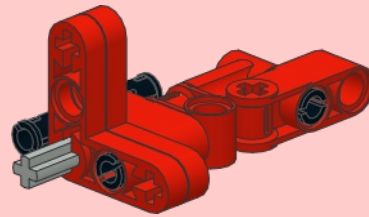
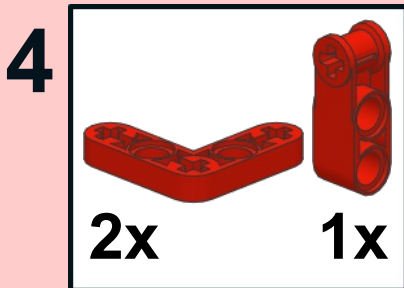
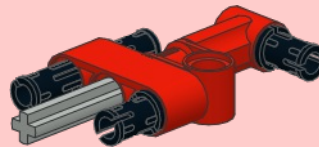
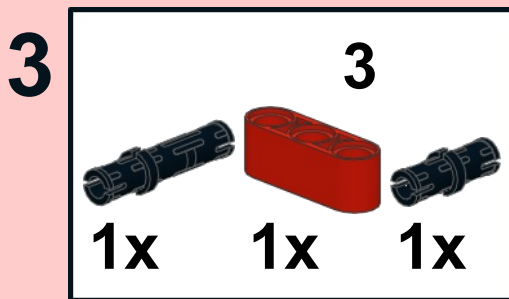
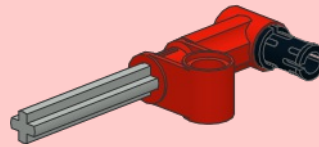
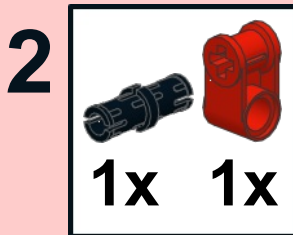
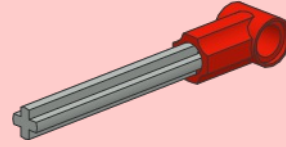
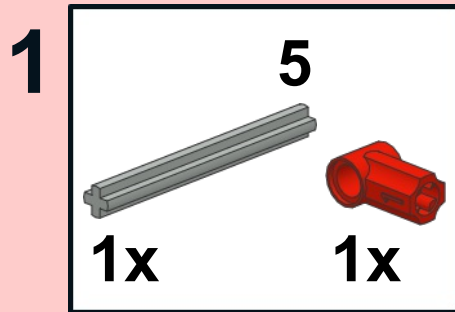


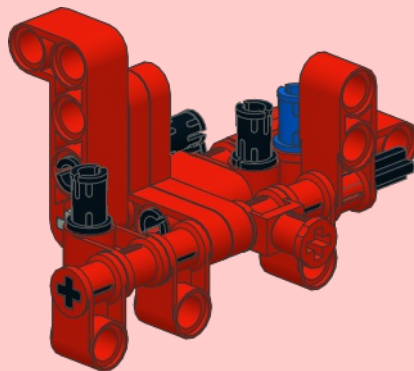
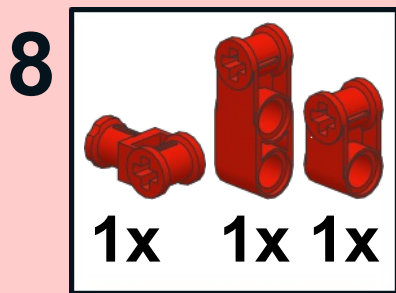
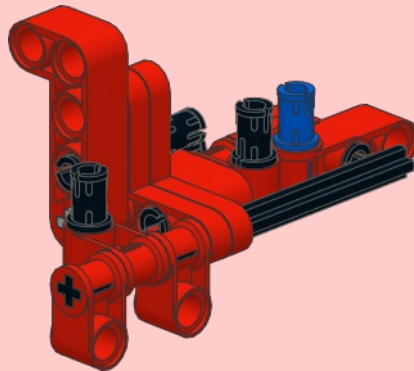
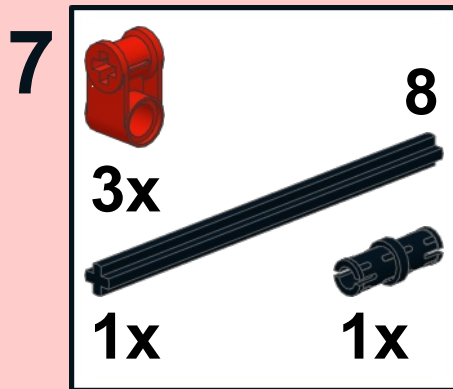
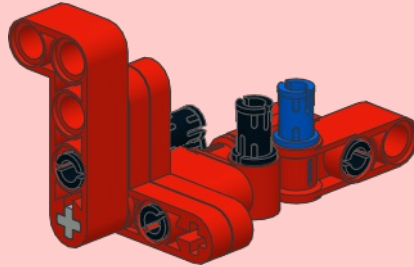
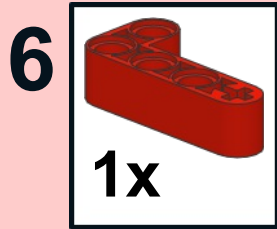
12

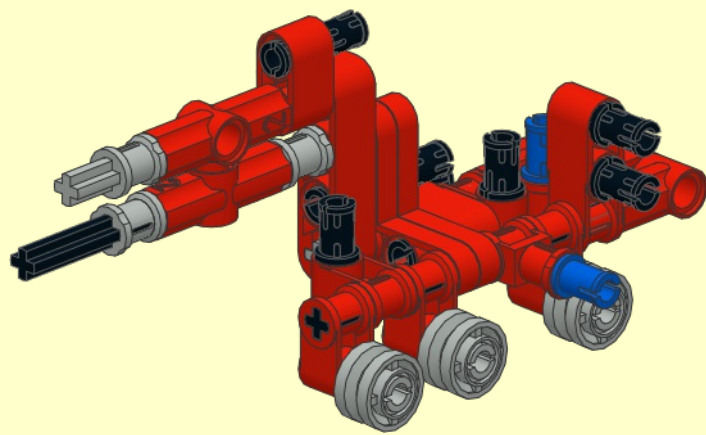
	
2x	1x

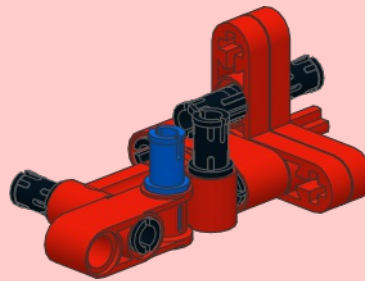
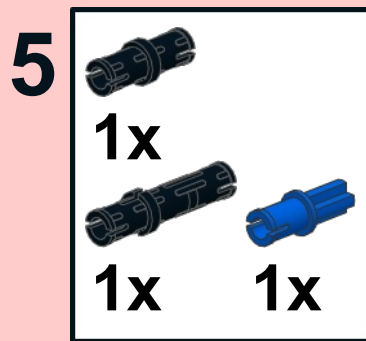
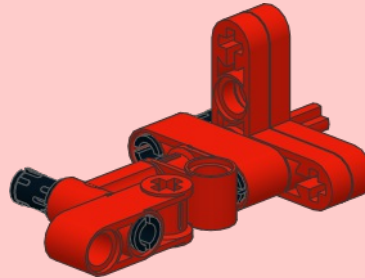
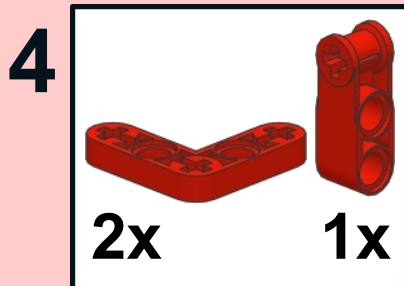
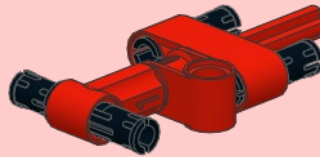
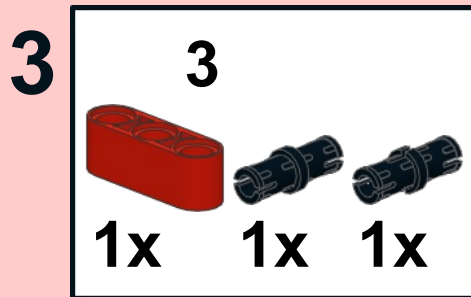
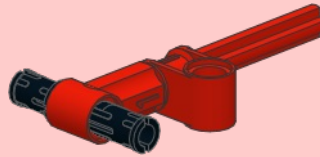
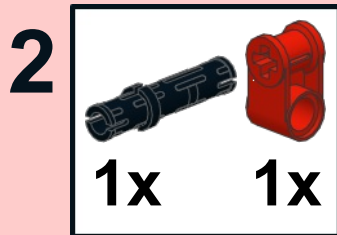
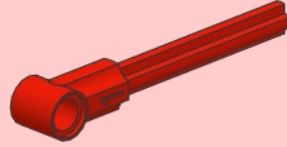
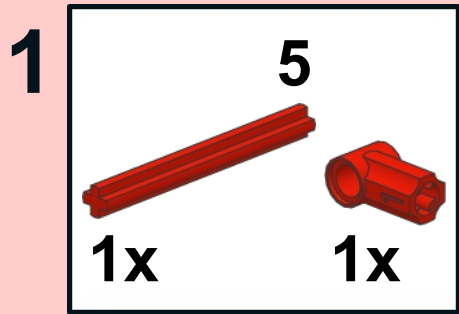


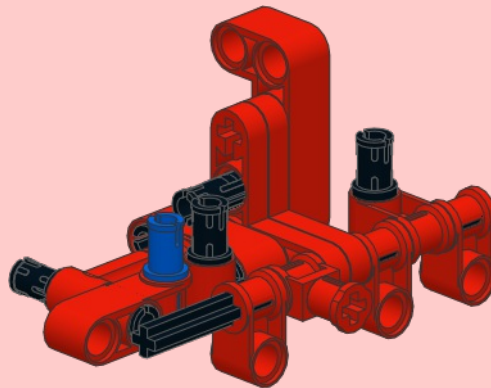
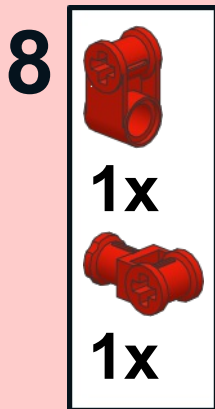
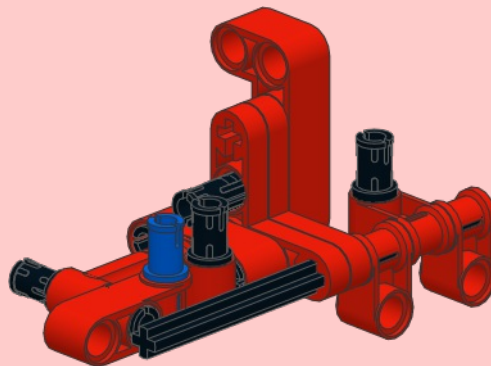
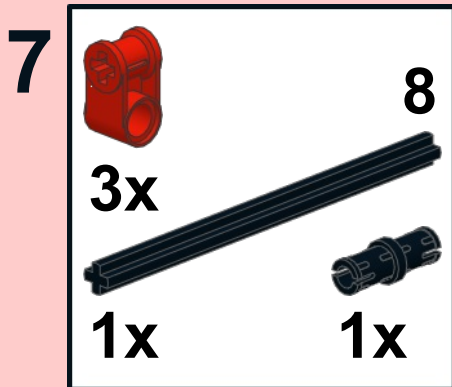
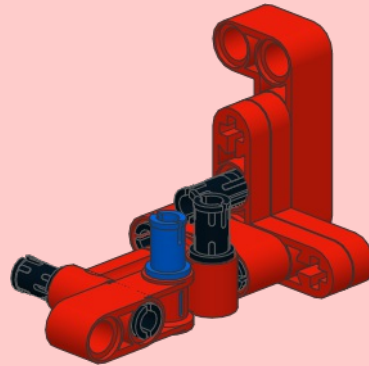
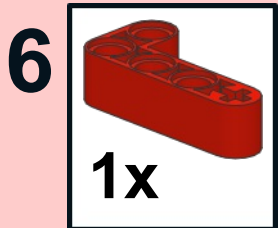




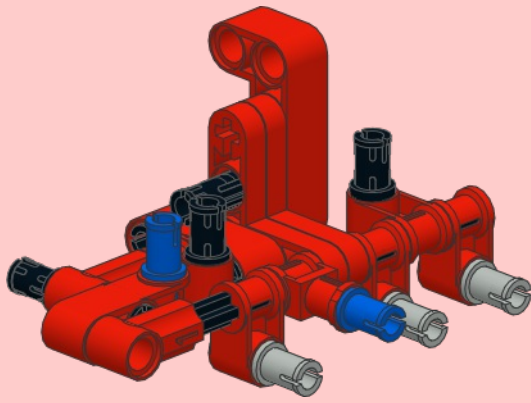
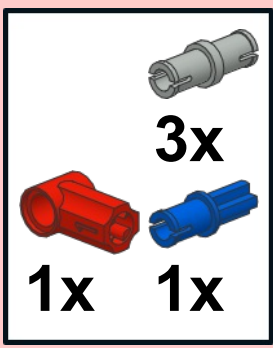


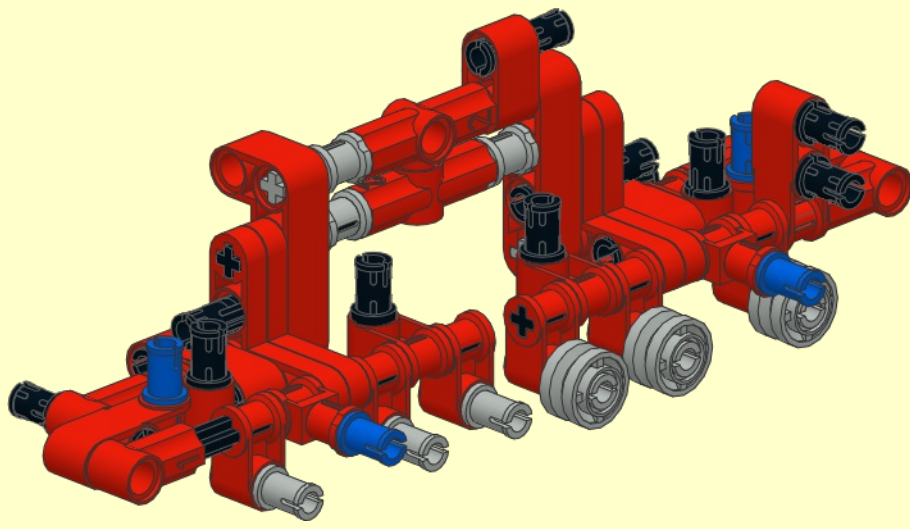


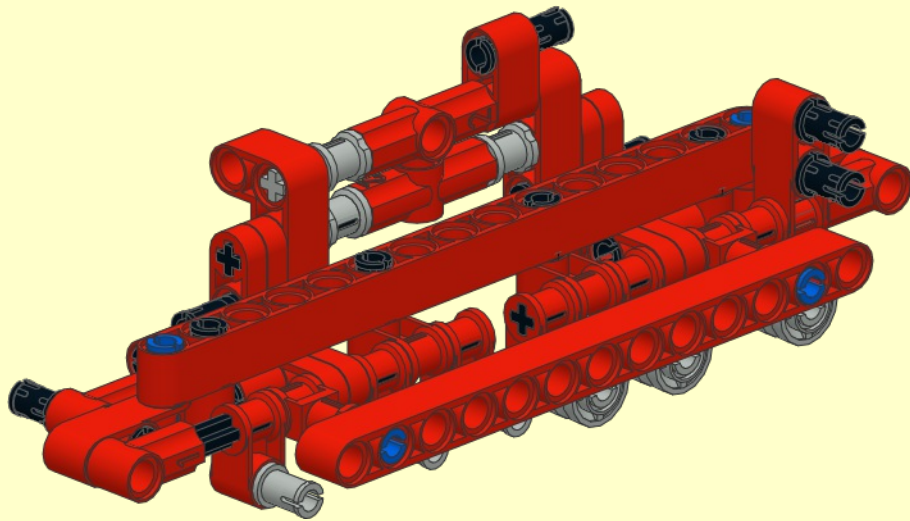
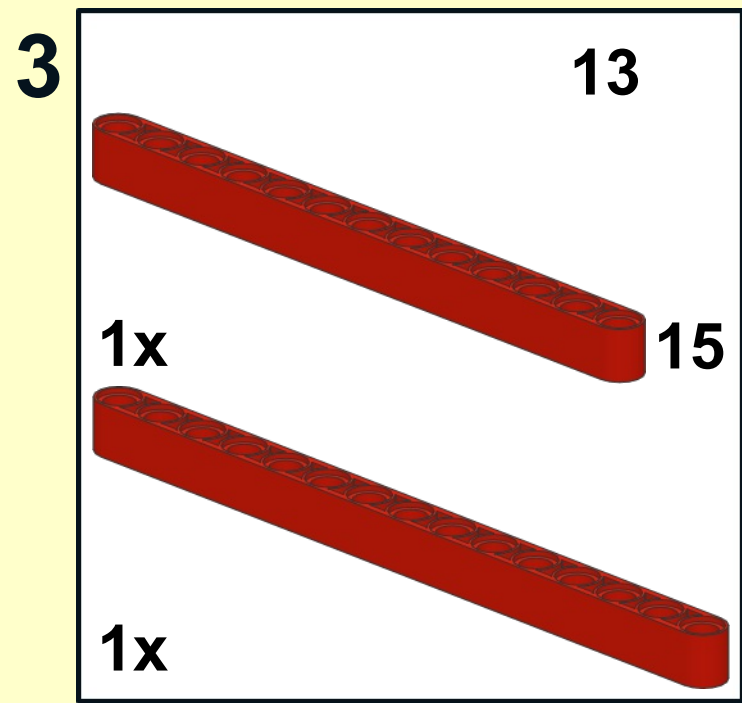




9





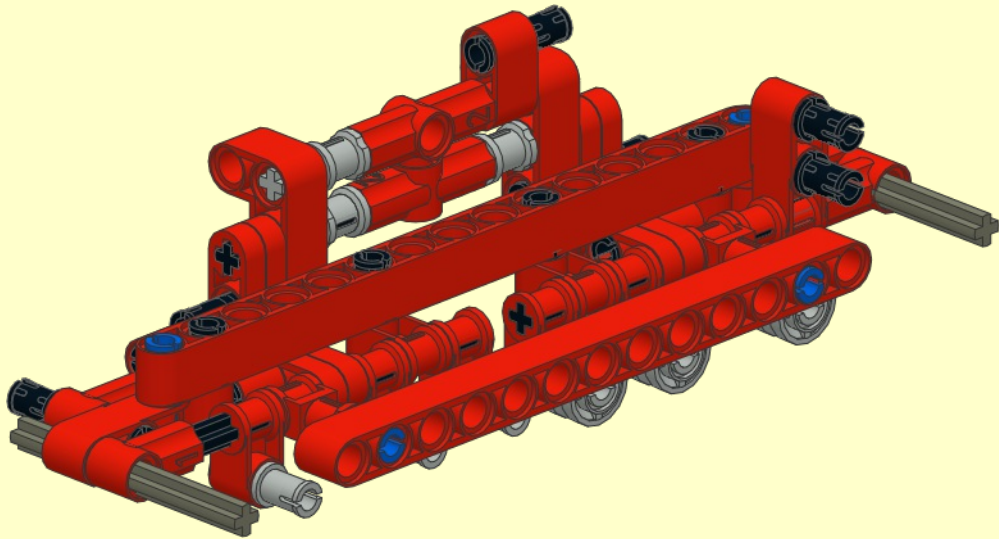


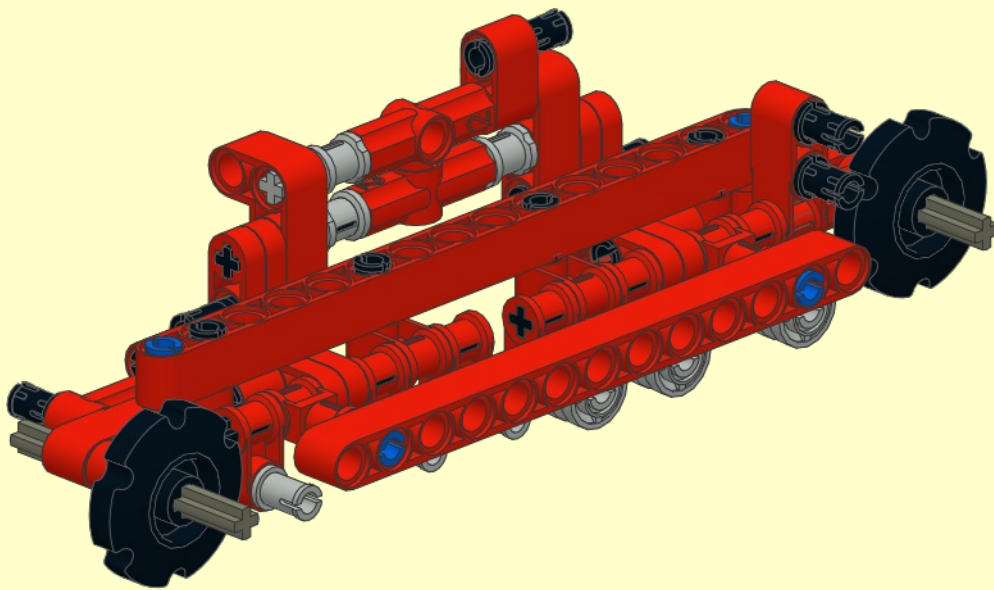
4

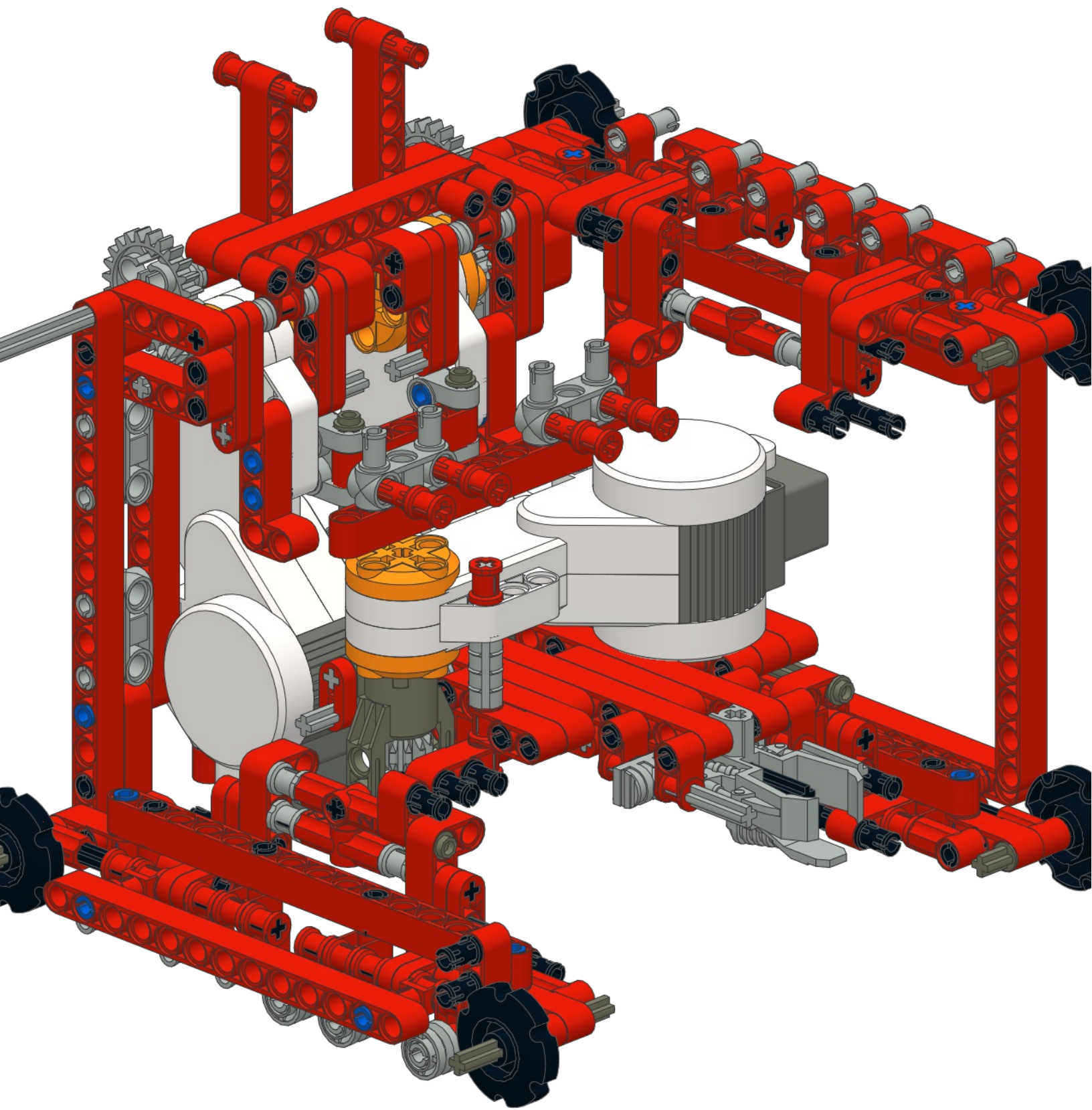
5

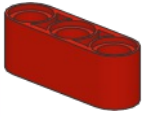


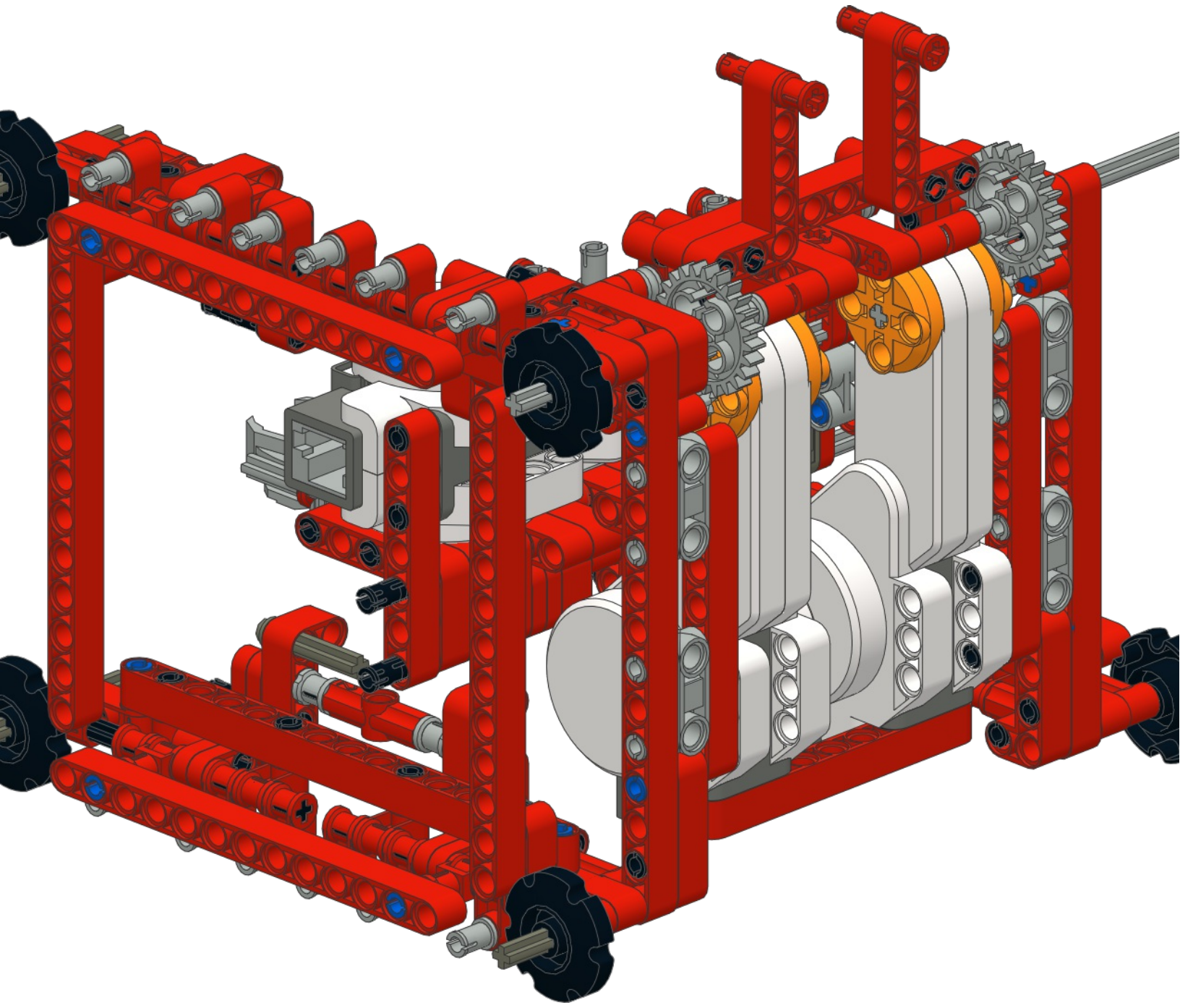
2x




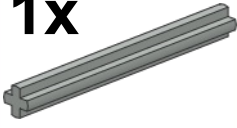


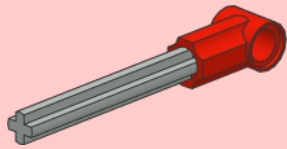


8 **3**

1x

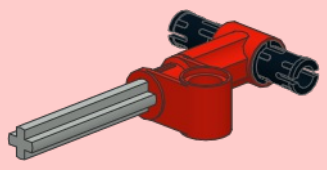


1

	5
1x	
	
1x	



2



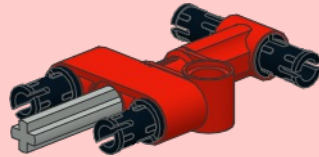
3



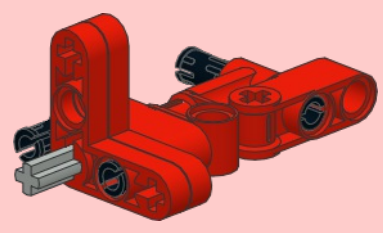
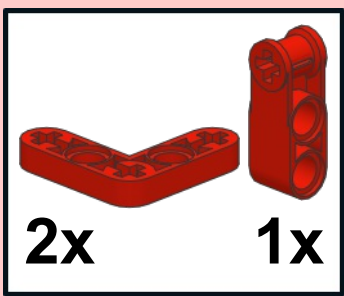
2x 3



1x



4



5



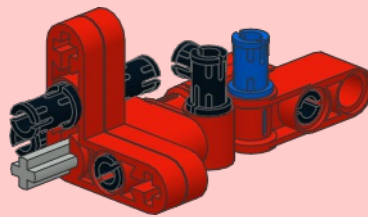
1x

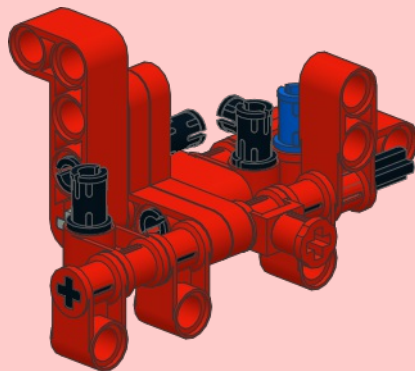
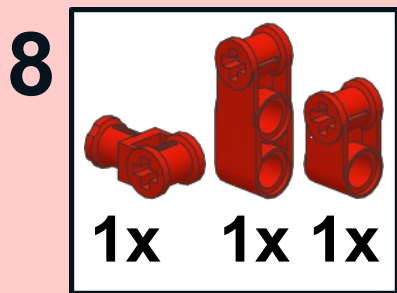
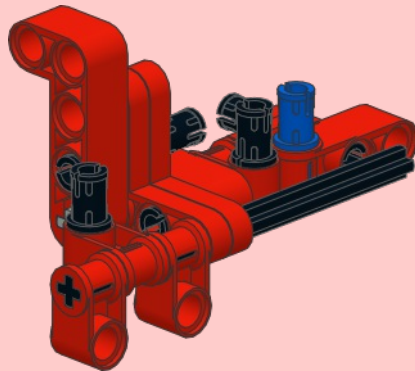
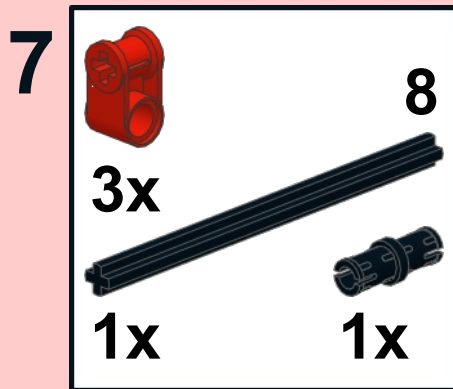
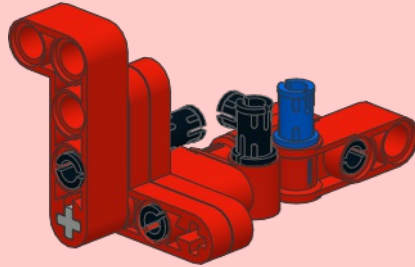
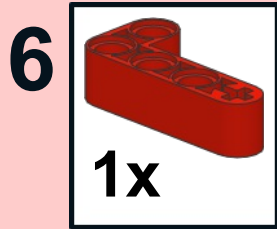


1x

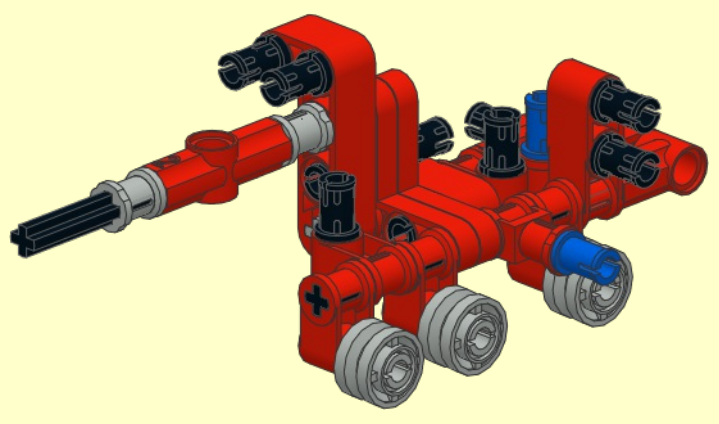


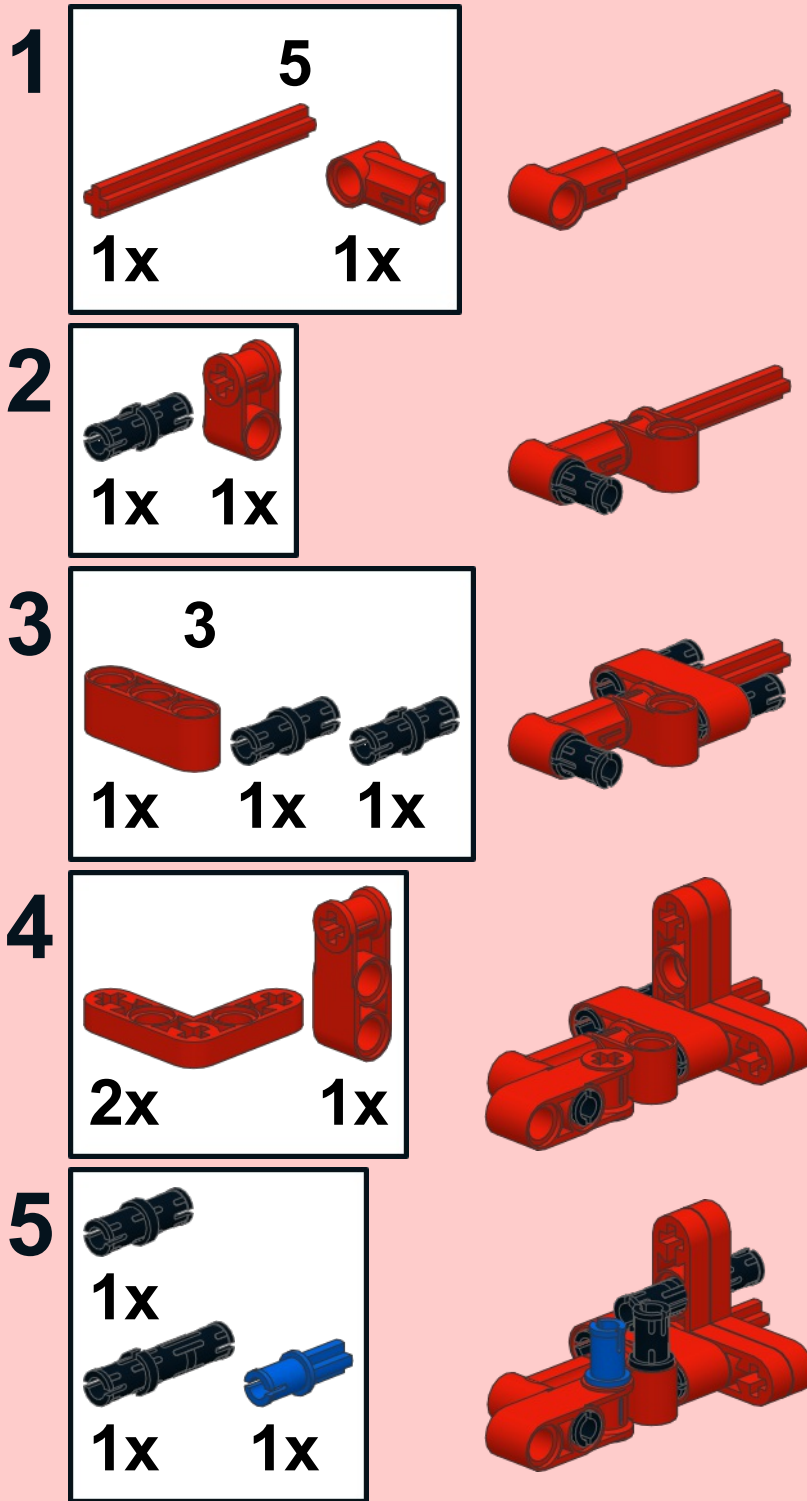
1x

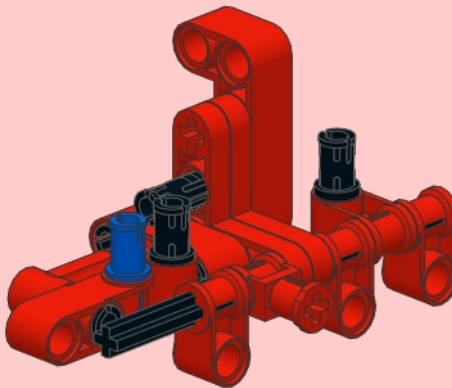
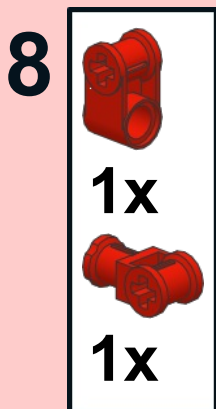
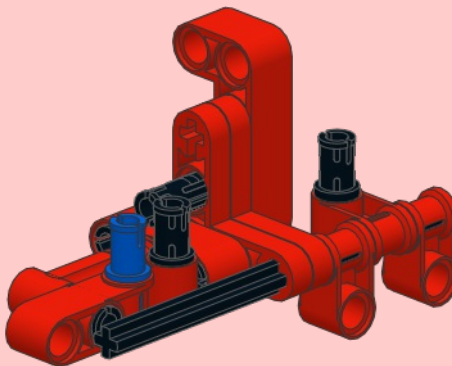
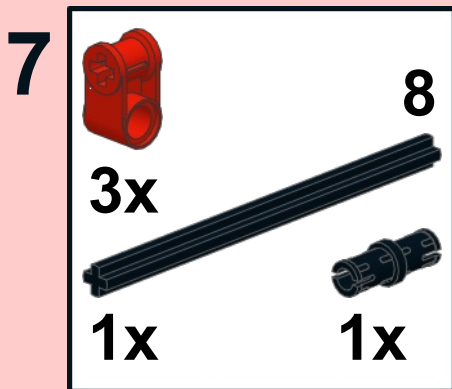
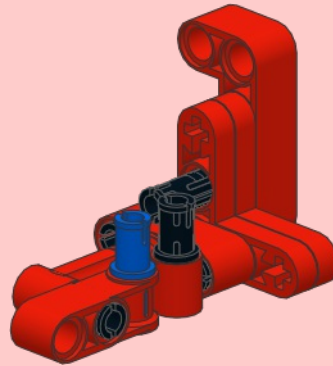
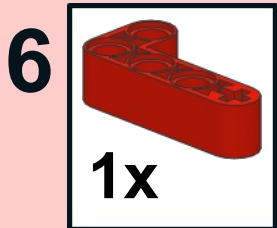




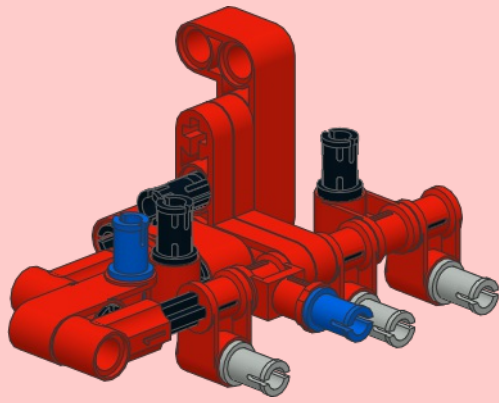
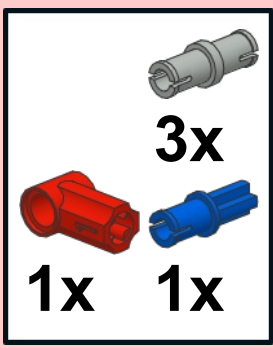
1

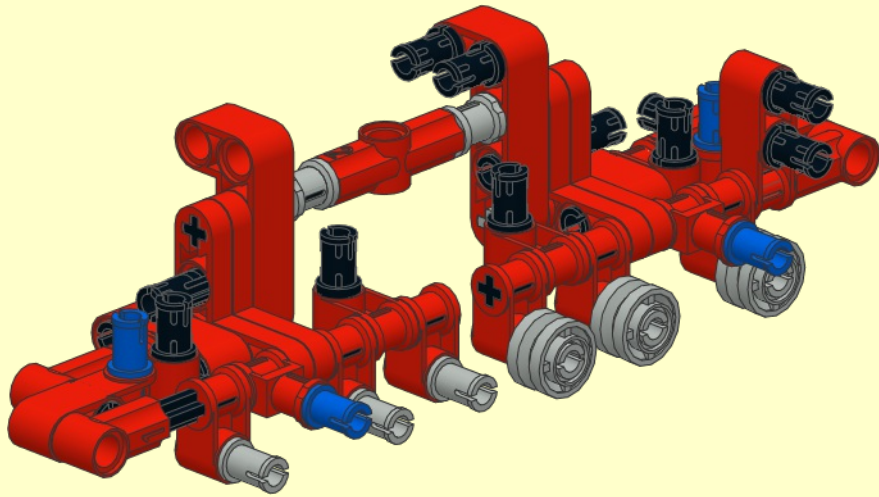


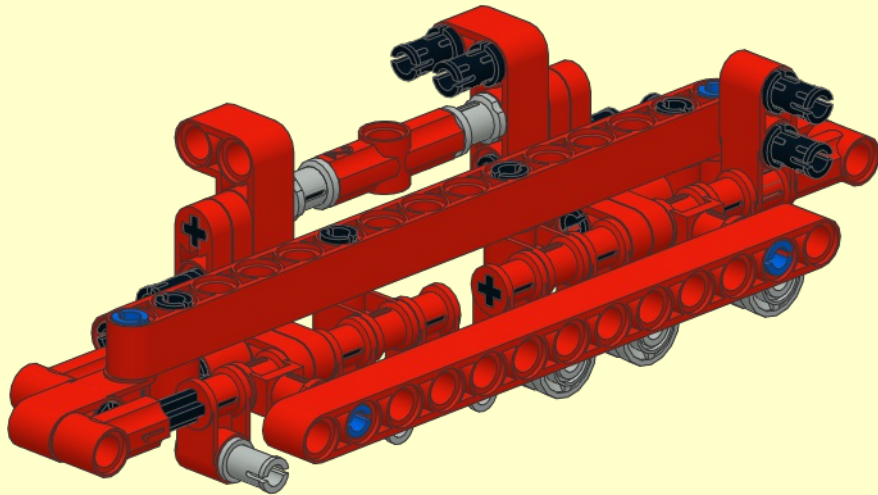
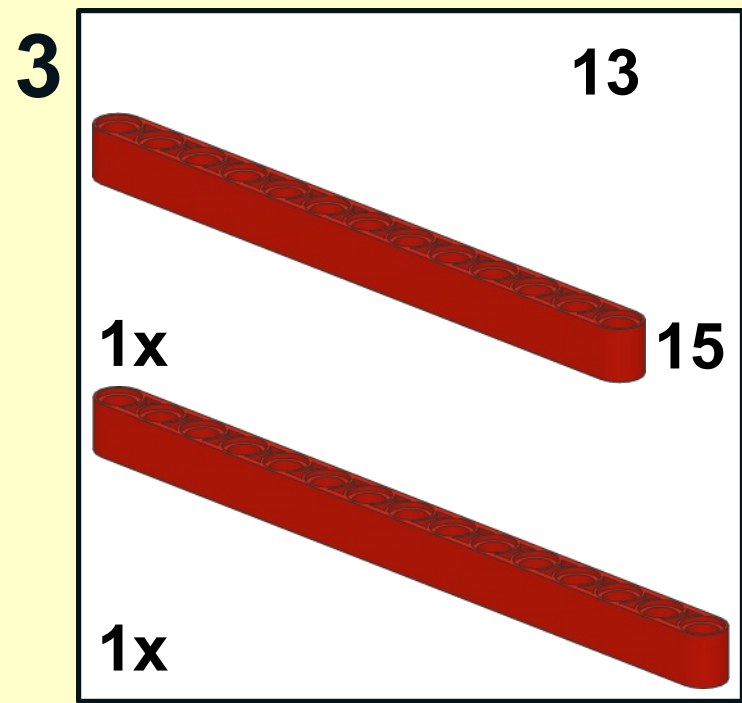


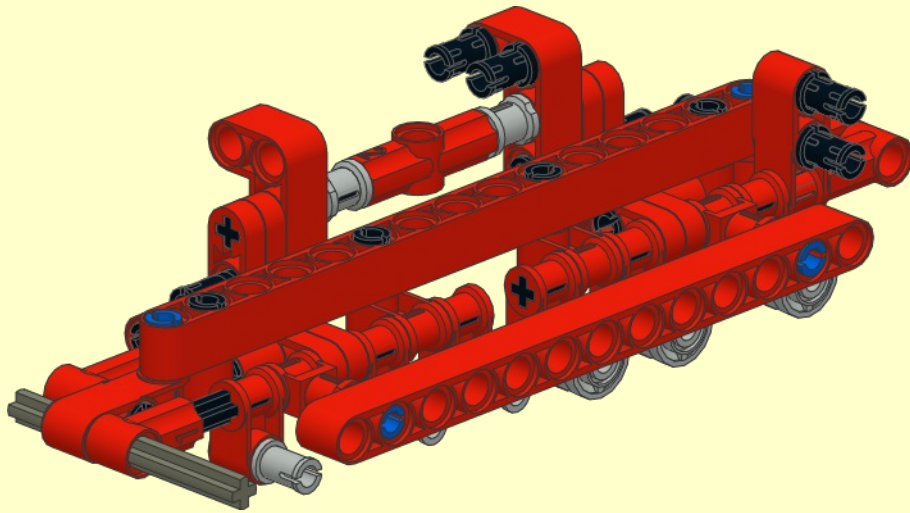
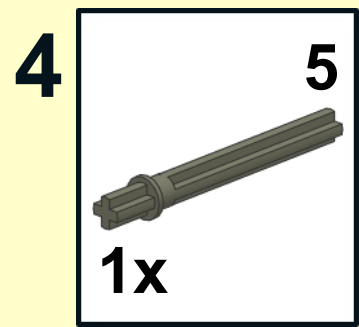


9





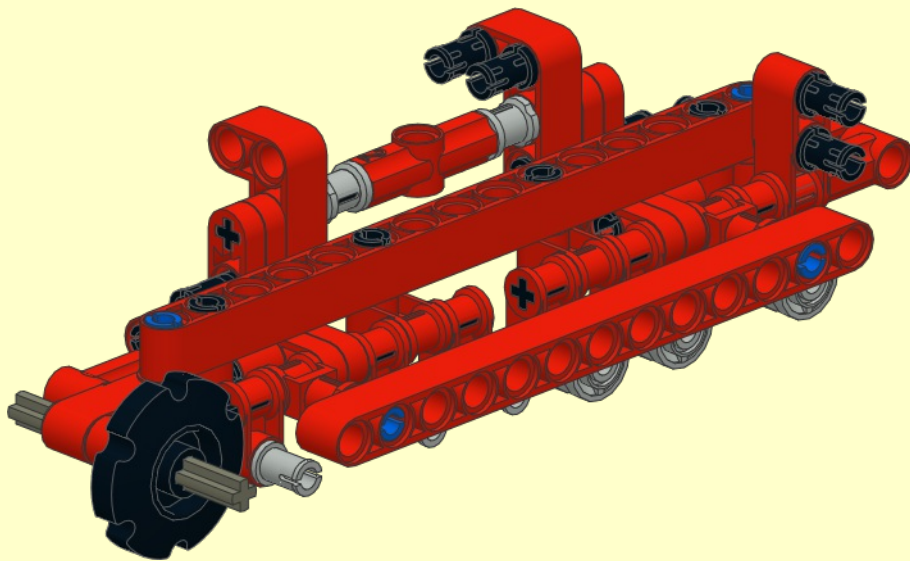


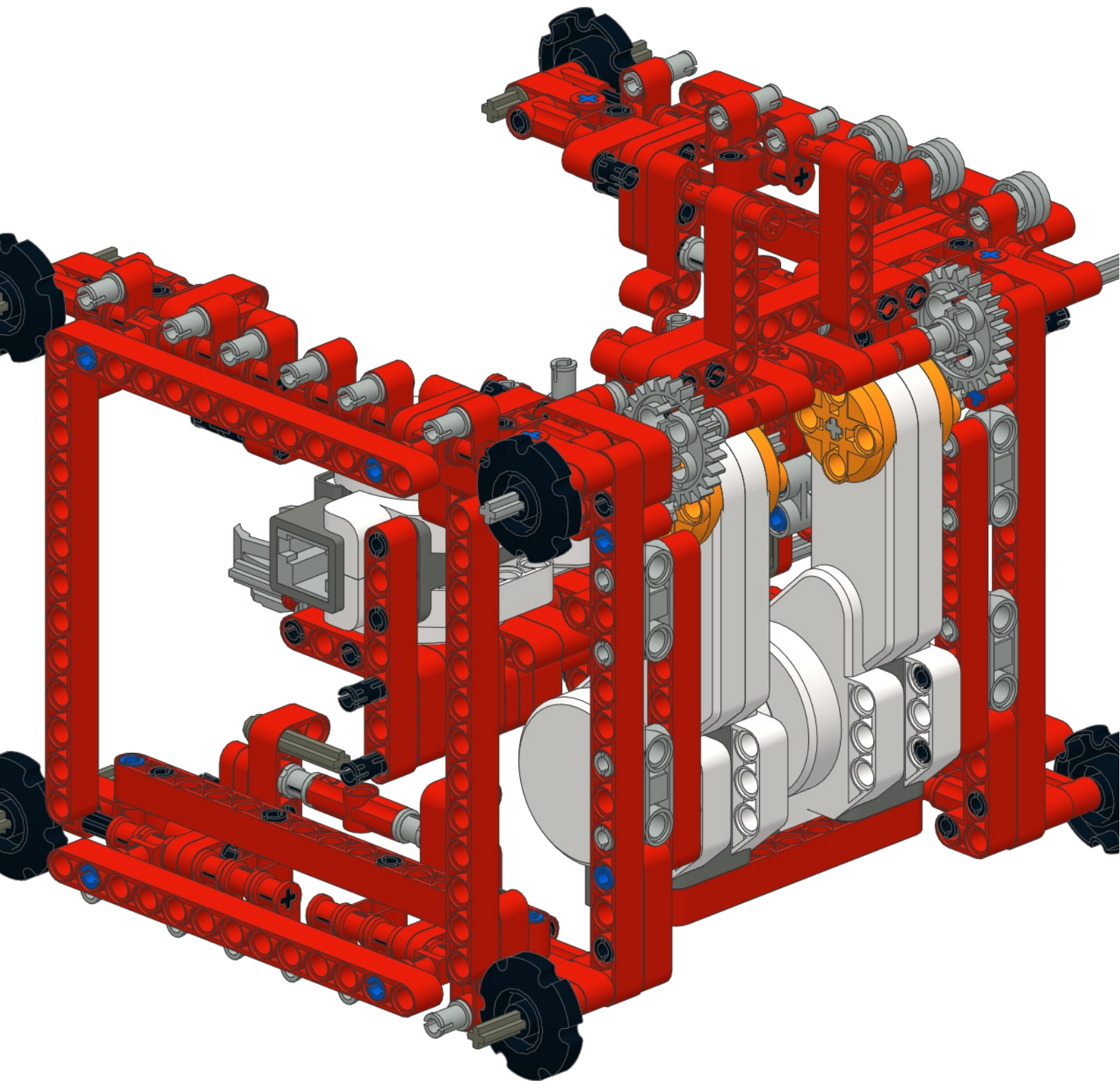


5

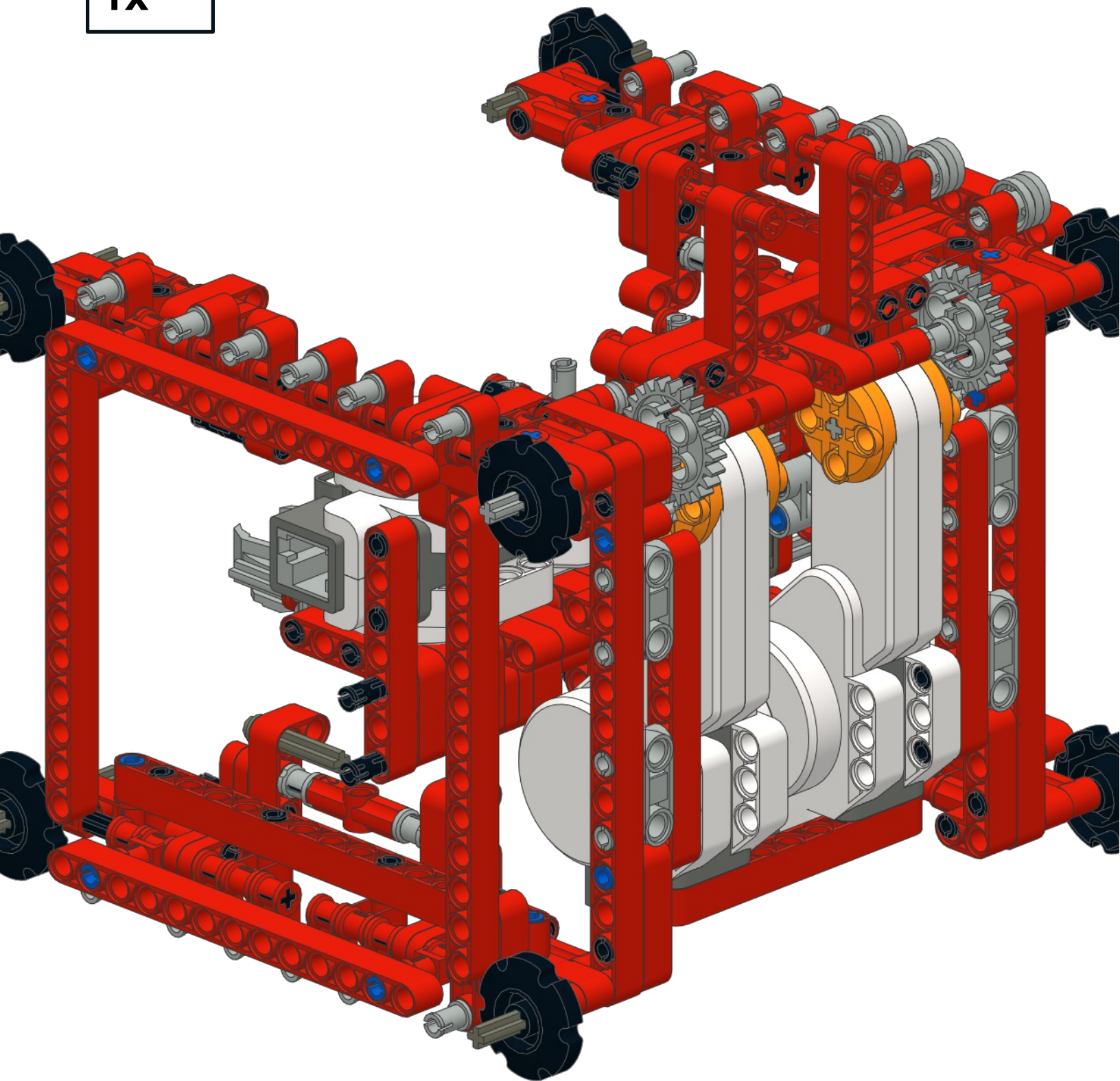


1x



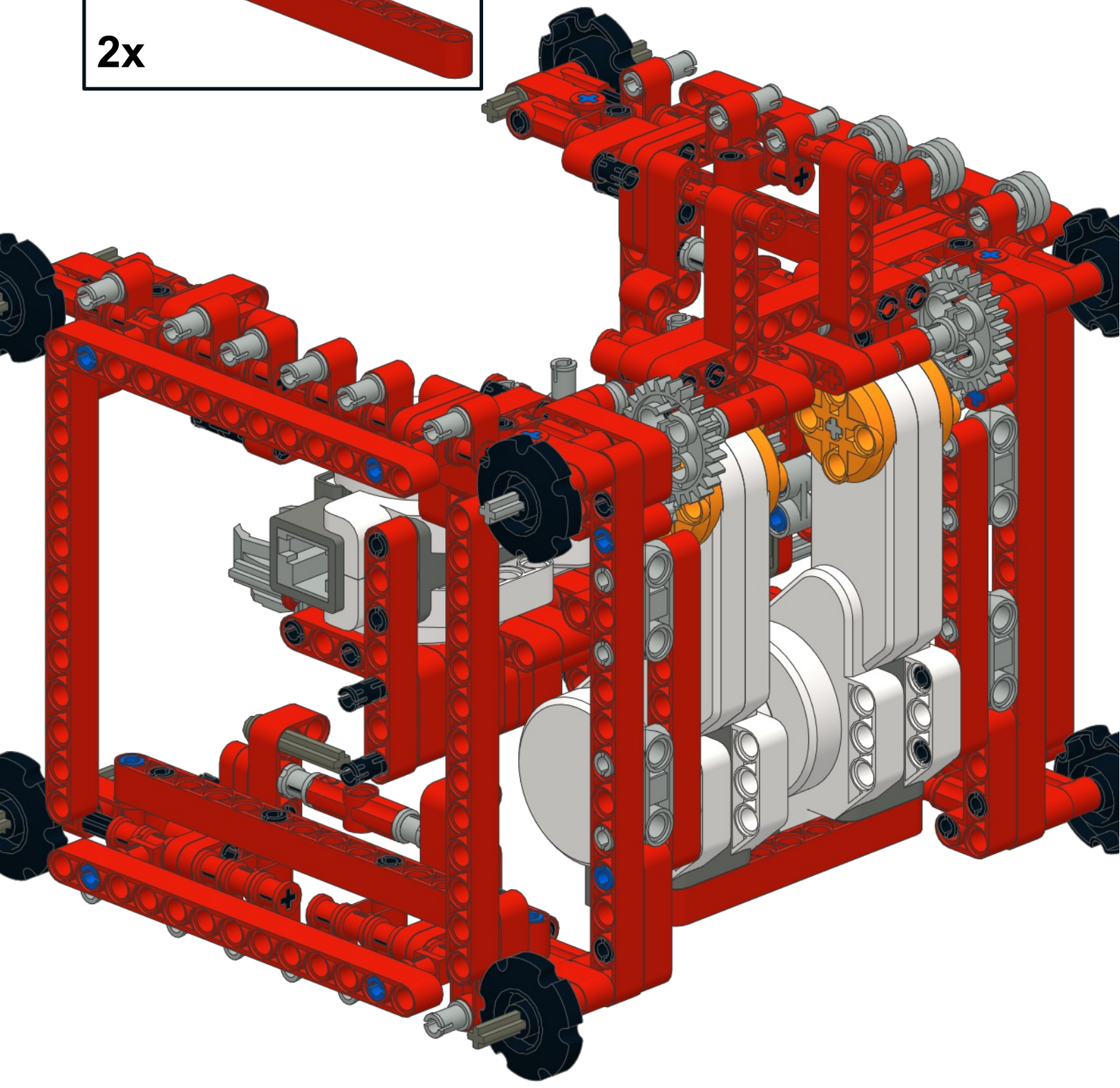
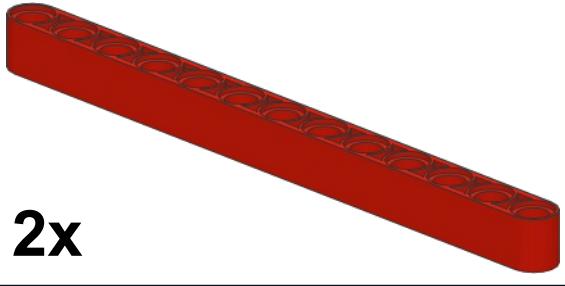


10



11

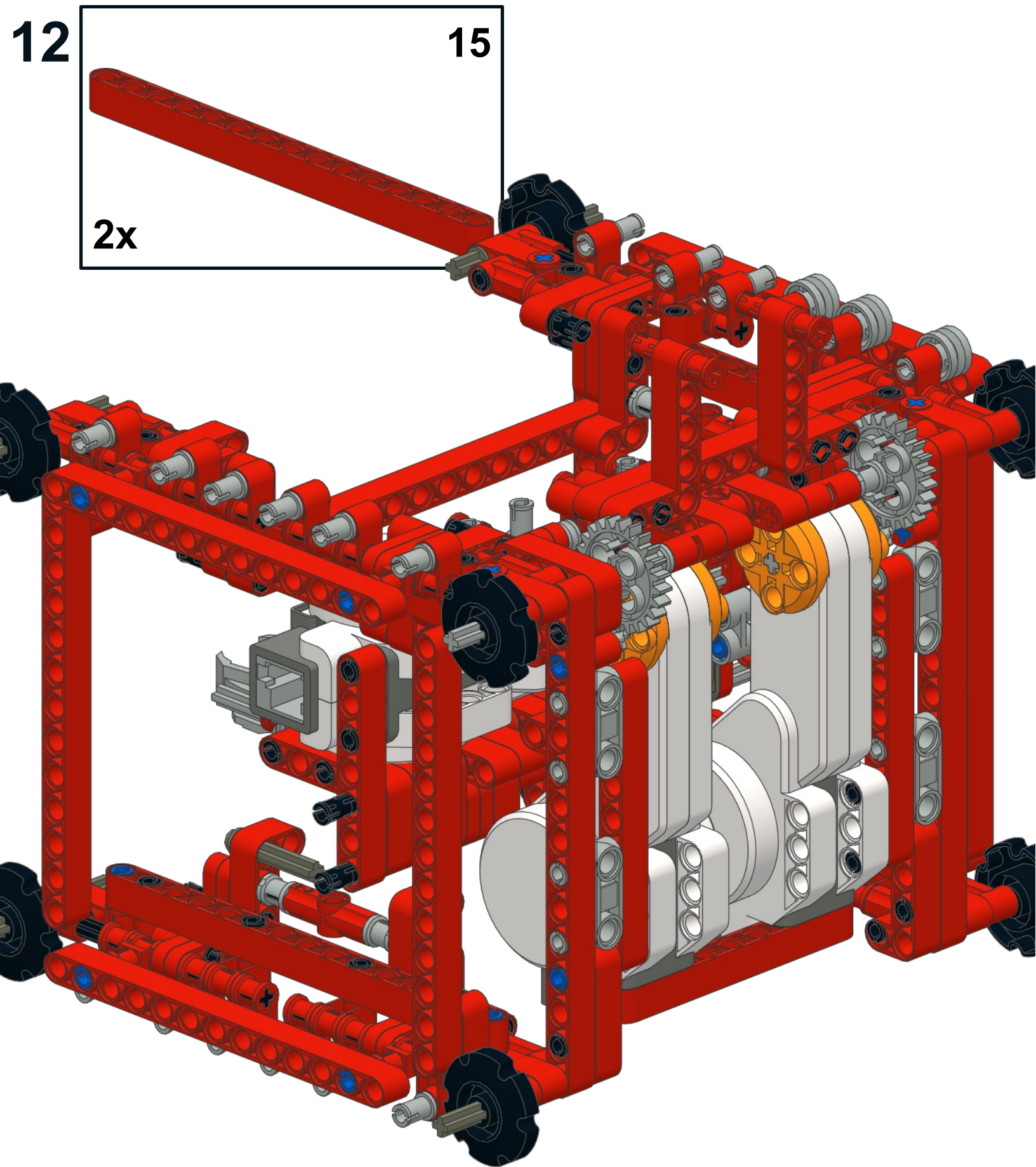
13



12

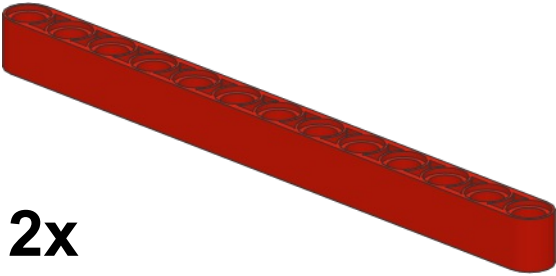
15

2x

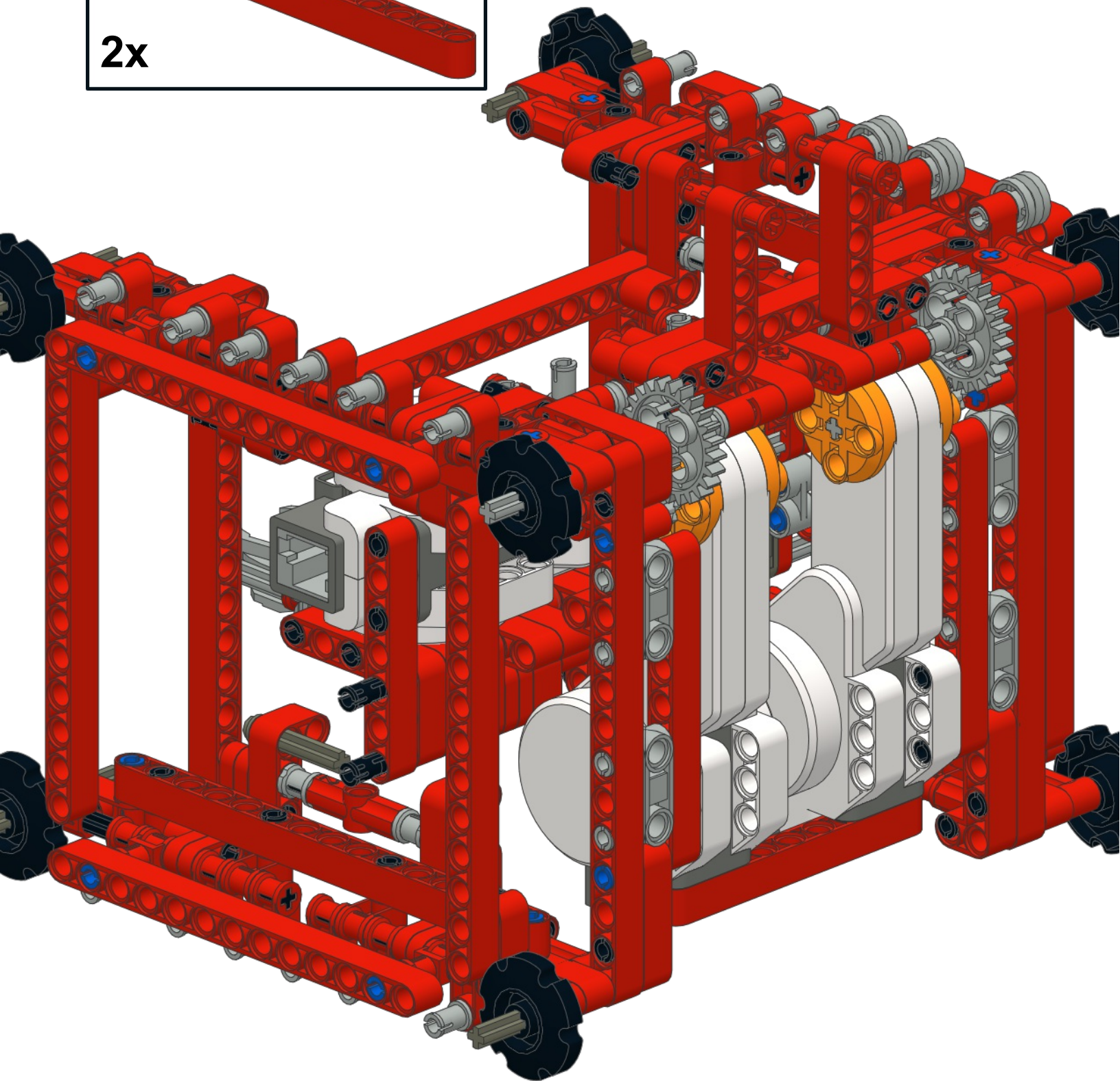


13

13



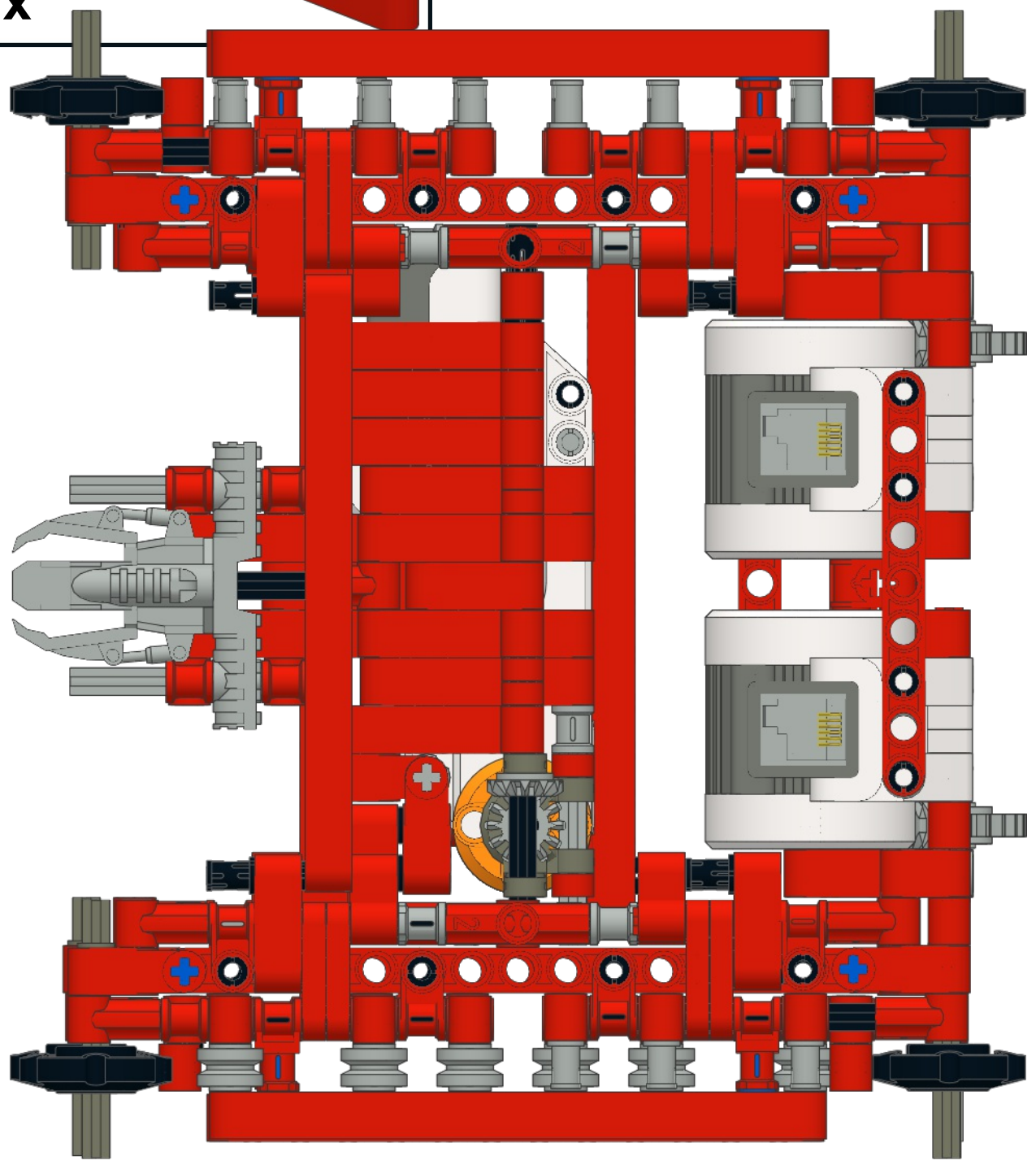
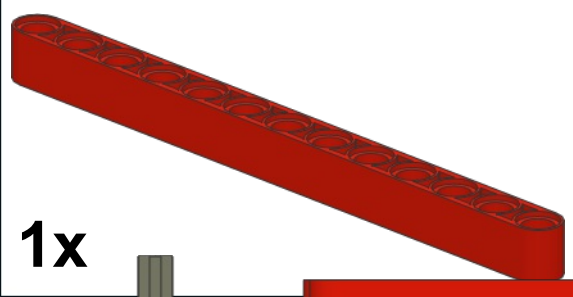
2x



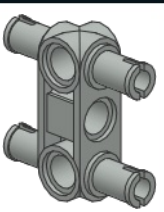
14

13

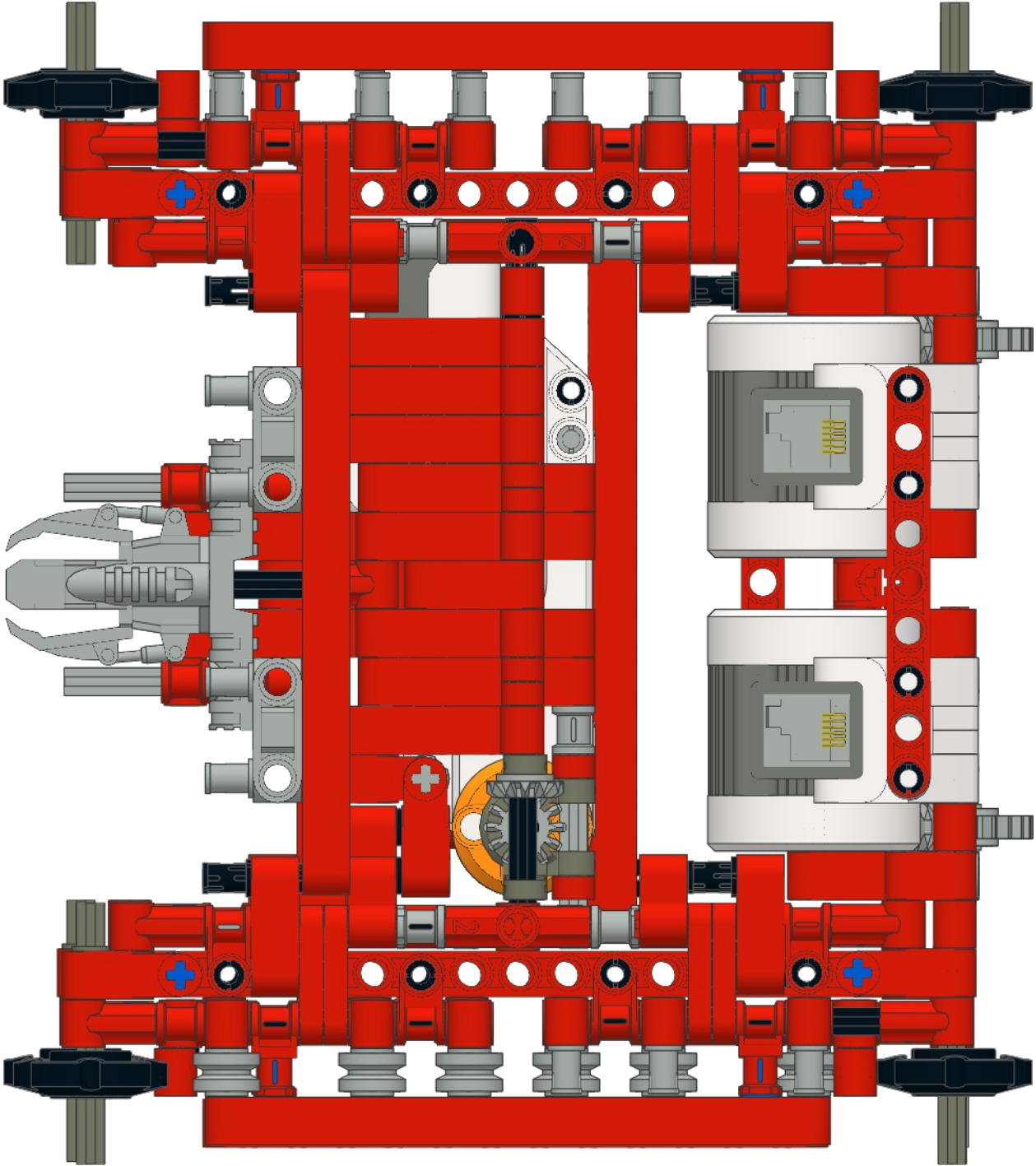
1x



15



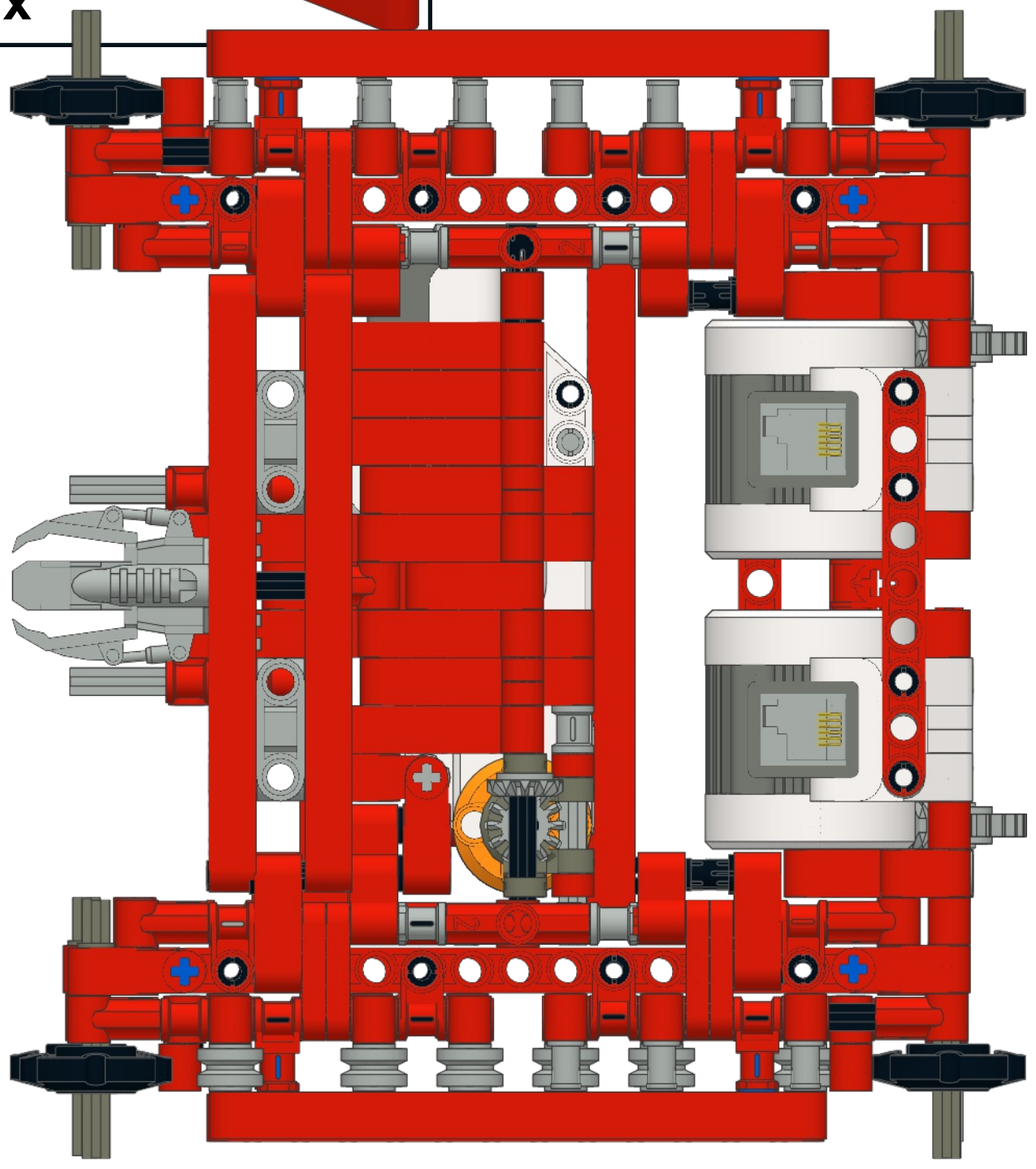
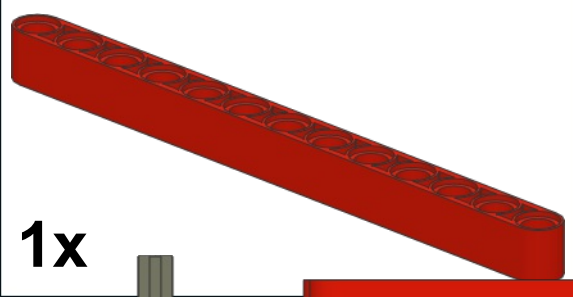
2x



16

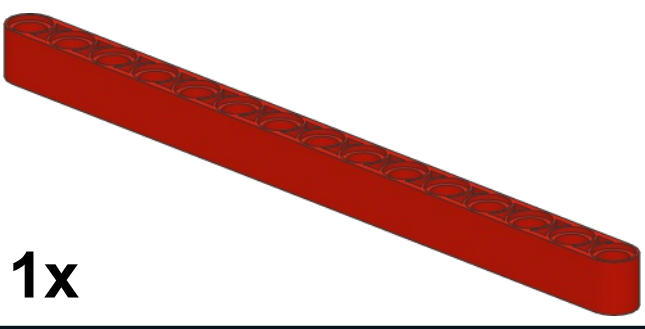
13

1x

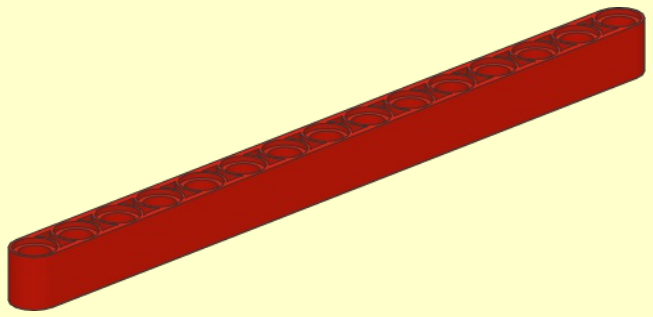


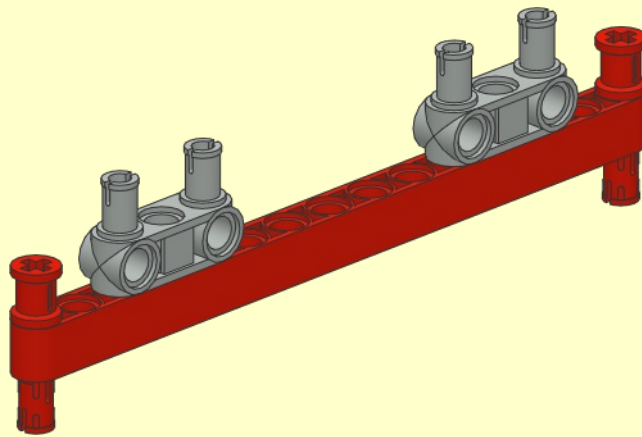
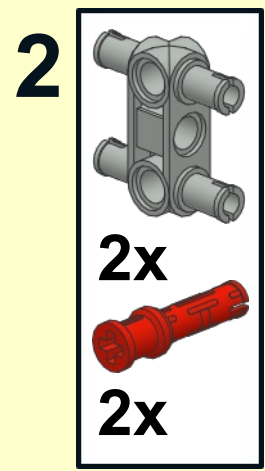
1

15



1x



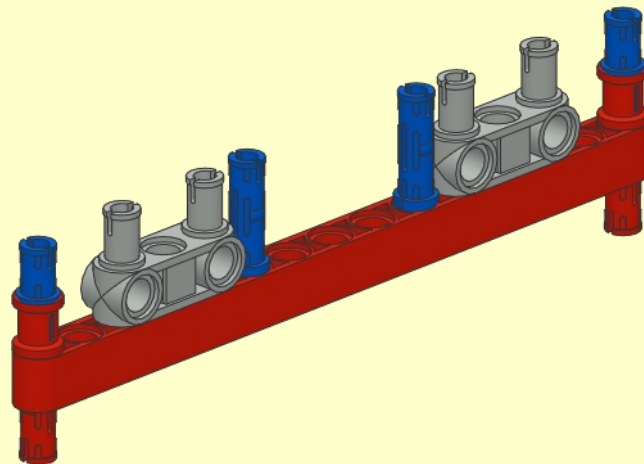


3

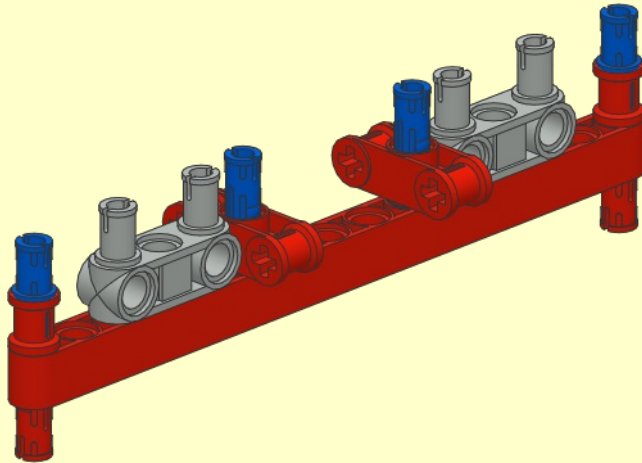


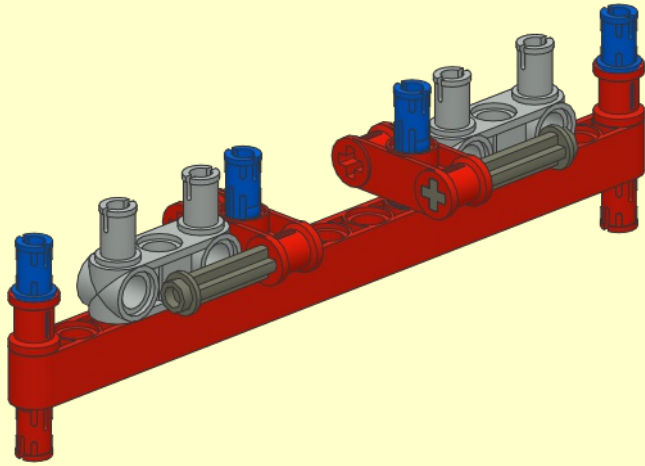
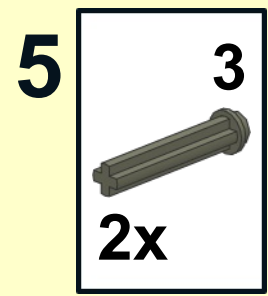
2x

2x



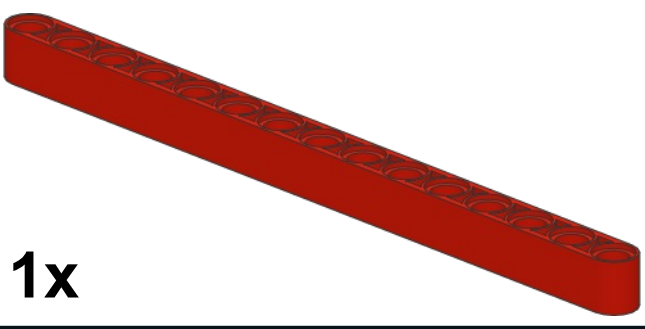
4
2x



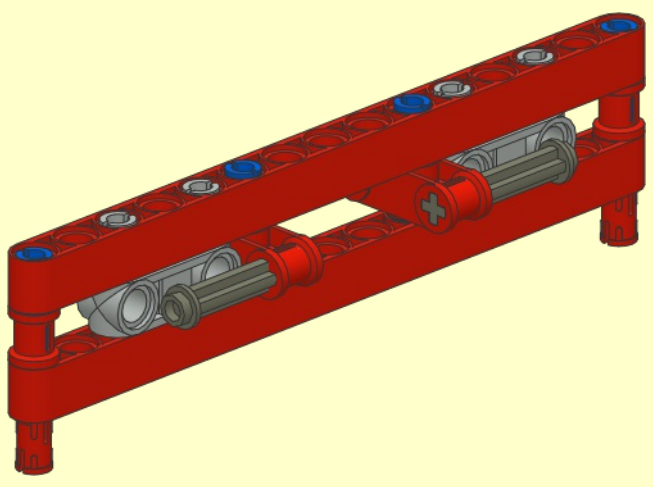


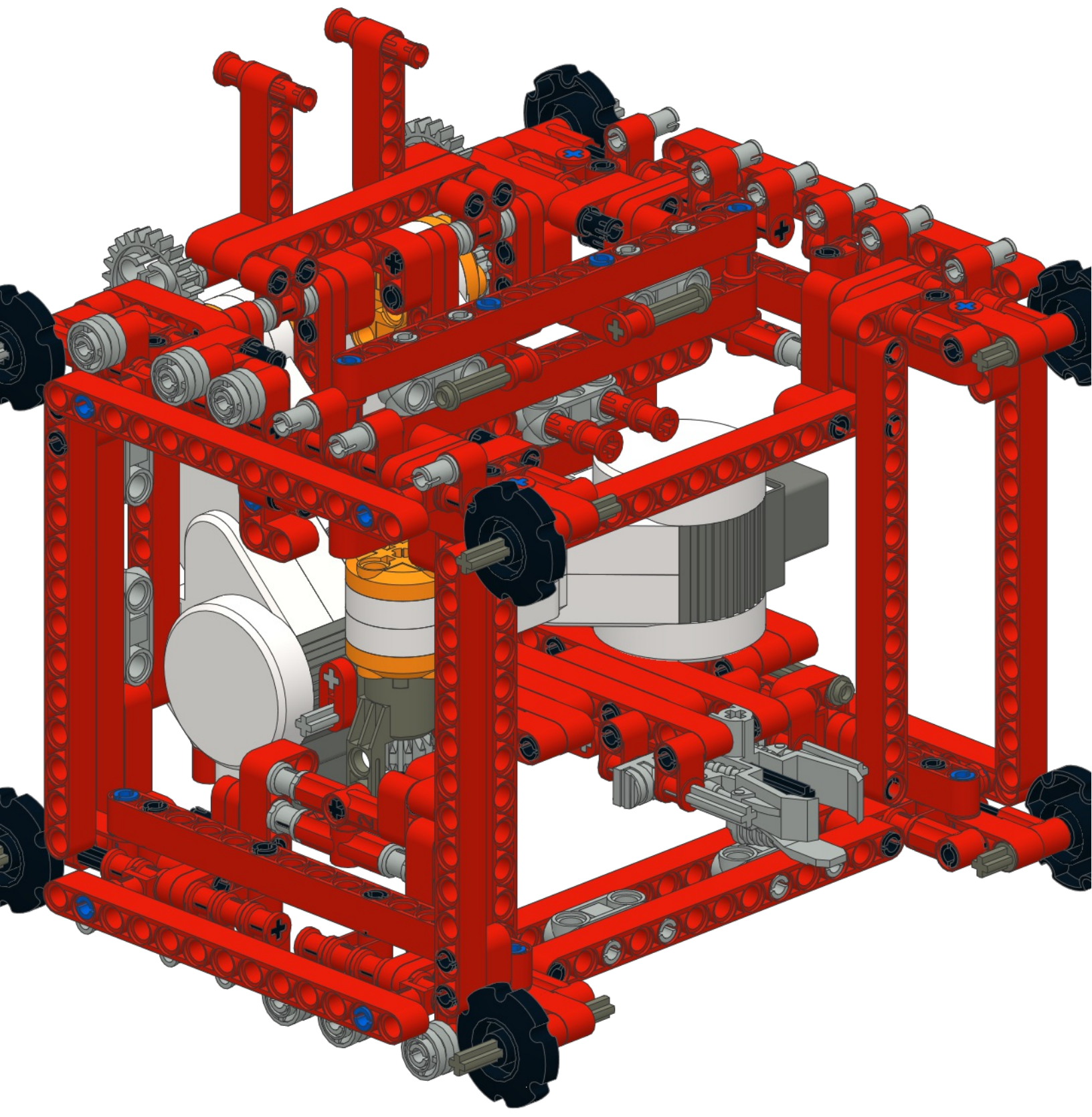
6

15

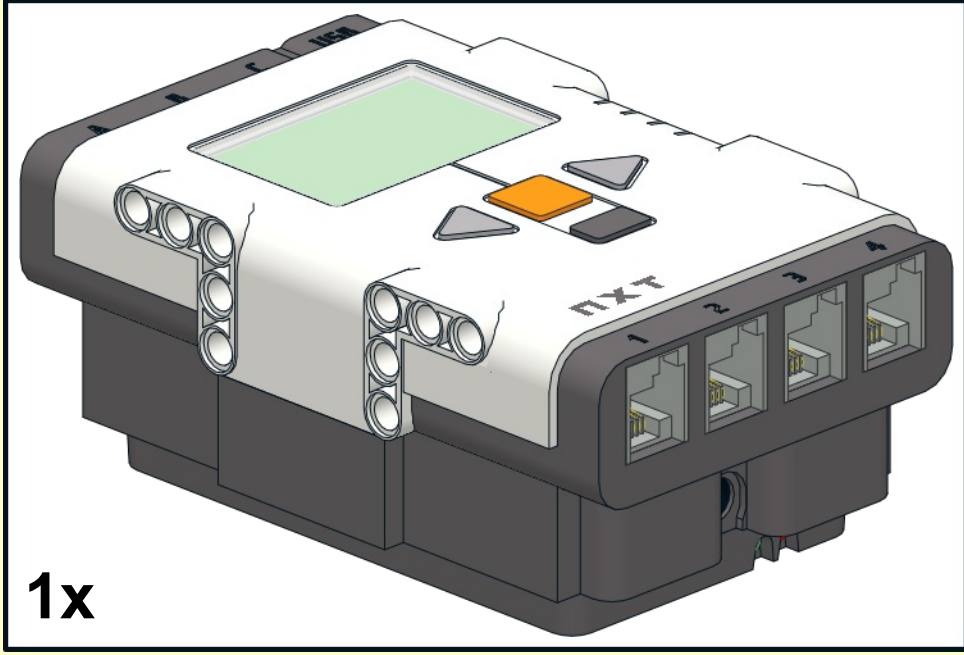


1x

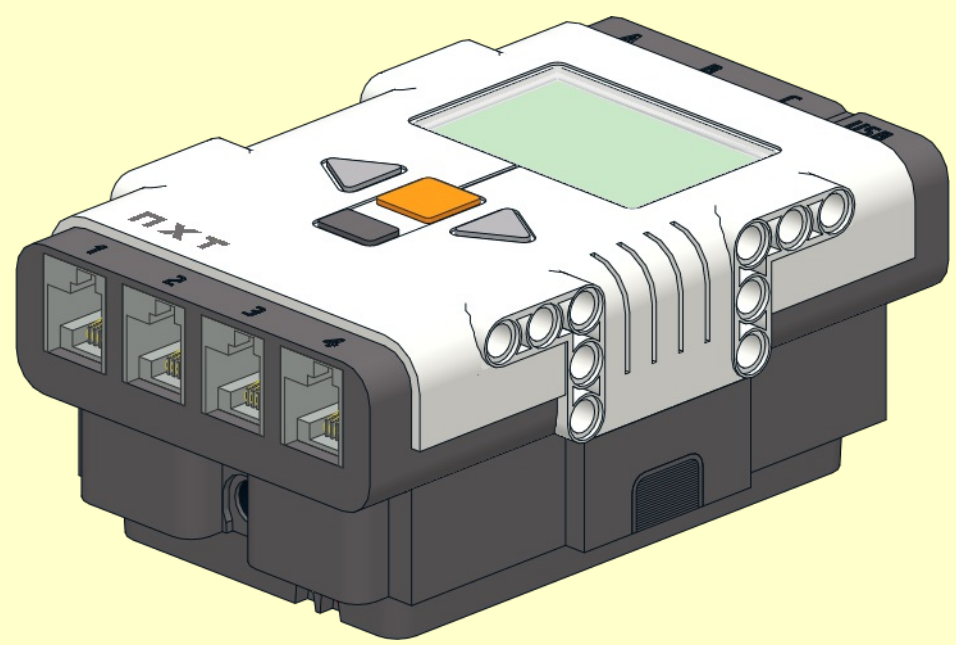




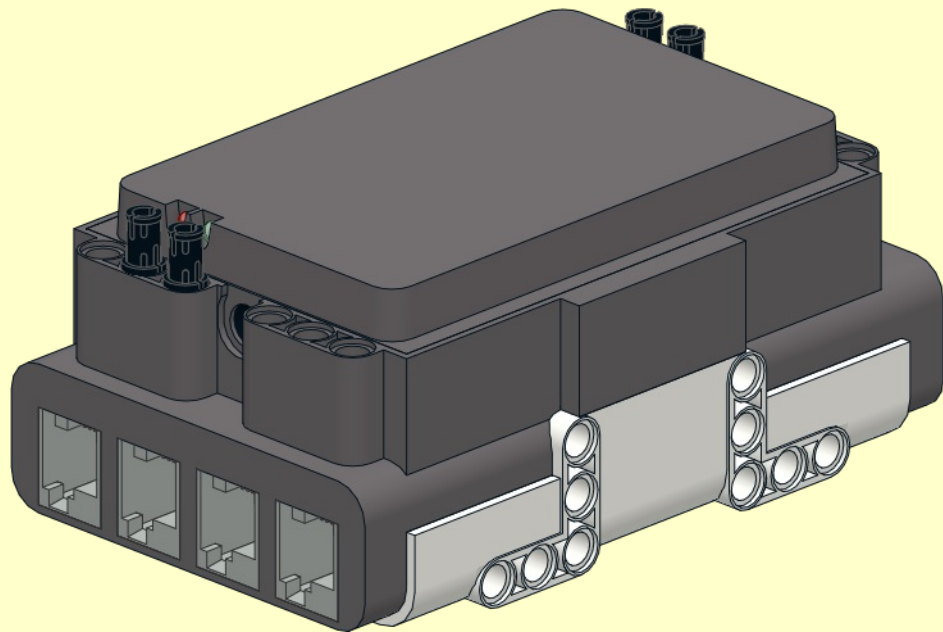
1

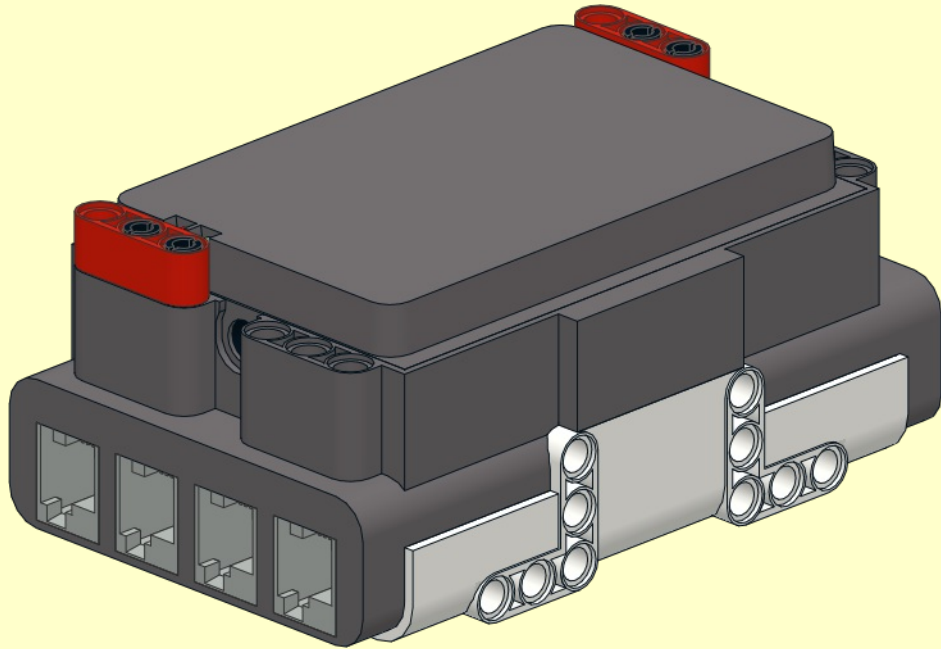
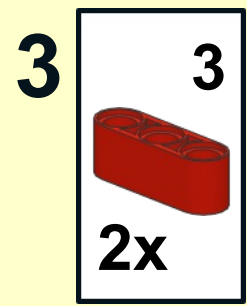


1x

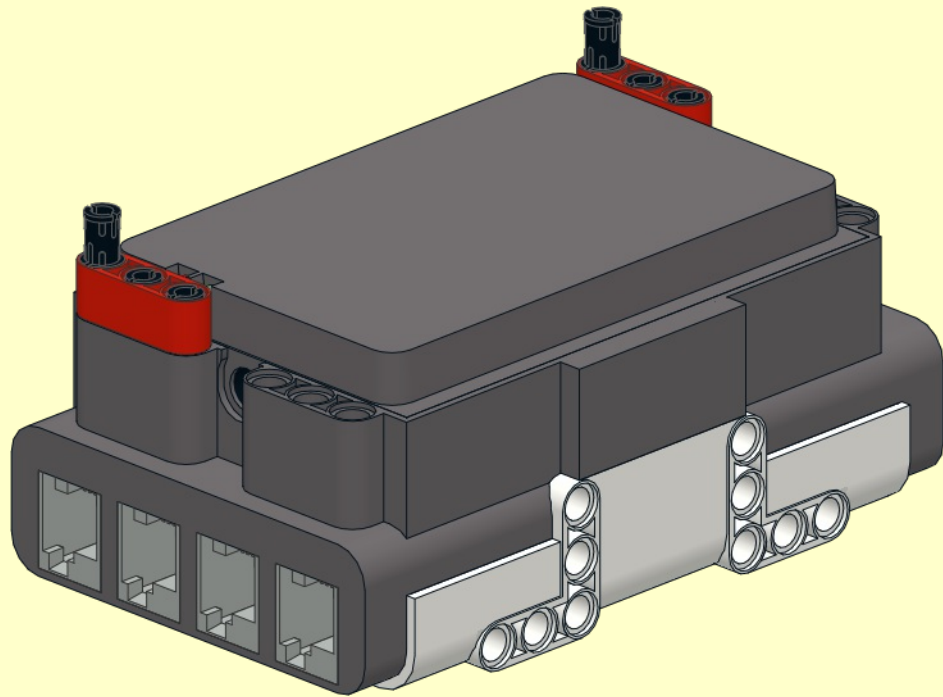


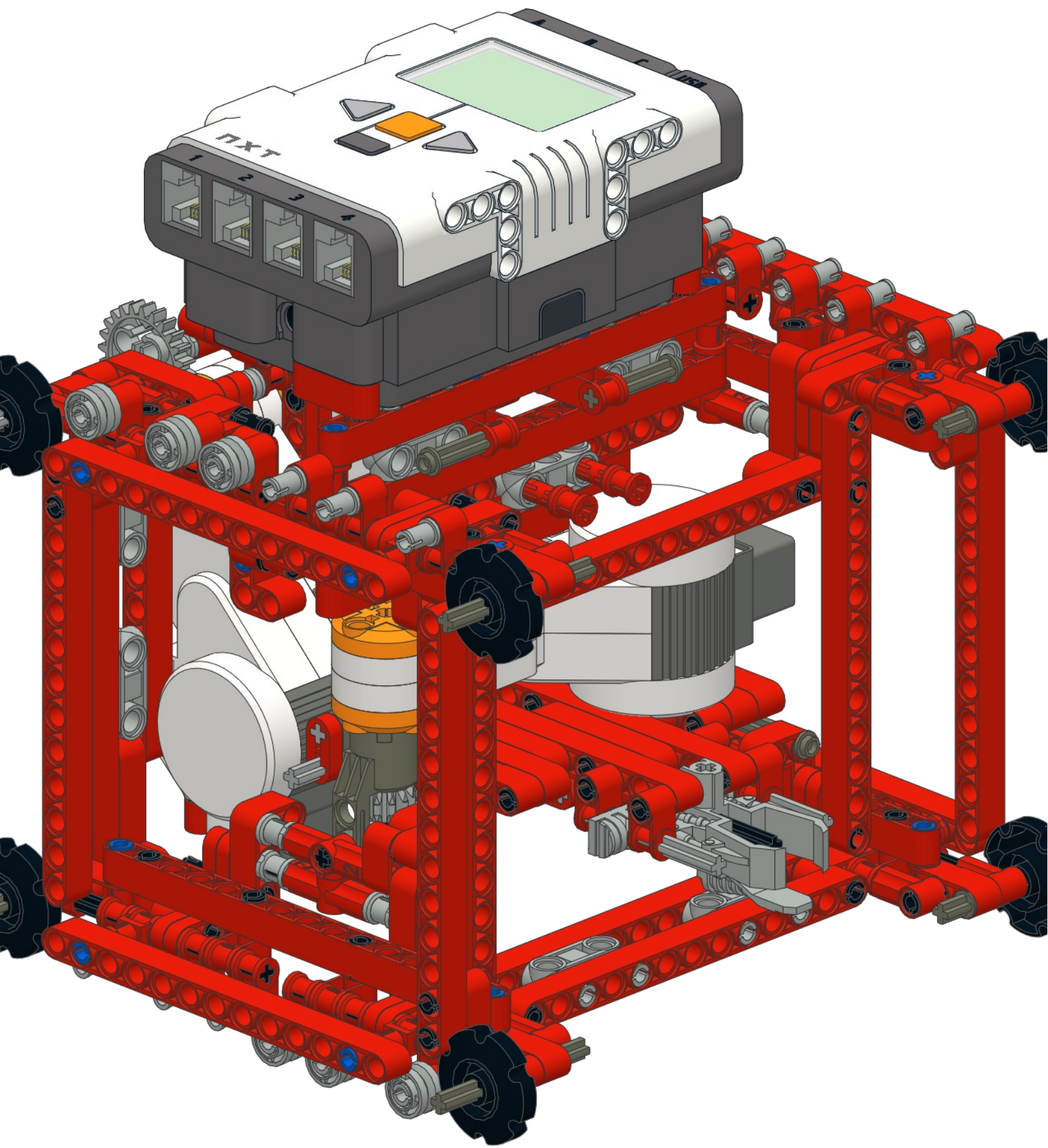
2
4x



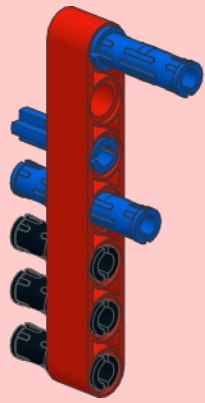
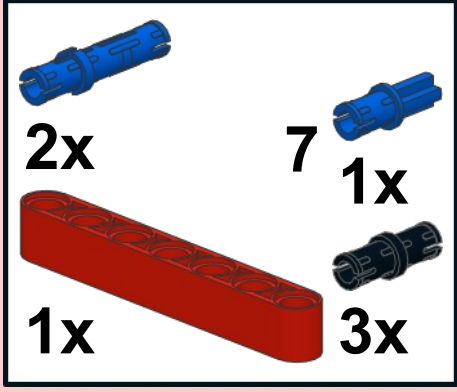


4
2x

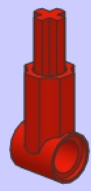
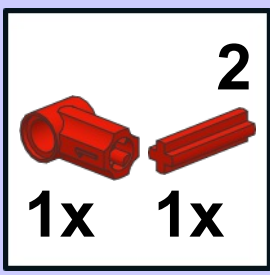


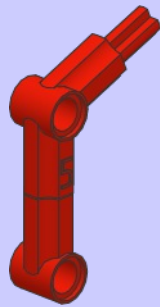
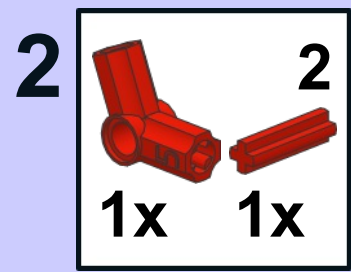


1



1

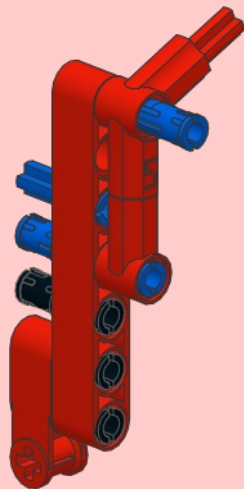


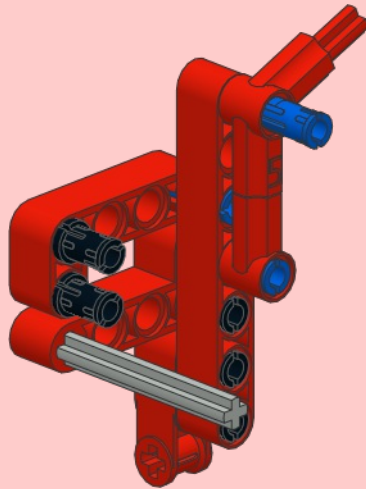
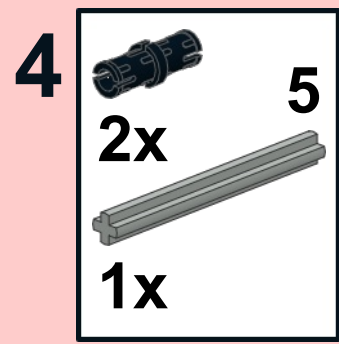


2



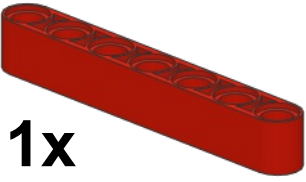
1x



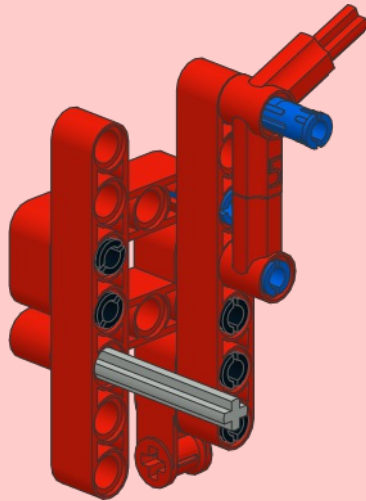


5

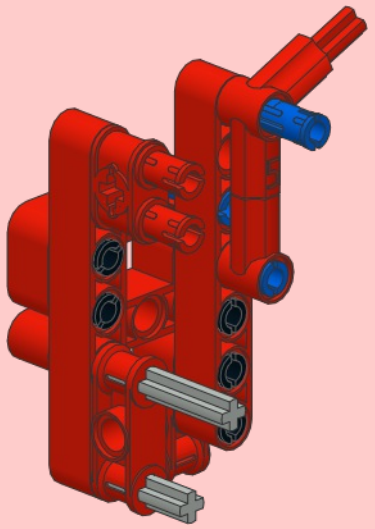
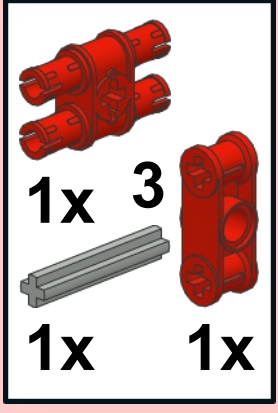
7



1x

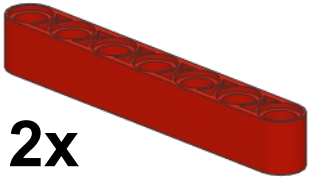


6

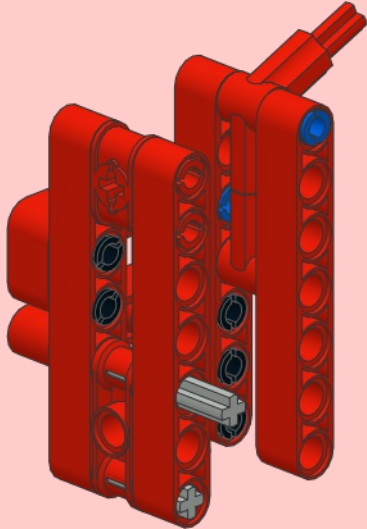


7

7



2x



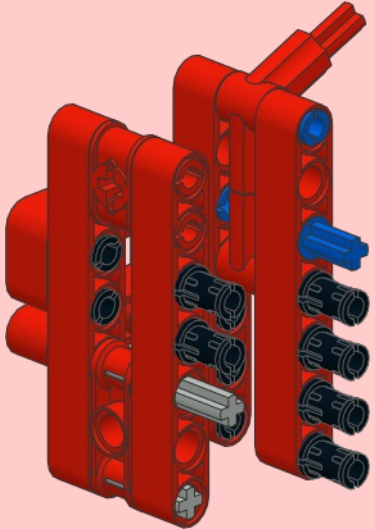
8



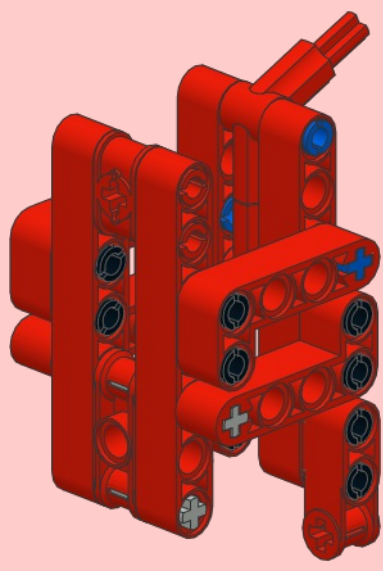
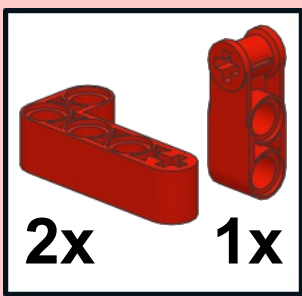
6x



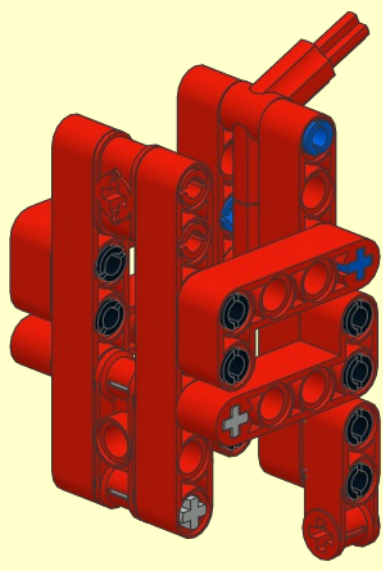
1x



9

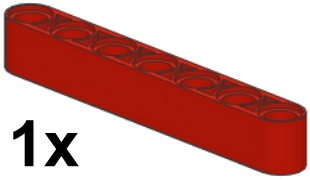


1

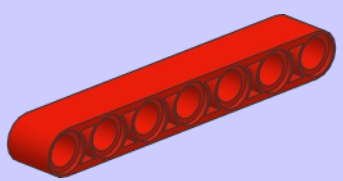


1

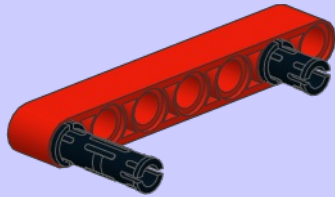
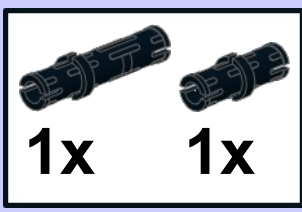
7

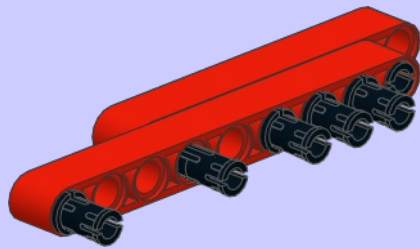
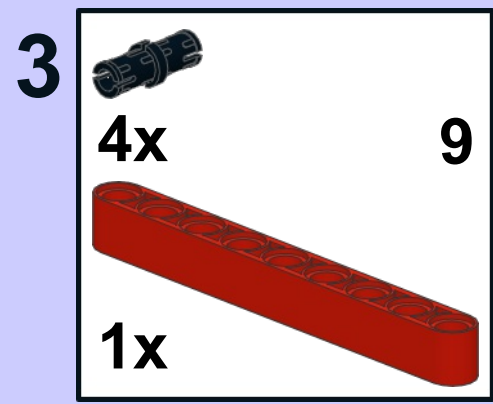


1x

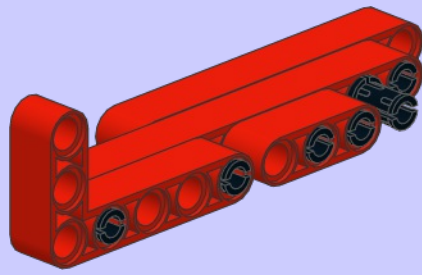
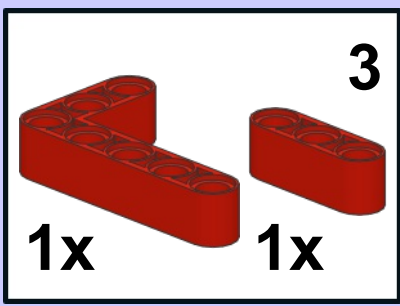


2

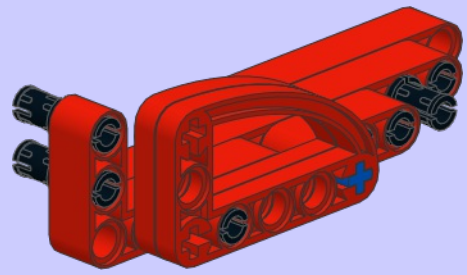
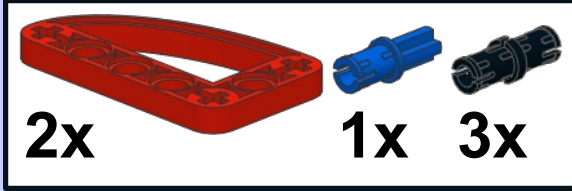




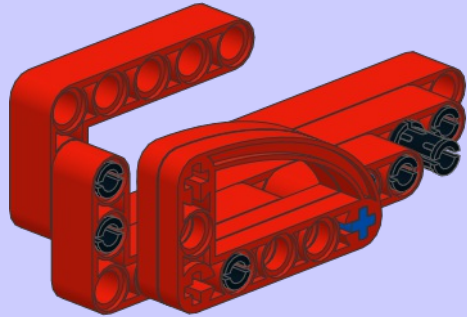
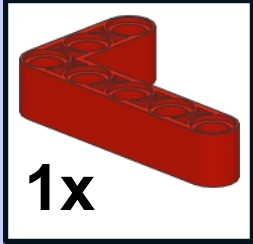
4



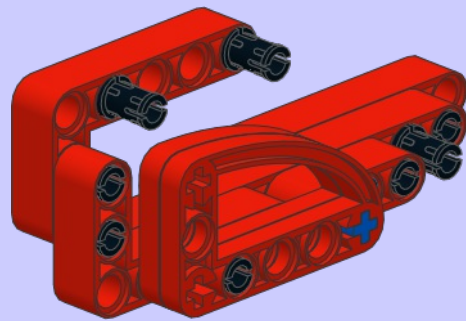
5



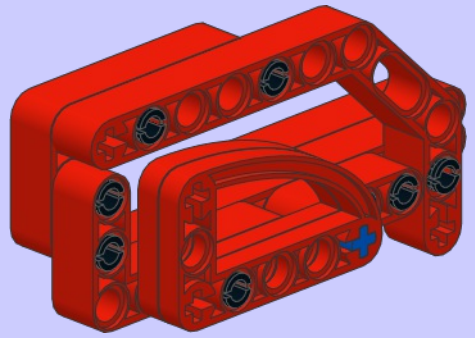
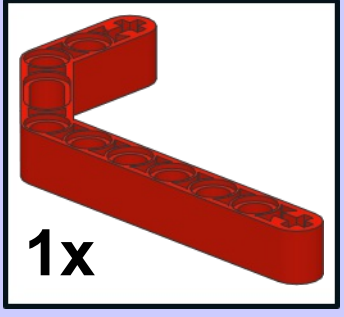
6



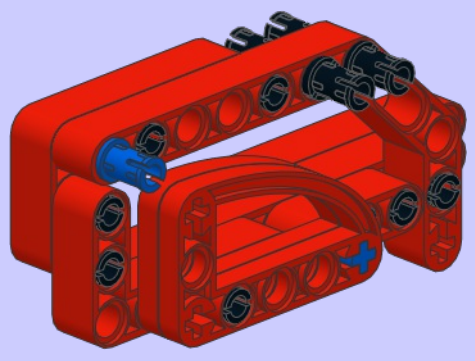
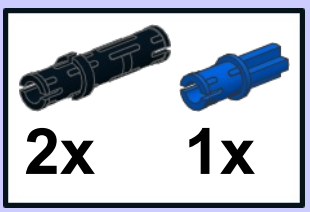
7  2x

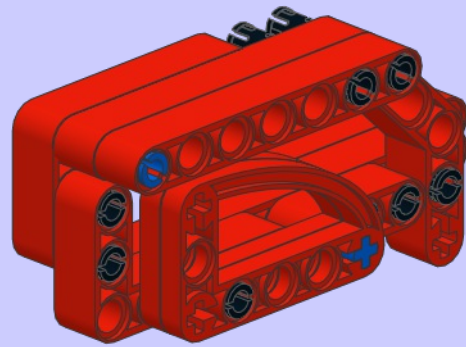
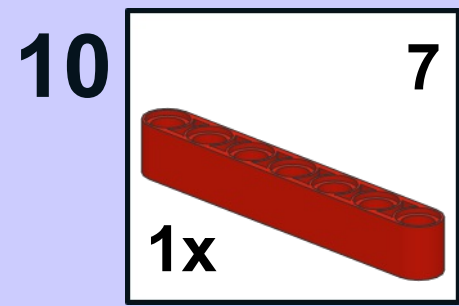


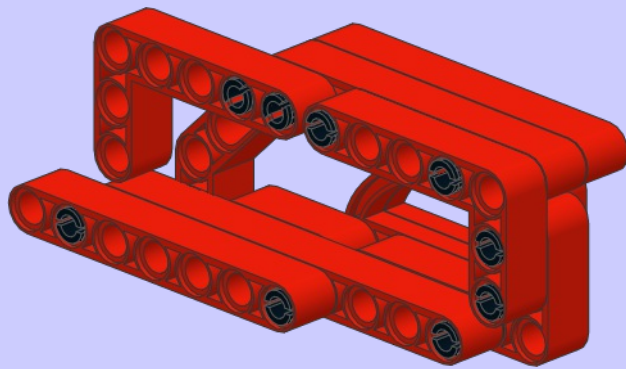
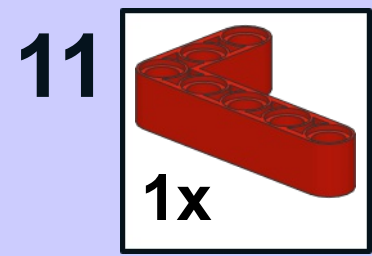
8



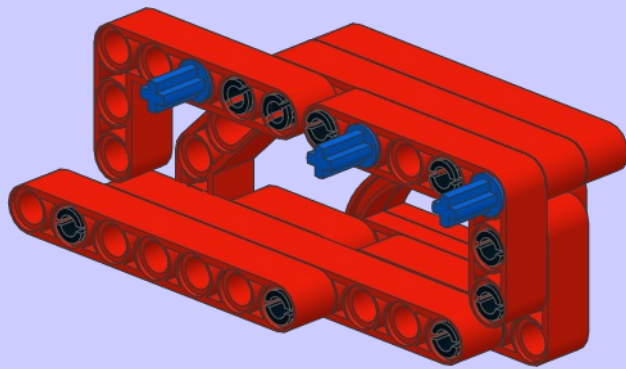
9

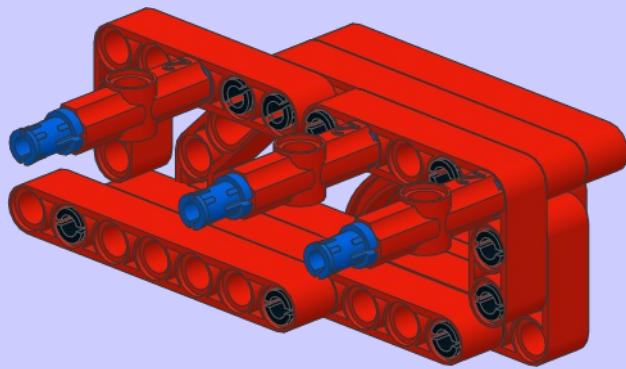




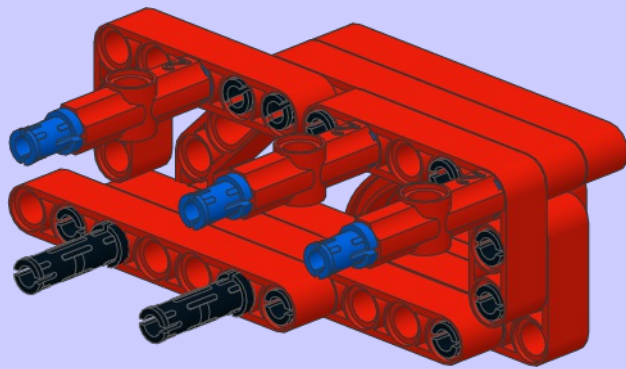


12  3x

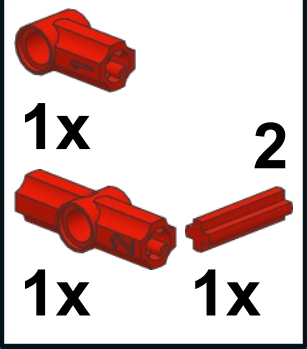




14  2x



15



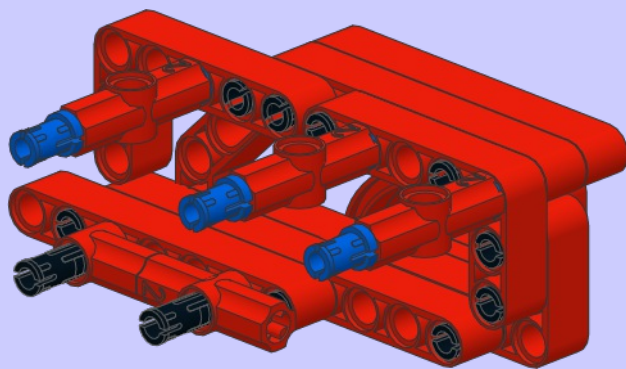
1x

2

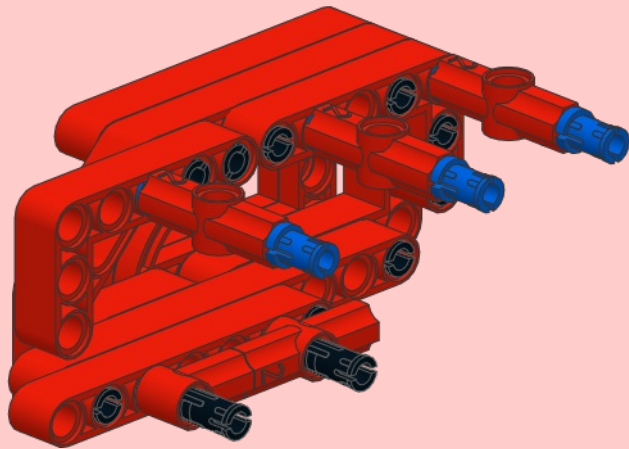
1x

1x

This block contains a parts list for step 15. It features a large number '15' in the top left corner. To its right, a white rectangular box with a black border contains four red LEGO parts. The first part is a 1x3 Technic axle with a hole at one end. Below it is the quantity '1x'. The second part is a 1x3 Technic axle with a hole at one end and a pin at the other. To its right is the quantity '2'. The third part is a 1x3 Technic axle with a hole at one end and a pin at the other. Below it is the quantity '1x'. The fourth part is a 1x3 Technic axle with a hole at one end and a pin at the other. Below it is the quantity '1x'.

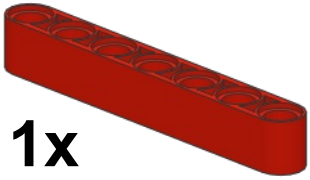


1

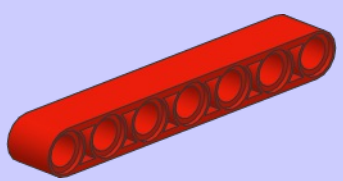


1

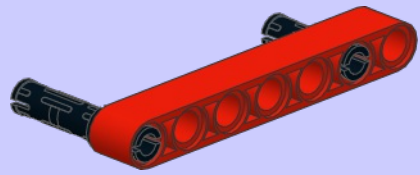
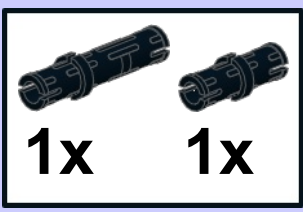
7



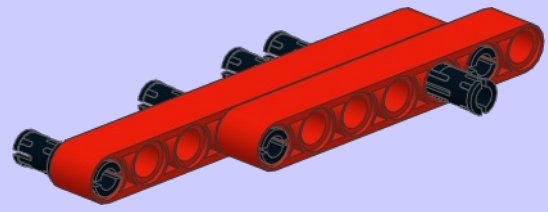
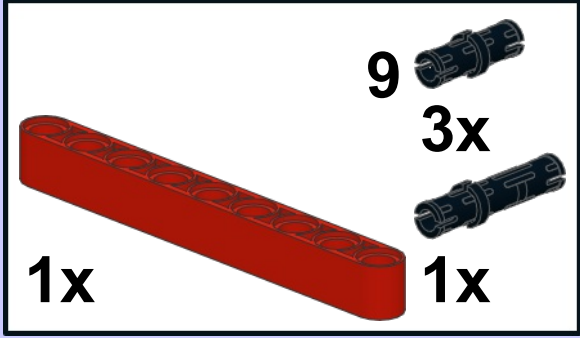
1x



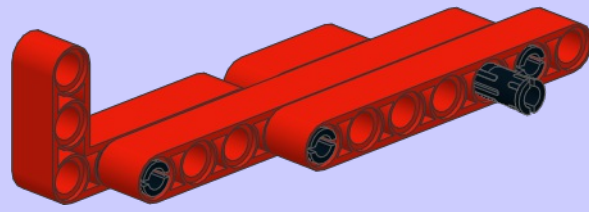
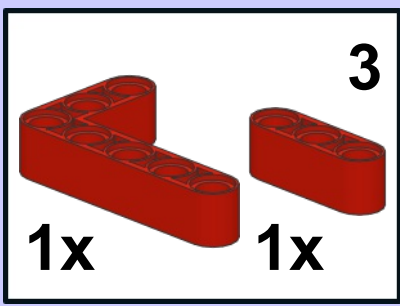
2



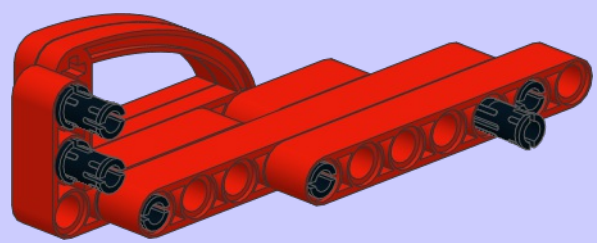
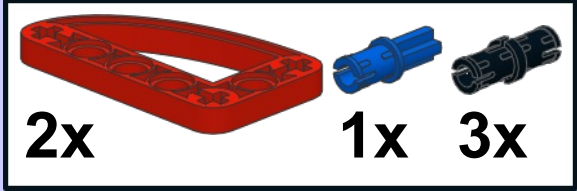
3



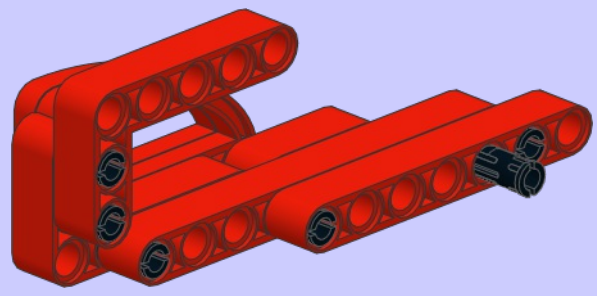
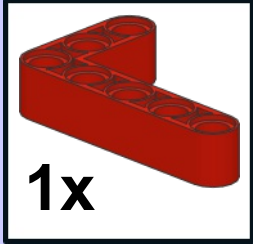
4



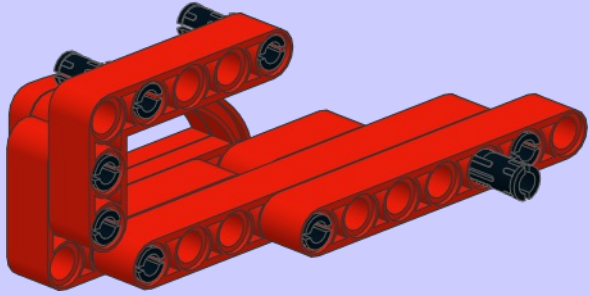
5



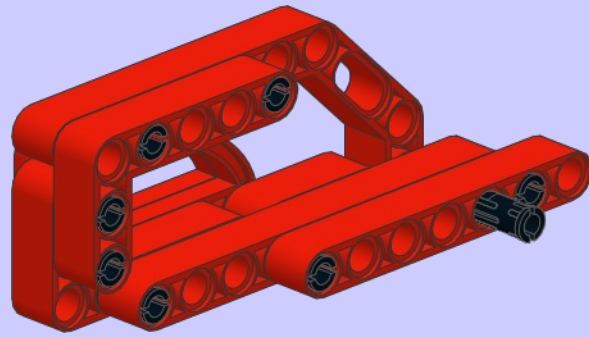
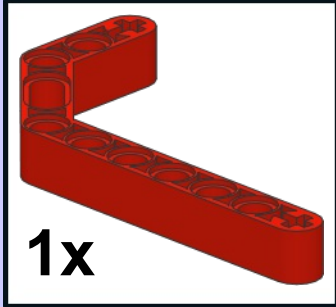
6



7



8



9

